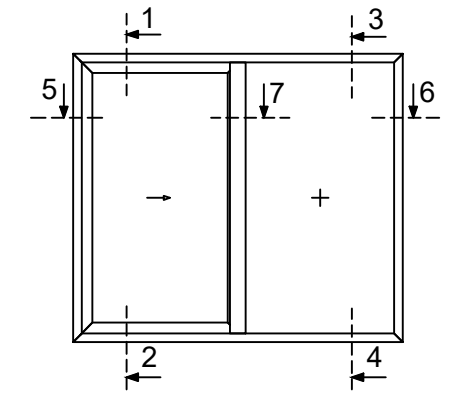


PRODUCT SERIES:

**DEFENDER 76ES**

DOOR CONFIGURATIONS  
(AS VIEWED FROM EXTERIOR)

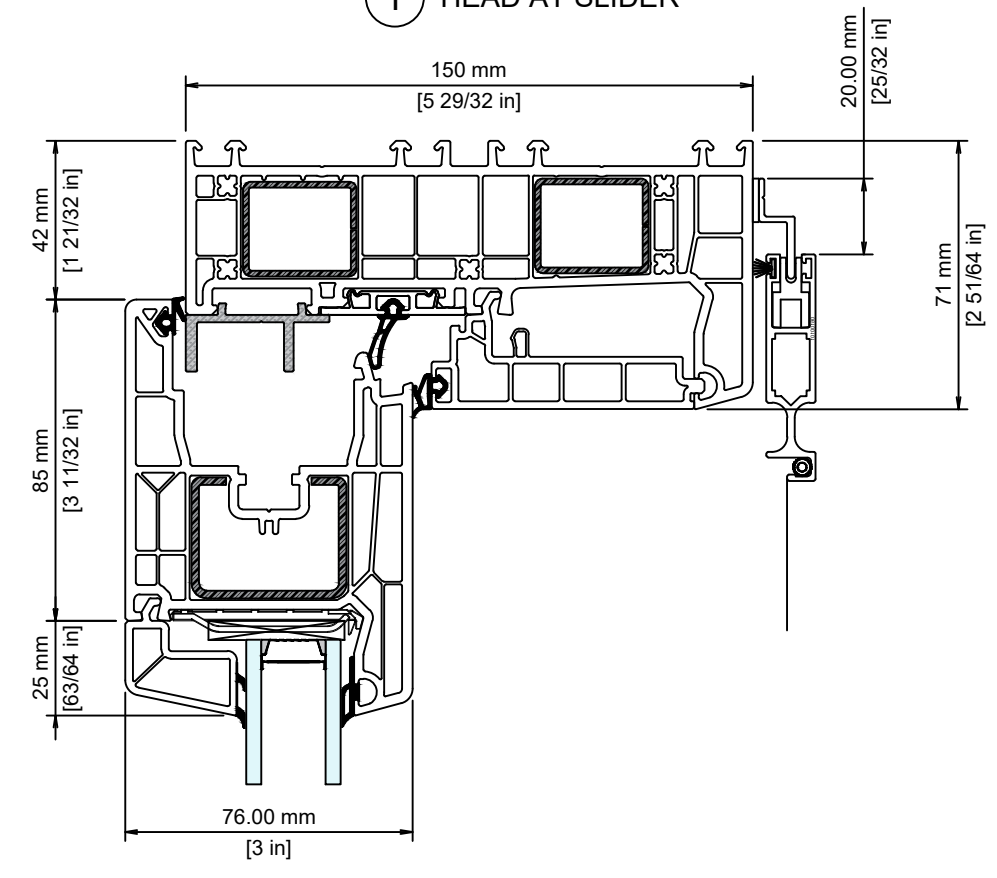
☒ Door Indicated in Closed Position



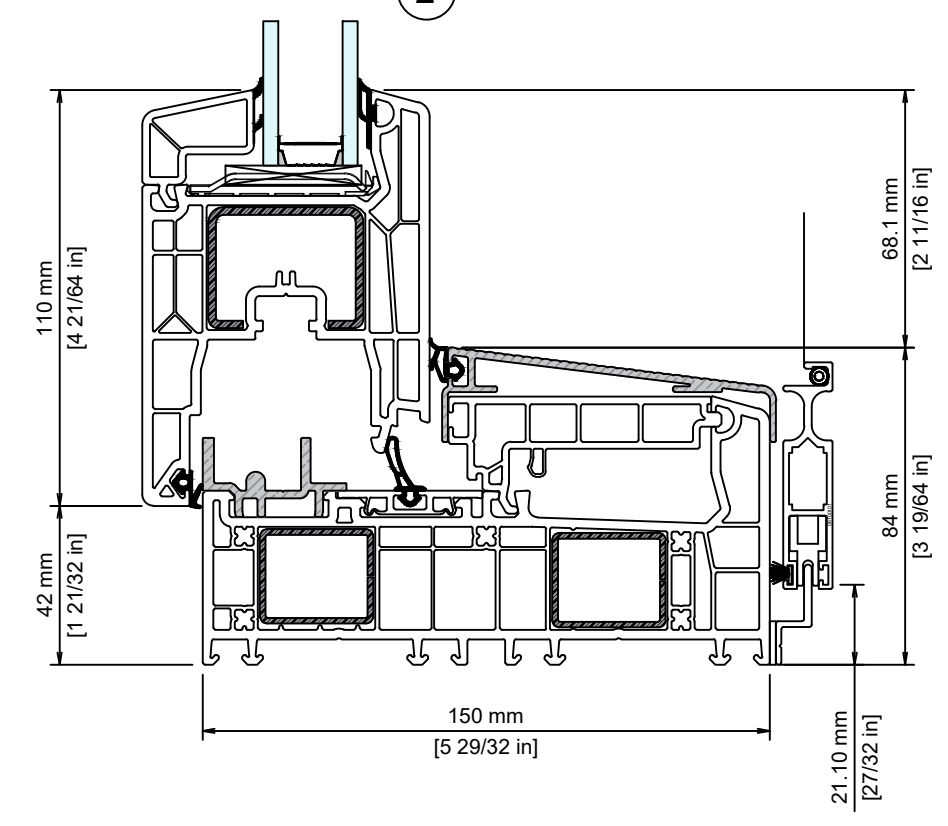
REVISIONS

NO.	DATE	DESCRIPTION
1	-	Initial drawings
2	25-SEP-08	Clear Opening, Screen Details and Formatting

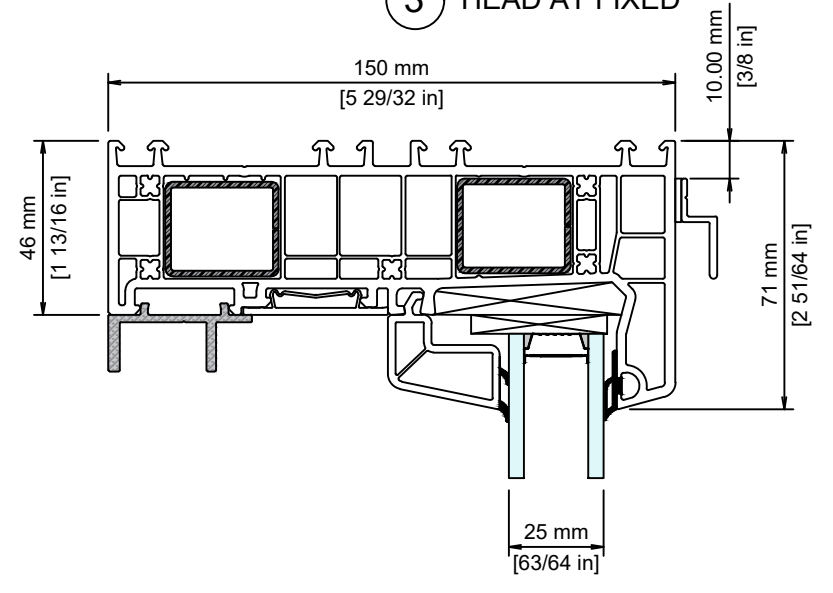
① HEAD AT SLIDER



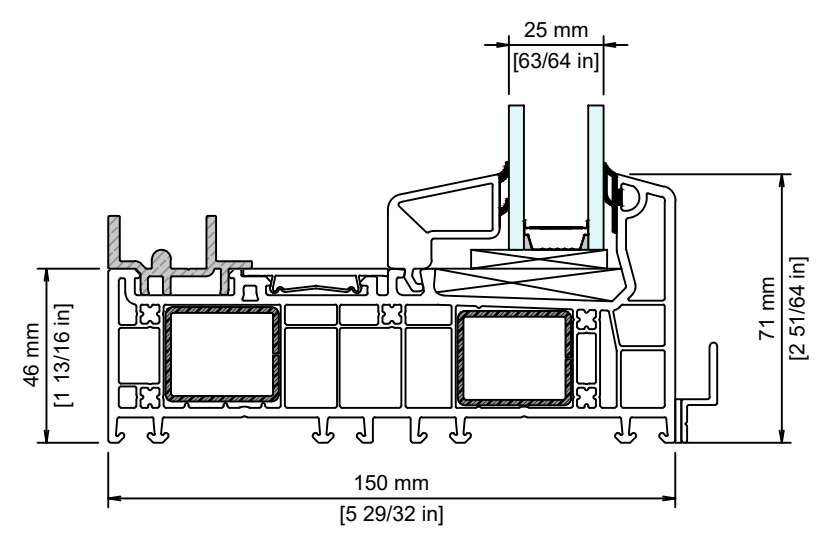
② SILL AT SLIDER



③ HEAD AT FIXED



④ SILL AT FIXED

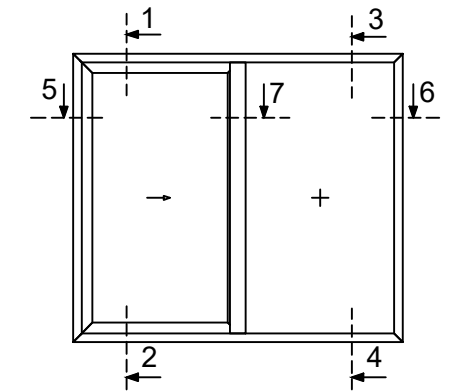


PRODUCT SERIES:

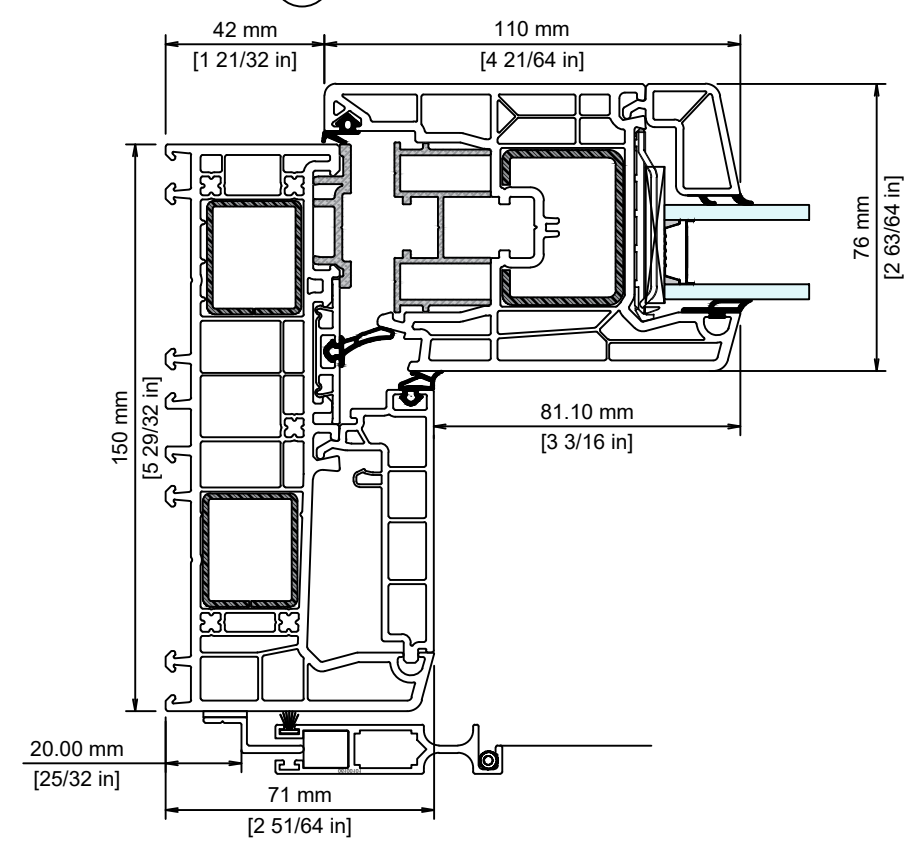
**DEFENDER 76ES**

DOOR CONFIGURATIONS  
(AS VIEWED FROM EXTERIOR)

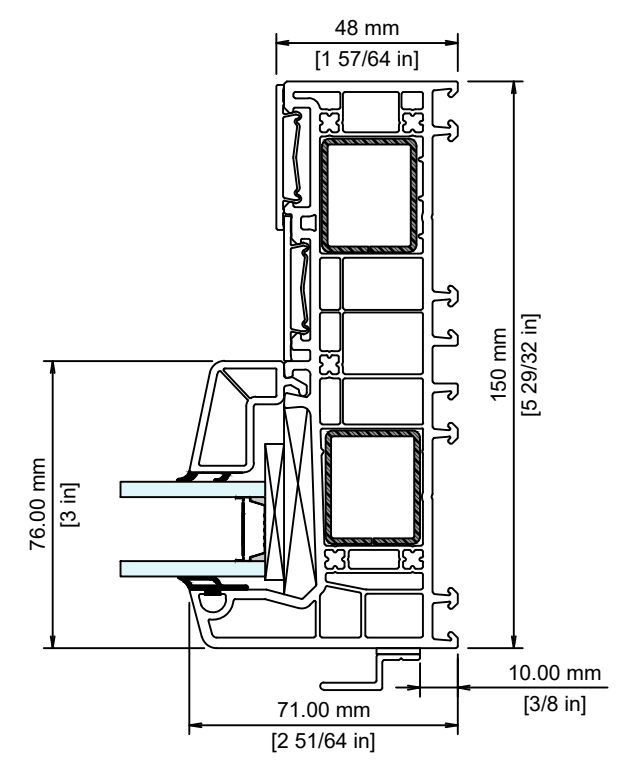
☒ Door Indicated in Closed Position



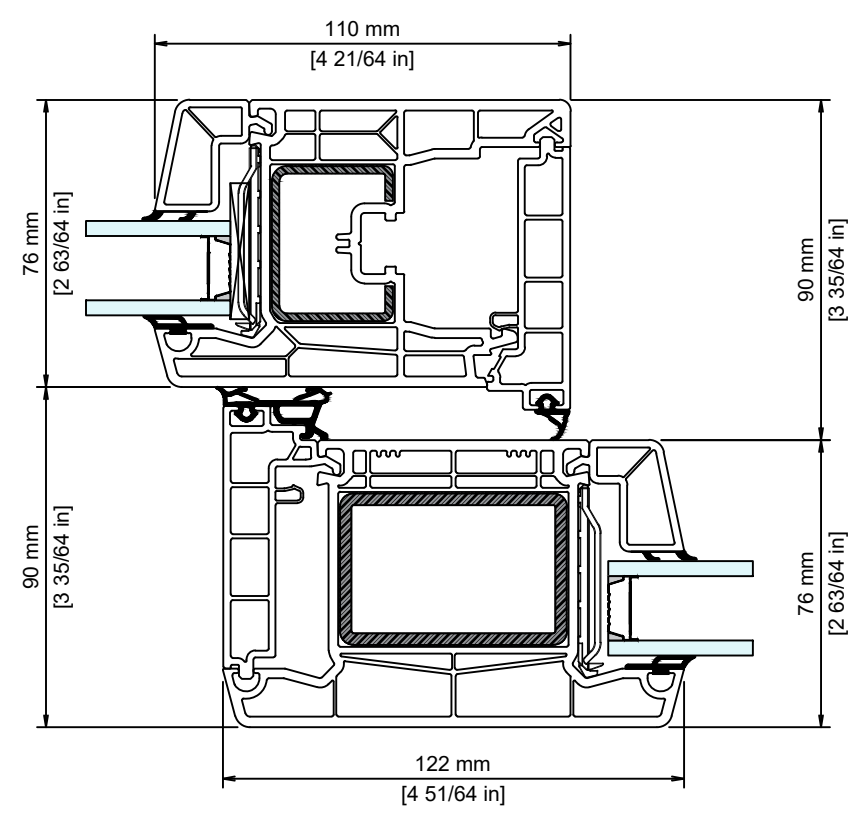
**5 JAMB AT SLIDER**



**6 JAMB AT FIXED**

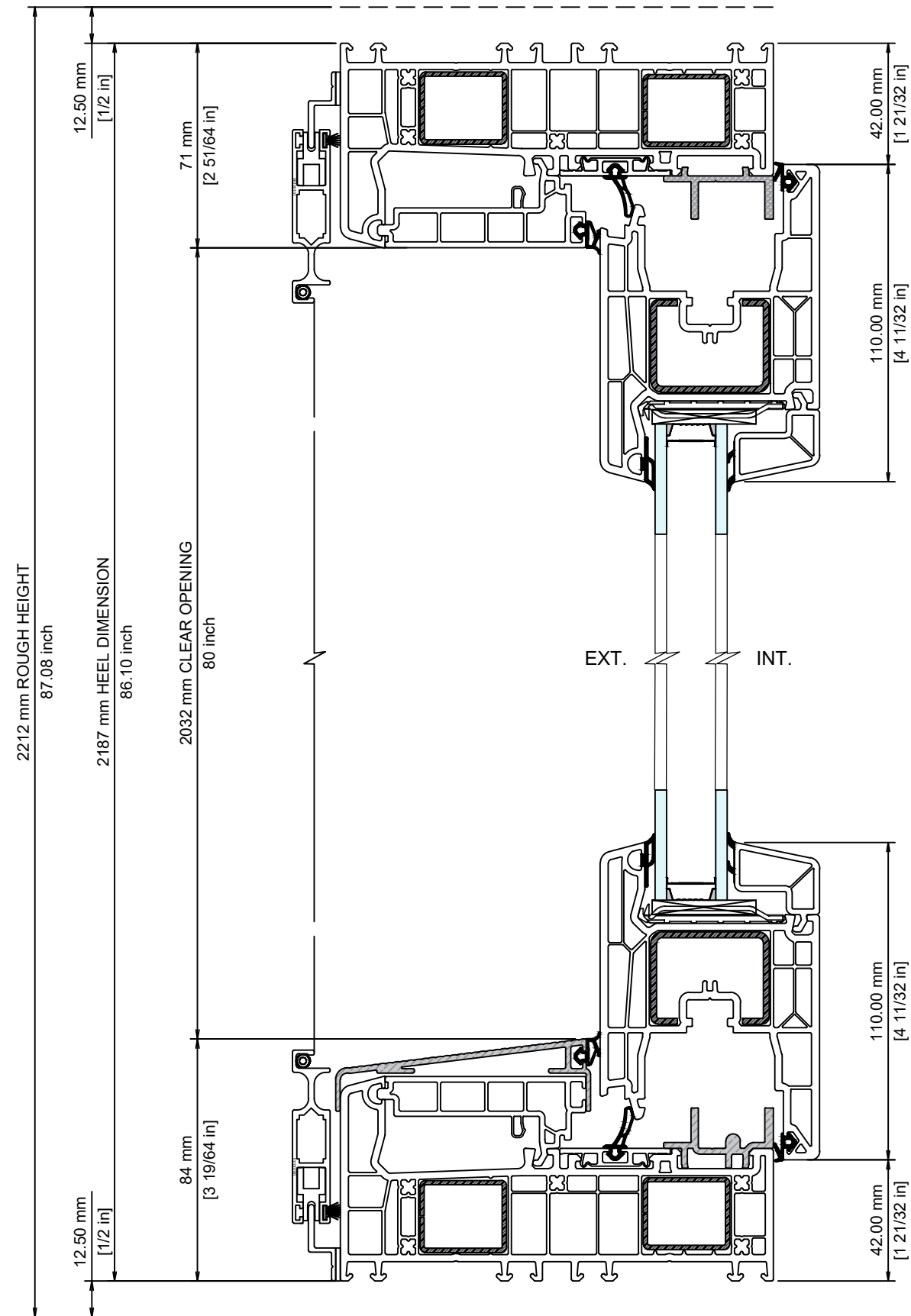


**7 MULLION INTERLOCK**



REVISIONS

NO.	DATE	DESCRIPTION
1	-	Initial drawings
2	25-SEP-08	Clear Opening, Screen Details and Formatting



① HEAD AT SLIDER

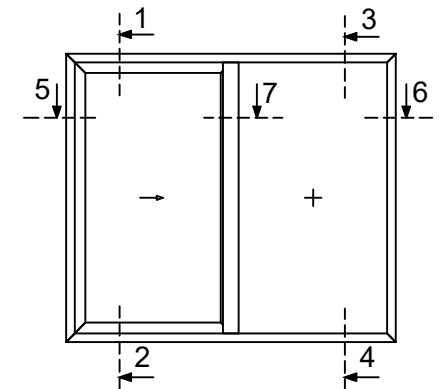
② SILL AT SLIDER

PRODUCT SERIES:

**DEFENDER 76ES**

DOOR CONFIGURATIONS  
(AS VIEWED FROM EXTERIOR)

☒ Door Indicated in Closed Position



REVISIONS

NO.	DATE	DESCRIPTION
1	-	Initial drawings
2	25-SEP-08	Clear Opening, Screen Details and Formatting

DRAWING TYPE: 76 EASY SLIDE

PAGE:

GLASS: DOUBLE

SCALE: 1:2

DRAWN BY:  
J. IMBERY  
E. DORI

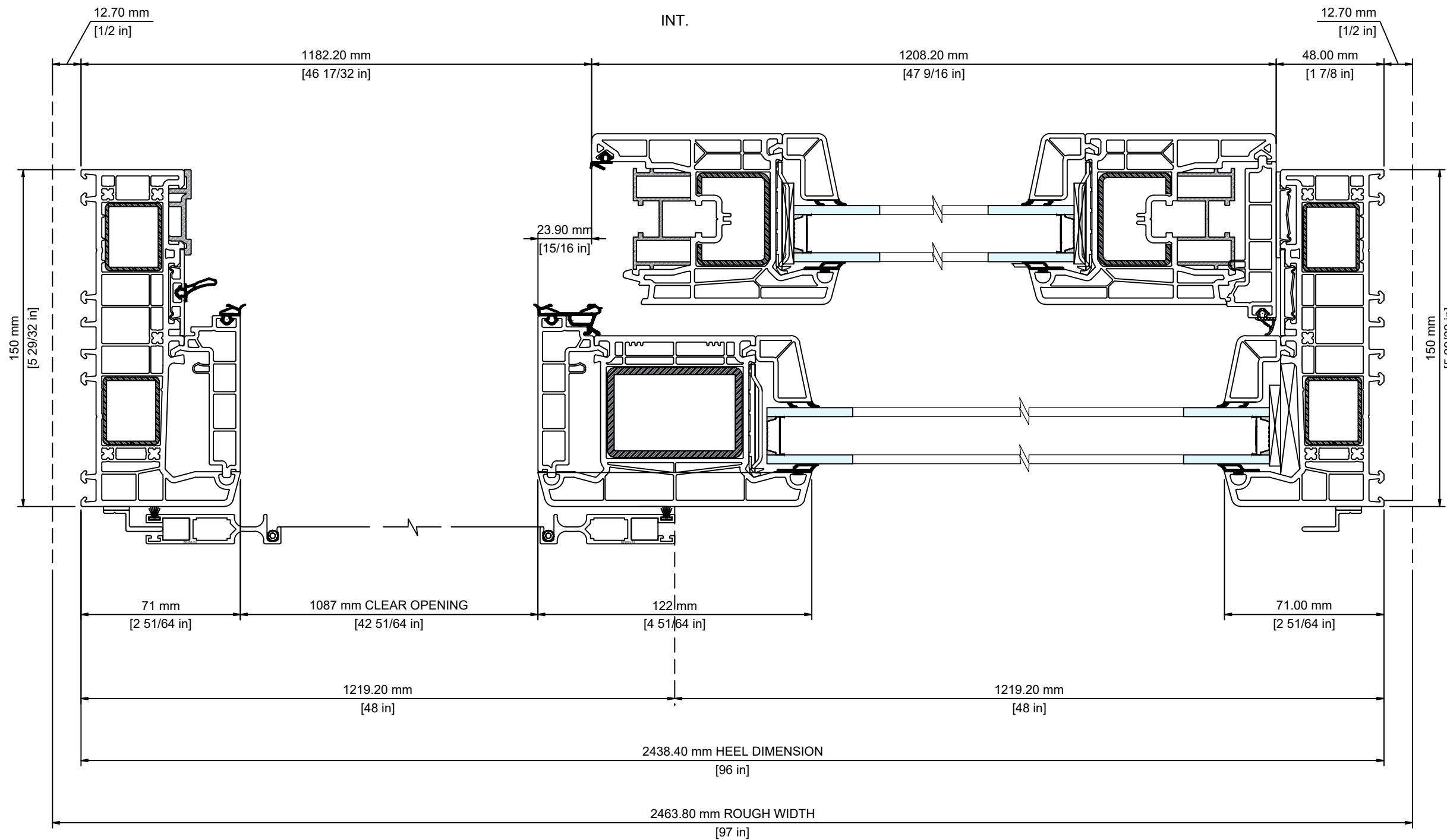
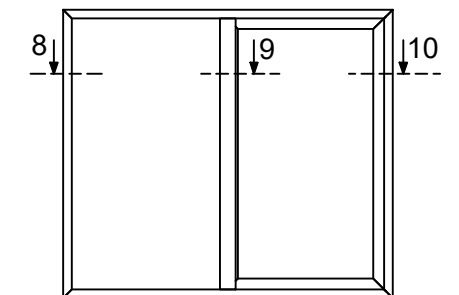
3 of 4

PRODUCT SERIES:

**DEFENDER 76ES**

DOOR CONFIGURATIONS  
(AS VIEWED FROM EXTERIOR)

☒ Door Indicated in Open Position



8 JAMB Shown in Open Position

9 JAMB Shown in Open Position

10 JAMB Shown in Open Position

REVISIONS

NO.	DATE	DESCRIPTION
1	-	Initial drawings
2	25-SEP-08	Clear Opening, Screen Details and Formatting

DRAWING TYPE: 76 EASY SLIDE

PAGE:

GLASS: DOUBLE

SCALE: 1:2

DRAWN BY: J. IMBERY  
E. DORI

4 of 4