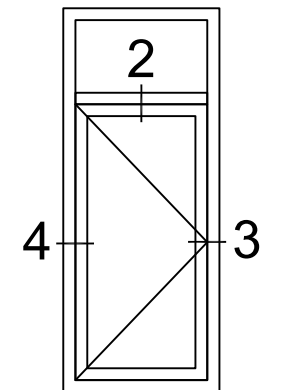
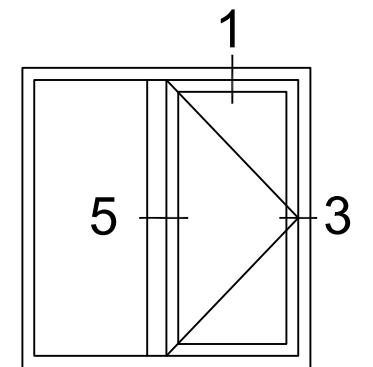


PRODUCT SERIES:

DEFENDER 76TS

DOOR CONFIGURATIONS
(AS VIEWED FROM EXTERIOR)



REVISIONS

NO.	DATE	DESCRIPTION
2.0	8/3/2023	UNITS OF MEASURE CHANGE
3.0	8/29/2024	RAIN DEFLECTOR ADDED TO ADA DOOR SILL
4.0	2/14/2025	THERMALLY BROKEN SASH STEEL ADDED
5.0	10/14/2025	ZERO COUPLER & HANDLE DETAIL ADDED
6.0	04/08/2026	CLEAR OPENING WIDTH: 850MM
7.0	5/13/2026	DIMENSIONS ADDED

DRAWING TYPE:
INSWING TERRACE SWING DOORS

PAGE:

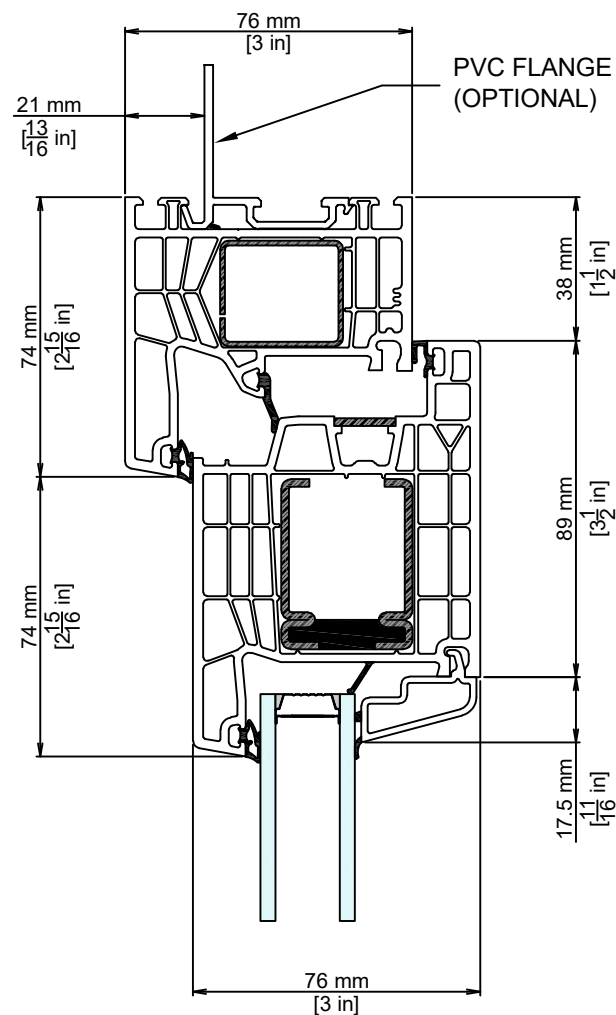
GLASS:
DOUBLE GLAZED

SCALE:
1:2

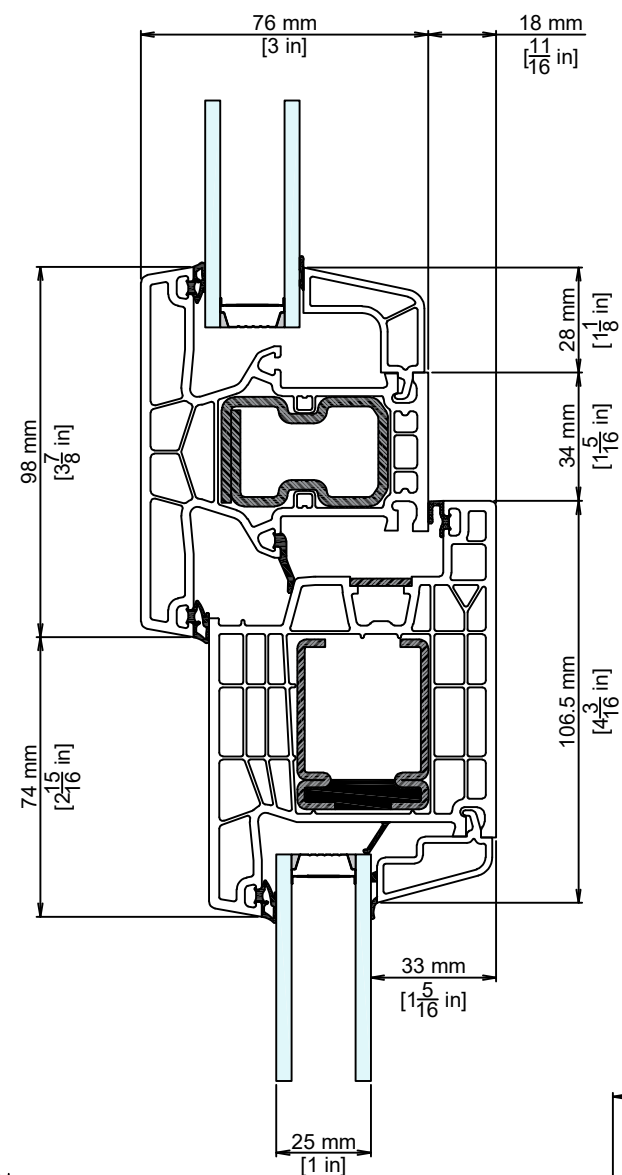
DRAWN BY:
J.IMBERY

1 of 6

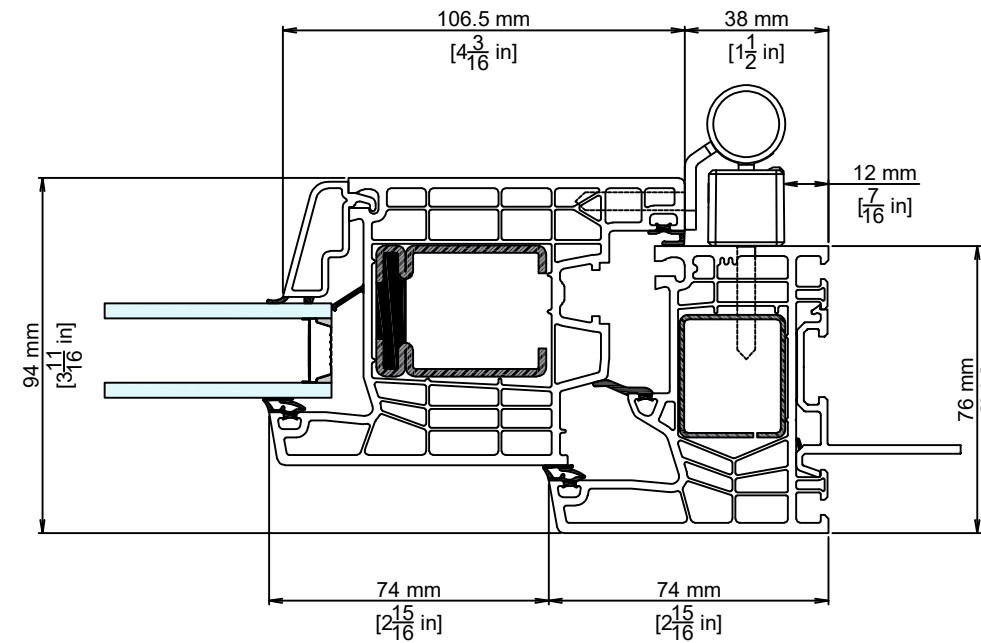
① HEAD AT SASH



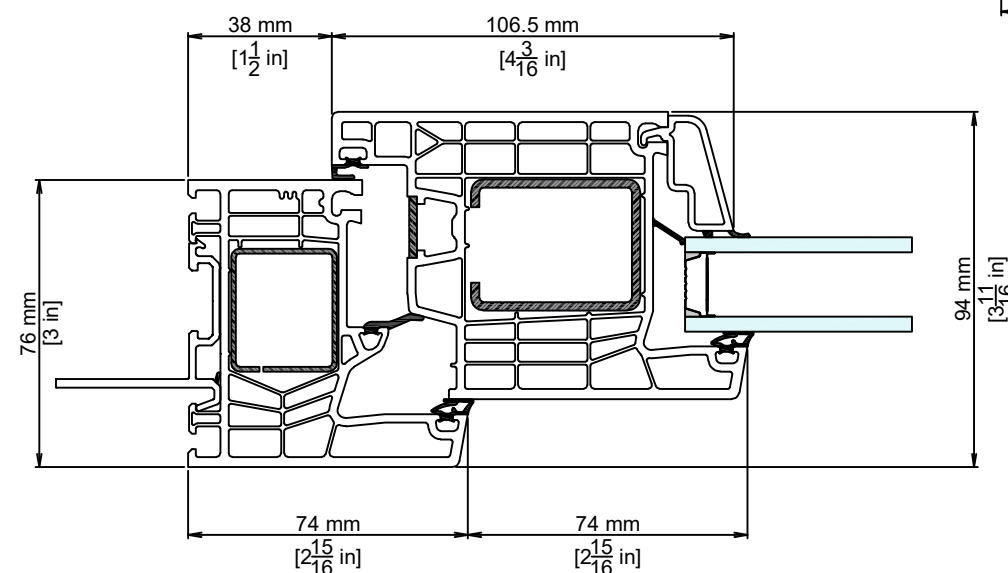
② T-MULLION AT SASH



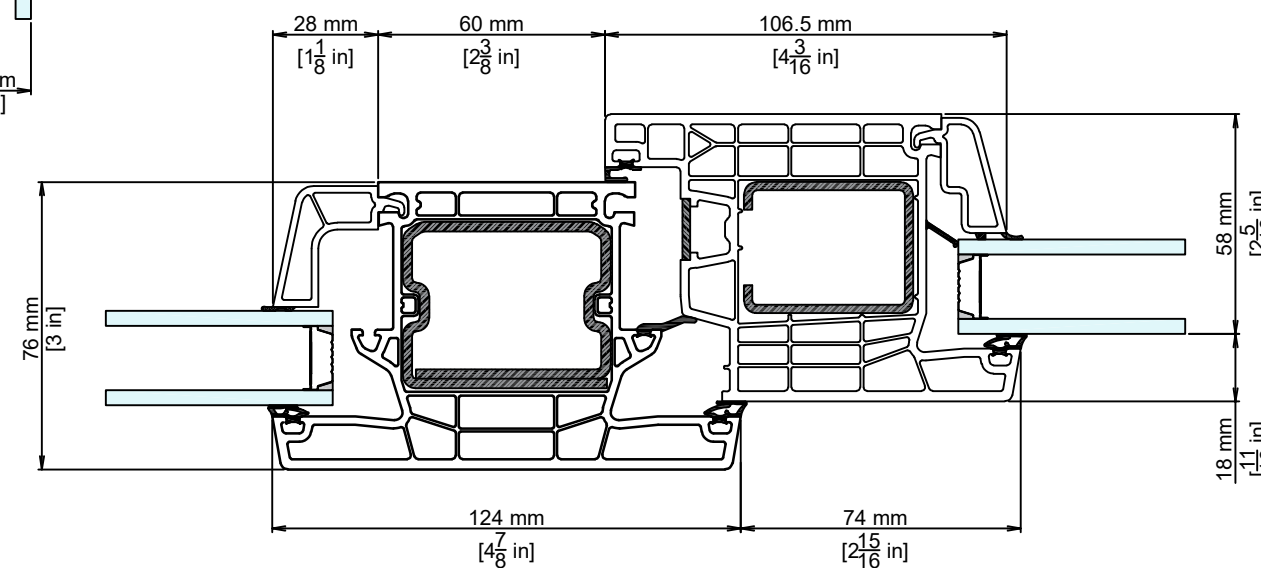
③ HINGE JAMB AT SASH



④ HANDLE JAMB AT SASH



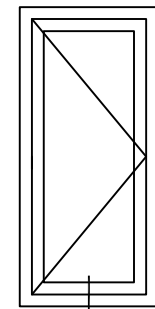
⑤ LARGE T-MULLION AT SASH



PRODUCT SERIES:

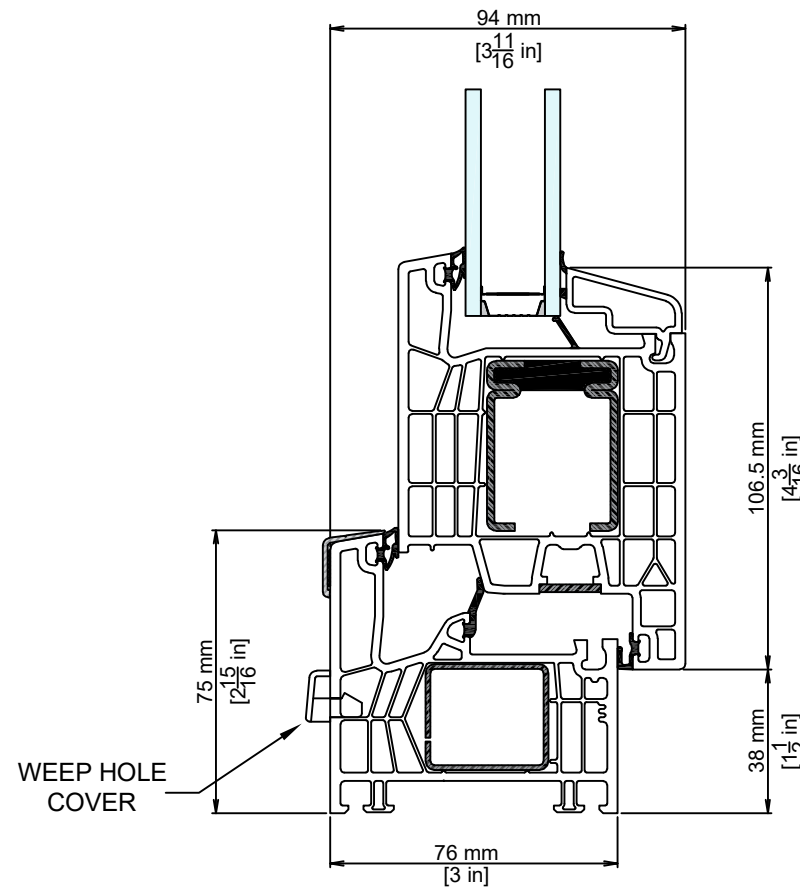
DEFENDER 76TS

DOOR CONFIGURATIONS
(AS VIEWED FROM EXTERIOR)

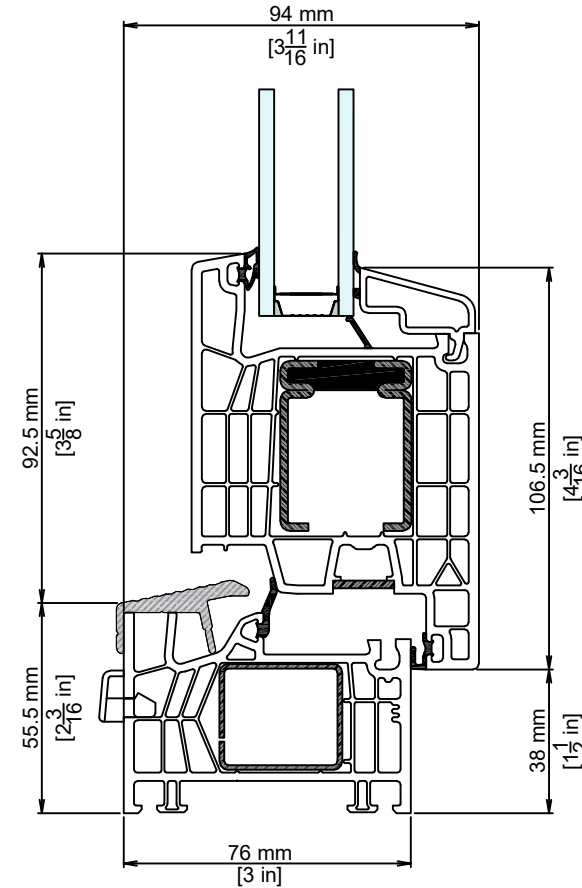


6,7,8,9,10,11

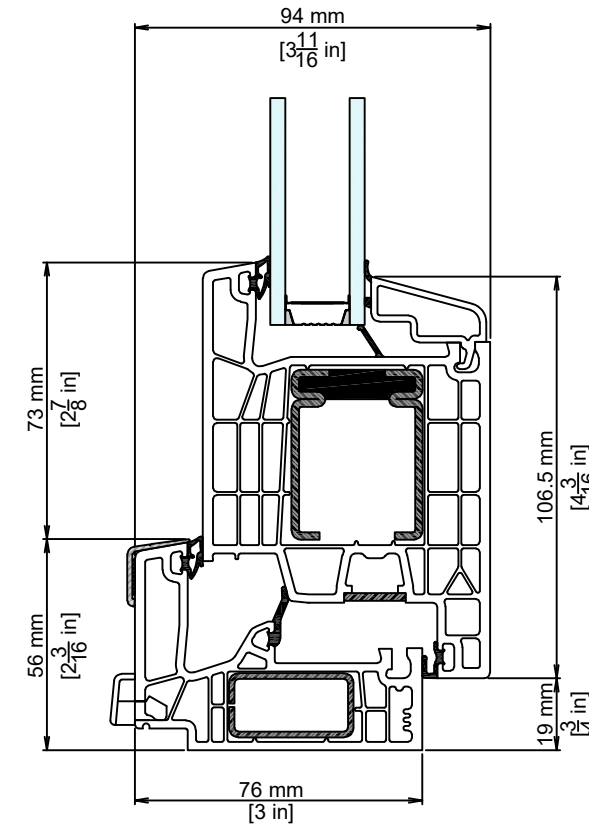
⑥ HIGH PERF. SILL AT SASH



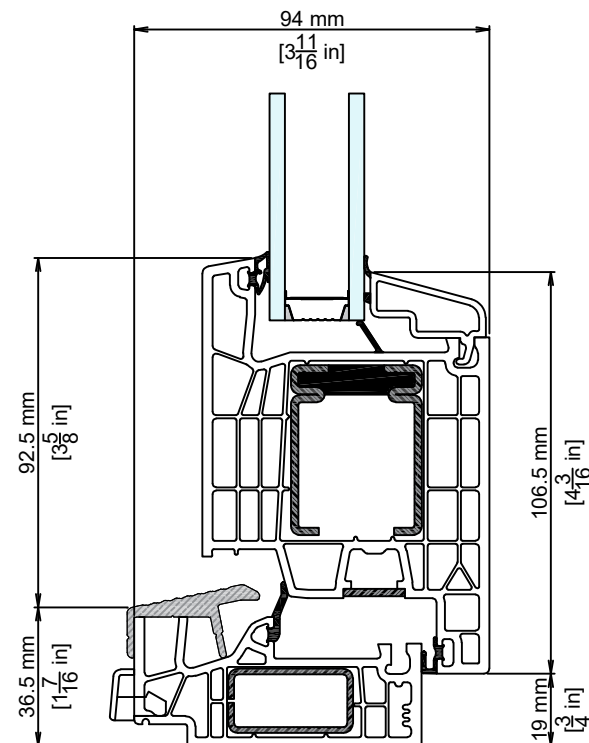
⑦ EASY ACCESS SILL AT SASH



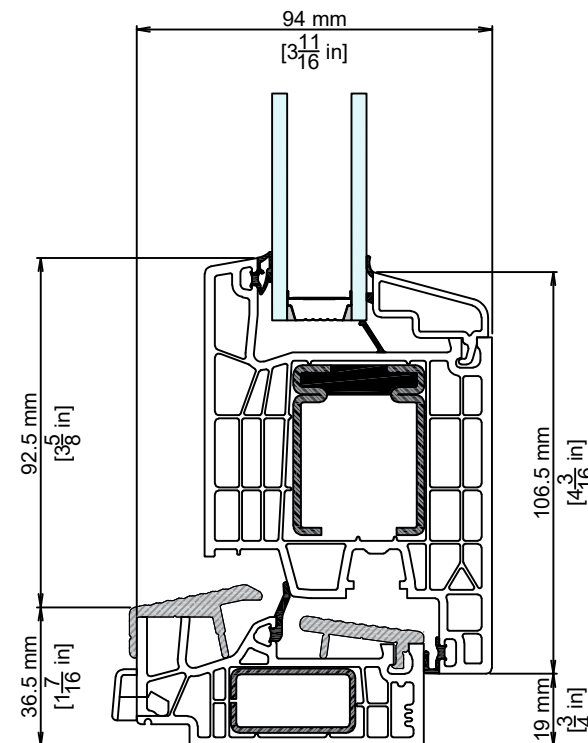
⑧ HIGH PERF. LOW SILL AT SASH



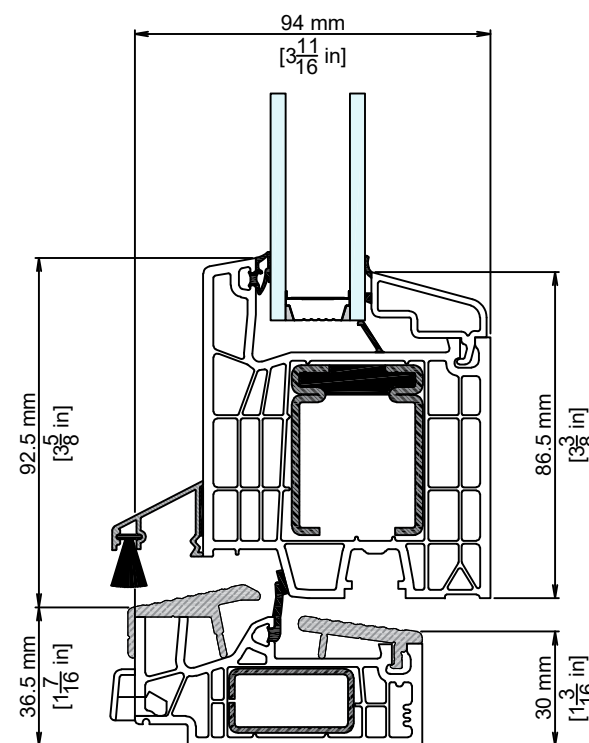
⑨ EASY ACCESS LOW SILL AT SASH



⑩ EASY ACCESS LOW SILL AT SASH
(QUICKLATCH HARDWARE)



⑪ ADA ADAPTABLE LOW SILL AT SASH



REVISIONS

NO.	DATE	DESCRIPTION
2.0	8/3/2023	UNITS OF MEASURE CHANGE
3.0	8/29/2024	RAIN DEFLECTOR ADDED TO ADA DOOR SILL
4.0	2/14/2025	THERMALLY BROKEN SASH STEEL ADDED
5.0	10/14/2025	ZERO COUPLER & HANDLE DETAIL ADDED
6.0	04/08/2026	CLEAR OPENING WIDTH: 850MM
7.0	5/13/2026	DIMENSIONS ADDED

DRAWING TYPE:
INSWING TERRACE SWING DOORS

PAGE:

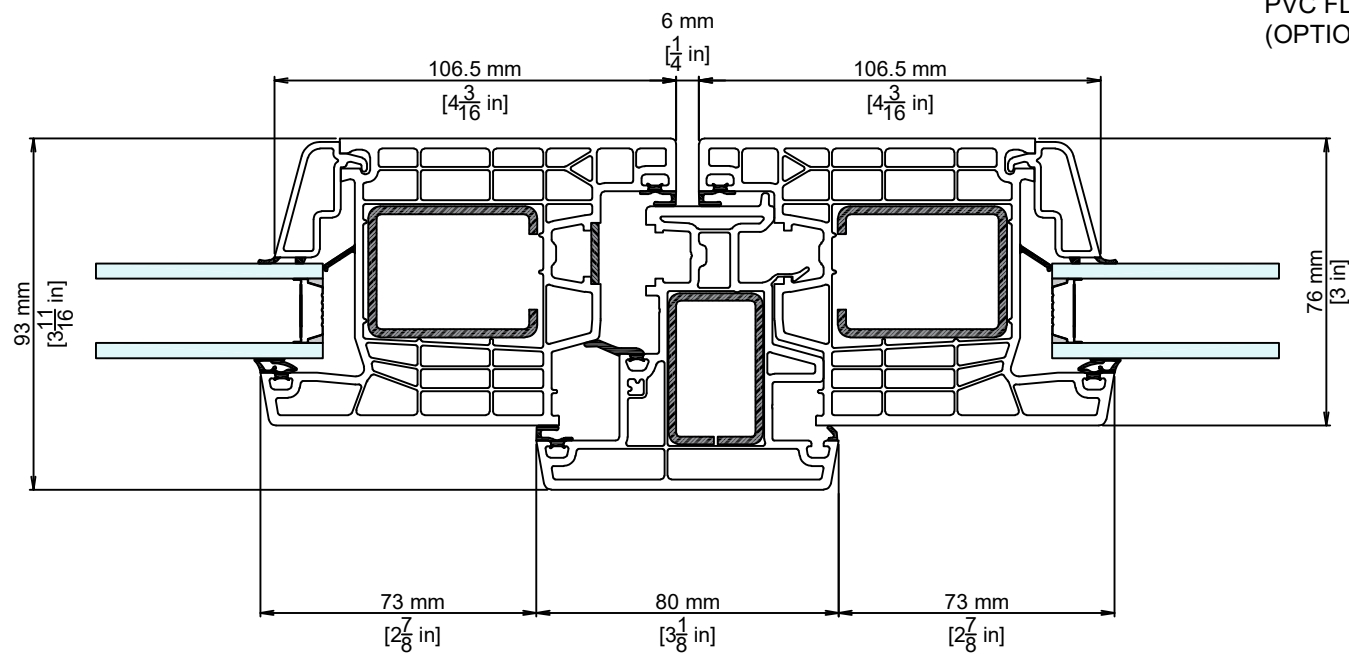
GLASS:
DOUBLE GLAZED

SCALE:
1:2

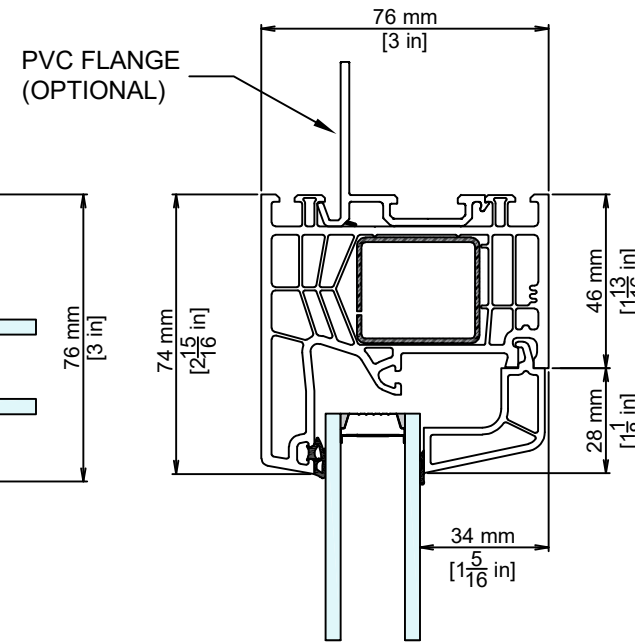
DRAWN BY:
J.IMBERY

2 of 6

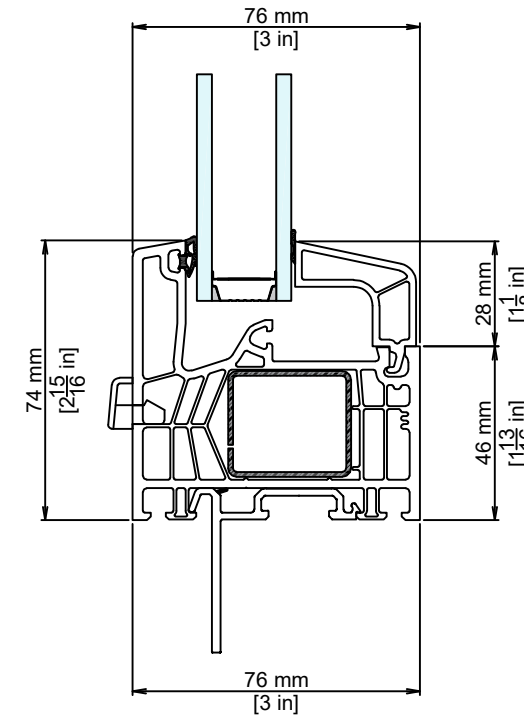
12 SASH AT ASTRAGAL



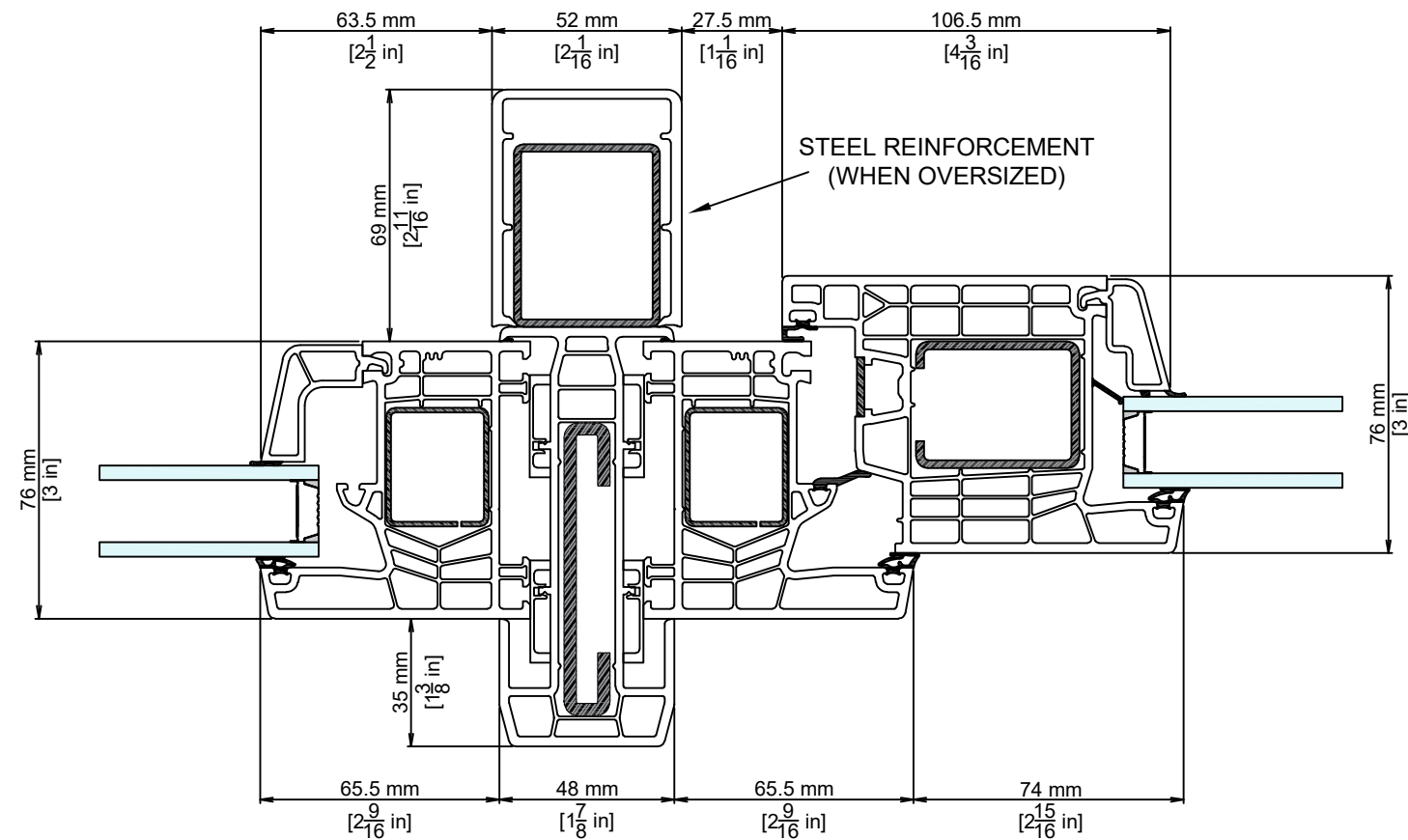
13 HEAD/JAMB AT FIXED



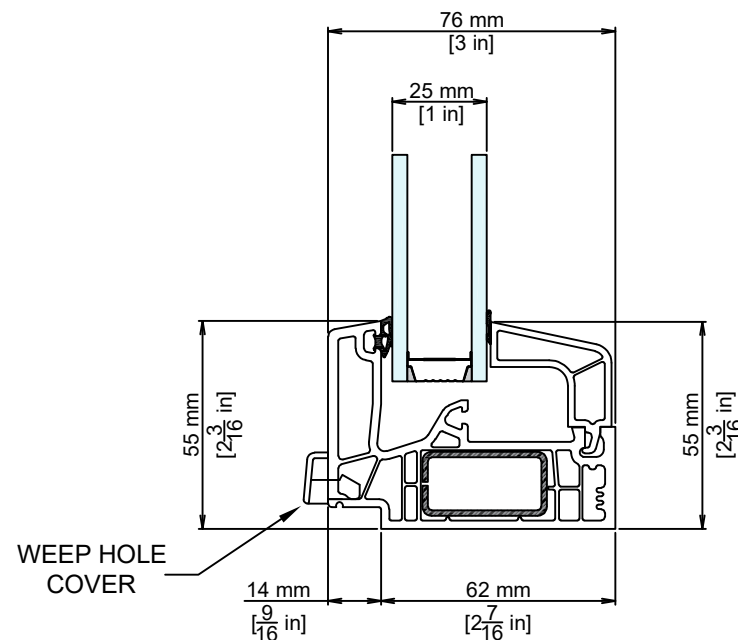
14 HIGH PERF. SILL AT FIXED



16 H-COUPLER AT FIXED/SASH



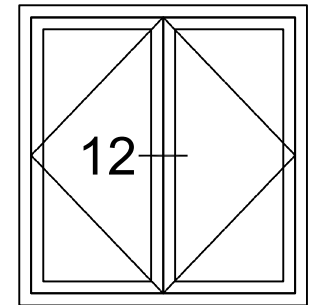
15 LOW SILL AT FIXED



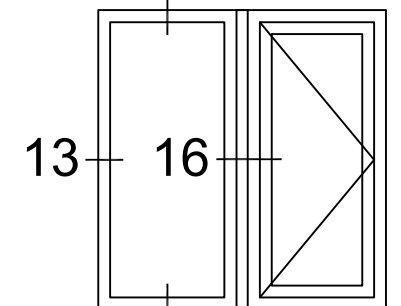
PRODUCT SERIES:

DEFENDER 76TS

DOOR CONFIGURATIONS
(AS VIEWED FROM EXTERIOR)



13



13 16

14,15

REVISIONS

NO.	DATE	DESCRIPTION
2.0	8/3/2023	UNITS OF MEASURE CHANGE
3.0	8/29/2024	RAIN DEFLECTOR ADDED TO ADA DOOR SILL
4.0	2/14/2025	THERMALLY BROKEN SASH STEEL ADDED
5.0	10/14/2025	ZERO COUPLER & HANDLE DETAIL ADDED
6.0	04/08/2026	CLEAR OPENING WIDTH: 850MM
7.0	5/13/2026	DIMENSIONS ADDED

DRAWING TYPE:
INSWING TERRACE SWING DOORS

PAGE:

GLASS:
DOUBLE GLAZED

SCALE:
1:2

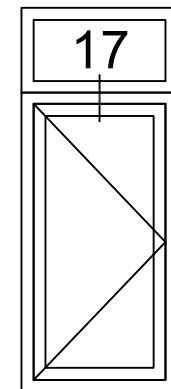
DRAWN BY:
J.IMBERY

3 of 6

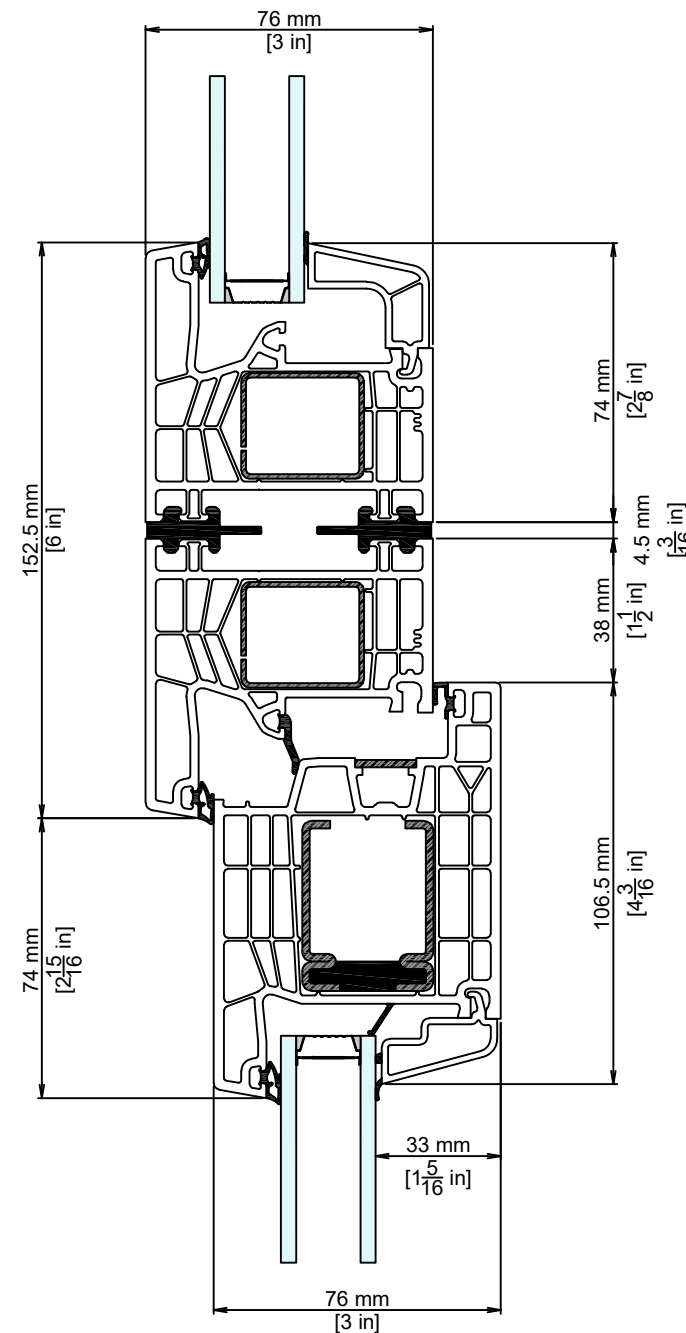
PRODUCT SERIES:

DEFENDER 76TS

DOOR CONFIGURATIONS
(AS VIEWED FROM EXTERIOR)



17 ZERO-COUPLER AT FIXED/SASH



REVISIONS

NO.	DATE	DESCRIPTION
2.0	8/3/2023	UNITS OF MEASURE CHANGE
3.0	8/29/2024	RAIN DEFLECTOR ADDED TO ADA DOOR SILL
4.0	2/14/2025	THERMALLY BROKEN SASH STEEL ADDED
5.0	10/14/2025	ZERO COUPLER & HANDLE DETAIL ADDED
6.0	04/08/2026	CLEAR OPENING WIDTH: 850MM
7.0	5/13/2026	DIMENSIONS ADDED

DRAWING TYPE:
INSWING TERRACE SWING DOORS

GLASS:
DOUBLE GLAZED

SCALE:
1:2

DRAWN BY:
J.IMBERY

PAGE:

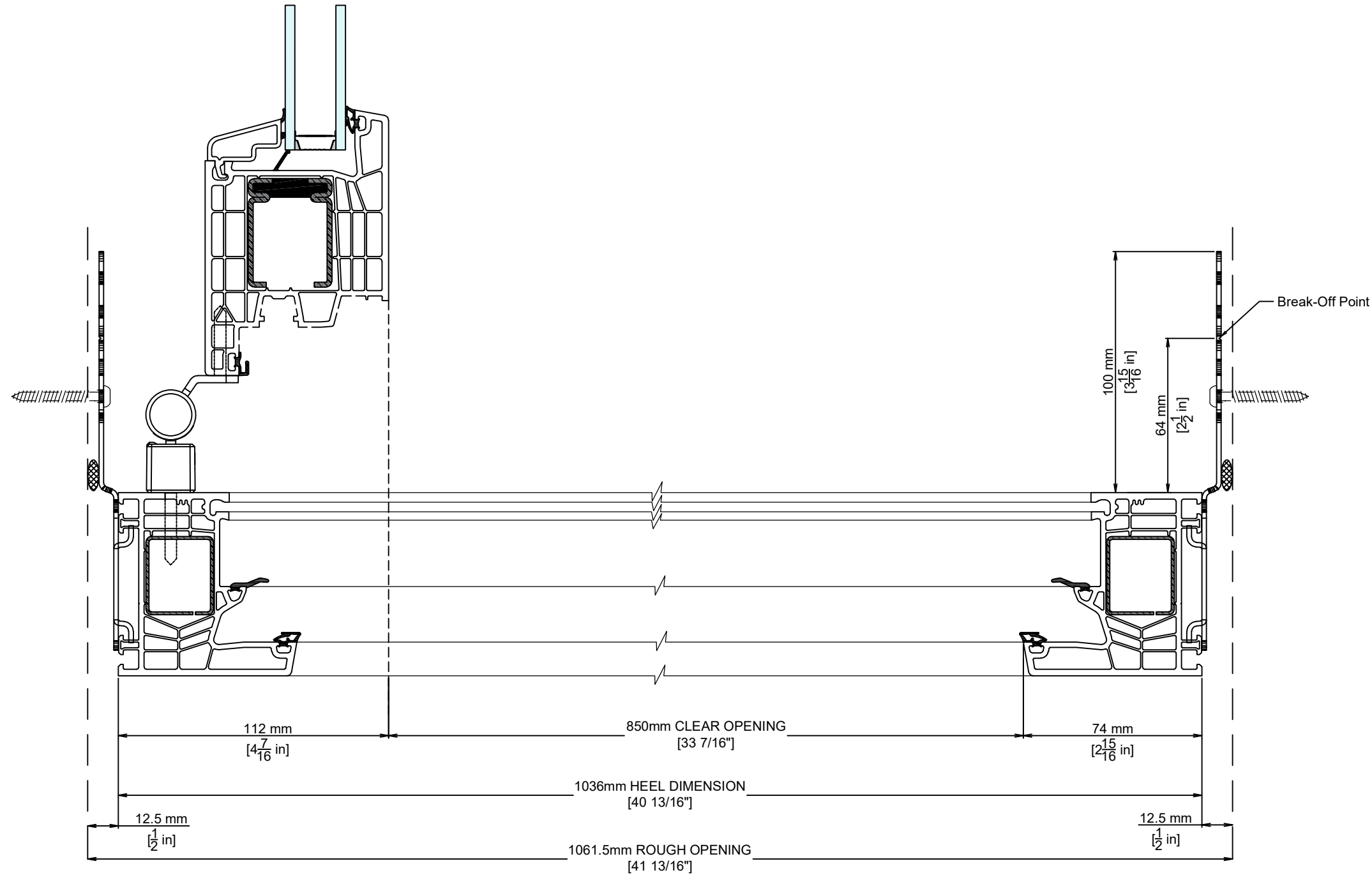
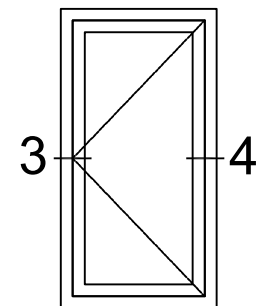
4 of 6

PRODUCT SERIES:

DEFENDER 76TS

DOOR CONFIGURATIONS
(AS VIEWED FROM EXTERIOR)

CLEAR OPENING



③ HINGE JAMB AT SASH

④ HANDLE JAMB AT SASH

REVISIONS

NO.	DATE	DESCRIPTION
2.0	8/3/2023	UNITS OF MEASURE CHANGE
3.0	8/29/2024	RAIN DEFLECTOR ADDED TO ADA DOOR SILL
4.0	2/14/2025	THERMALLY BROKEN SASH STEEL ADDED
5.0	10/14/2025	ZERO COUPLER & HANDLE DETAIL ADDED
6.0	04/08/2026	CLEAR OPENING WIDTH: 850MM
7.0	5/13/2026	DIMENSIONS ADDED

DRAWING TYPE:
INSWING TERRACE SWING DOORS

GLASS:
DOUBLE GLAZED

SCALE:
1:2

DRAWN BY:
J.IMBERY

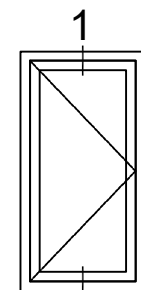
PAGE:
5 of 6

PRODUCT SERIES:

DEFENDER 76TS

DOOR CONFIGURATIONS
(AS VIEWED FROM EXTERIOR)

CLEAR OPENING



6,11

REVISIONS

NO.	DATE	DESCRIPTION
2.0	8/3/2023	UNITS OF MEASURE CHANGE
3.0	8/29/2024	RAIN DEFLECTOR ADDED TO ADA DOOR SILL
4.0	2/14/2025	THERMALLY BROKEN SASH STEEL ADDED
5.0	10/14/2025	ZERO COUPLER & HANDLE DETAIL ADDED
6.0	04/08/2026	CLEAR OPENING WIDTH: 850MM
7.0	5/13/2026	DIMENSIONS ADDED

DRAWING TYPE:
INSWING TERRACE SWING DOORS

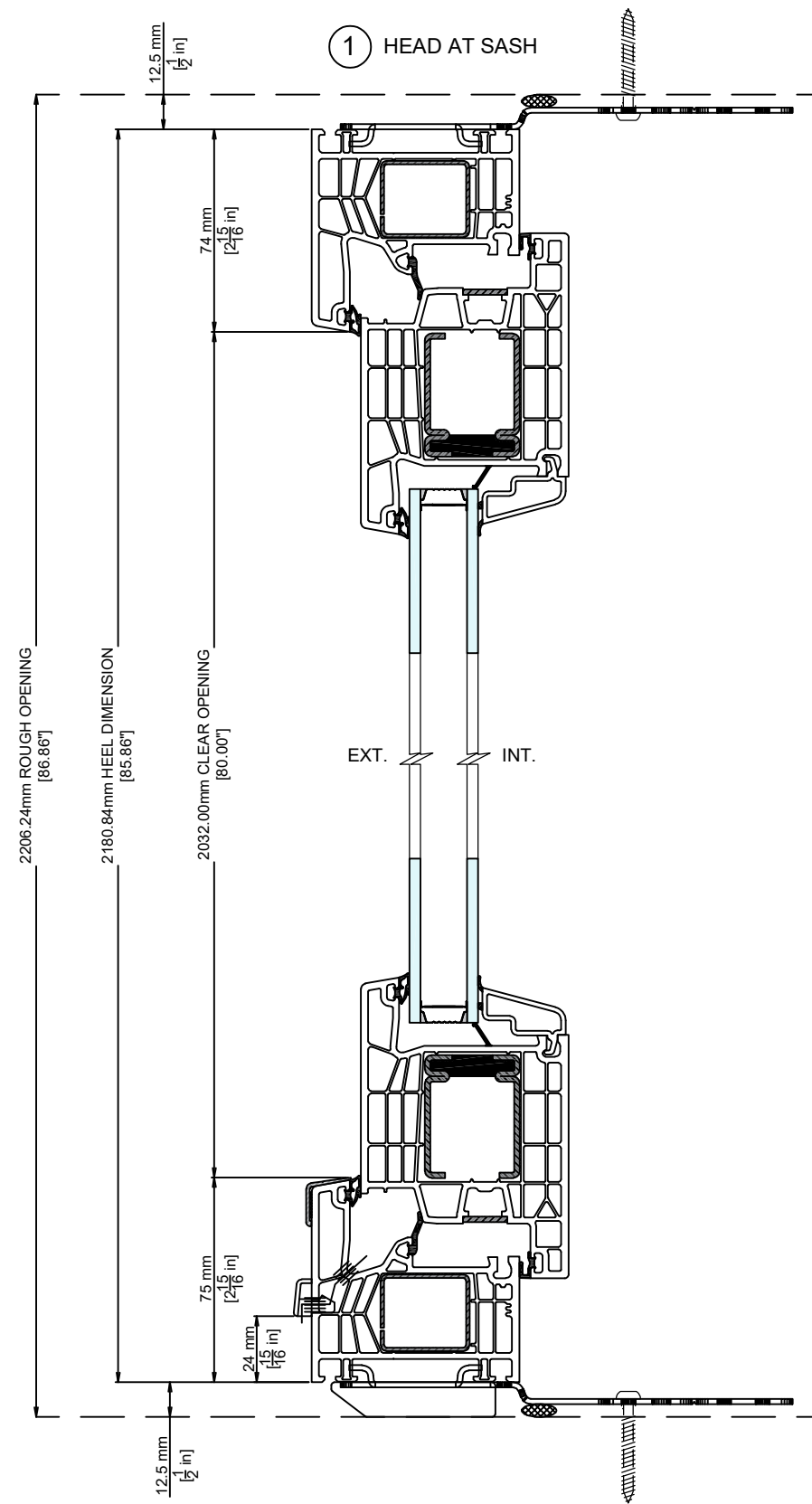
GLASS:
DOUBLE GLAZED

SCALE:
1:2.5

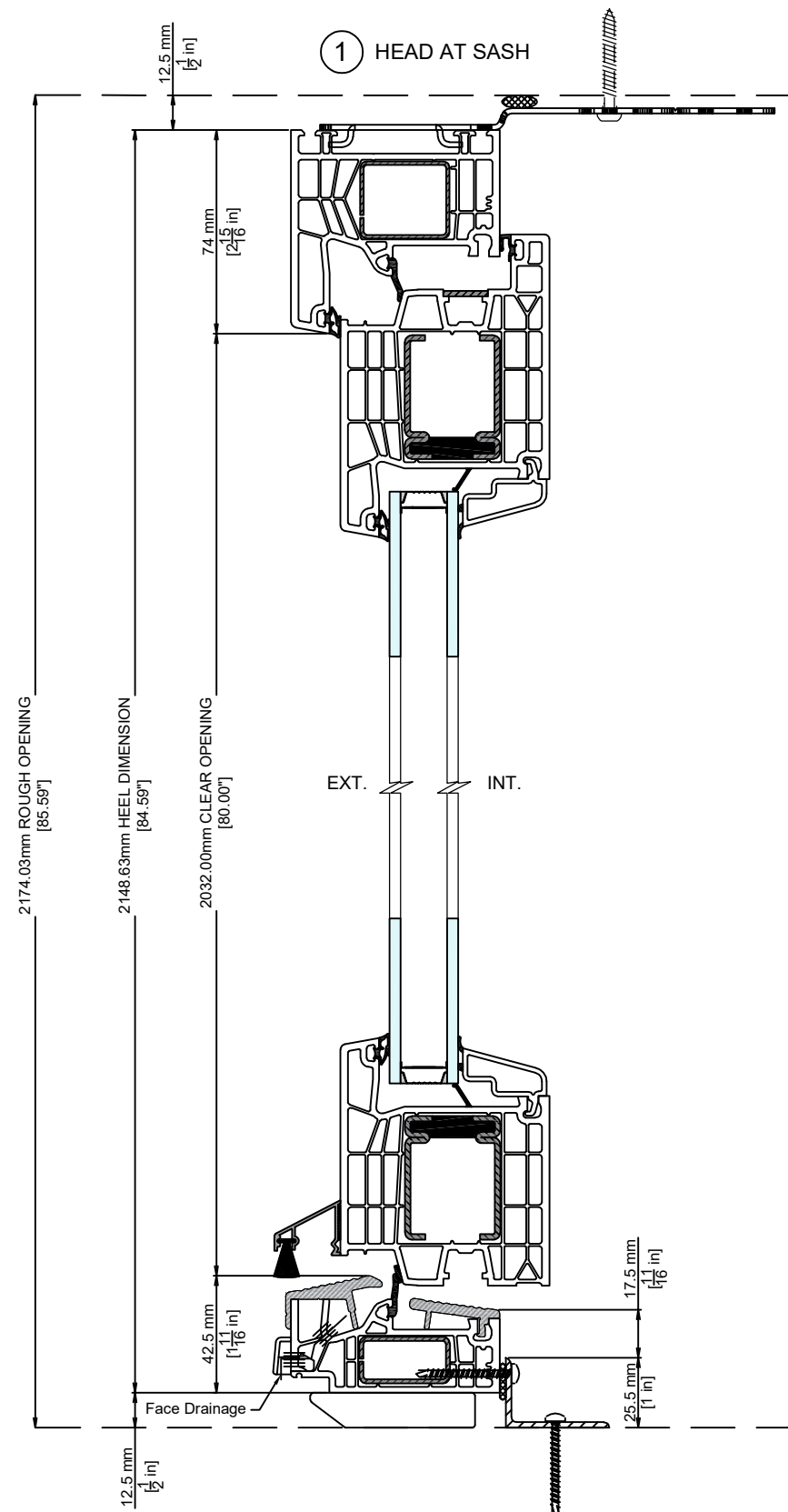
DRAWN BY:
J.IMBERY

PAGE:

6 of 6



⑥ HIGH PERF. SILL AT SASH



⑪ ADA ADAPTABLE LOW SILL AT SASH

① HEAD AT SASH

① HEAD AT SASH