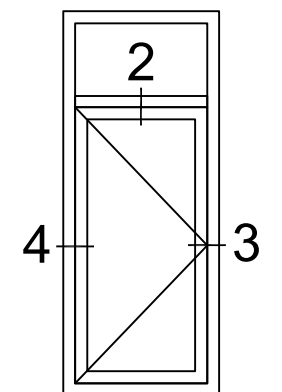
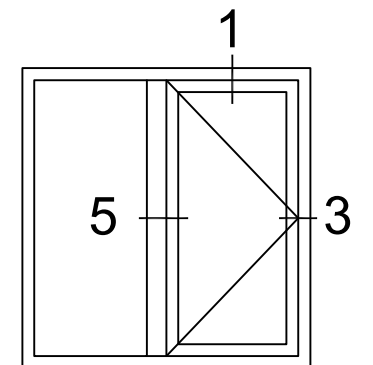


PRODUCT SERIES:

DEFENDER 76TS

DOOR CONFIGURATIONS
(AS VIEWED FROM EXTERIOR)



REVISIONS

NO.	DATE	DESCRIPTION
2.0	8/3/2023	UNITS OF MEASURE CHANGE
3.0	8/29/2024	RAIN DEFLECTOR ADDED TO ADA DOOR SILL
4.0	2/14/2025	THERMALLY BROKEN SASH STEEL ADDED
5.0	10/14/2025	ZERO COUPLER & HANDLE DETAIL ADDED
6.0	04/08/2026	CLEAR OPENING WIDTH: 850MM
7.0	5/13/2026	DIMENSIONS ADDED

DRAWING TYPE:
INSWING TERRACE SWING DOORS

PAGE:

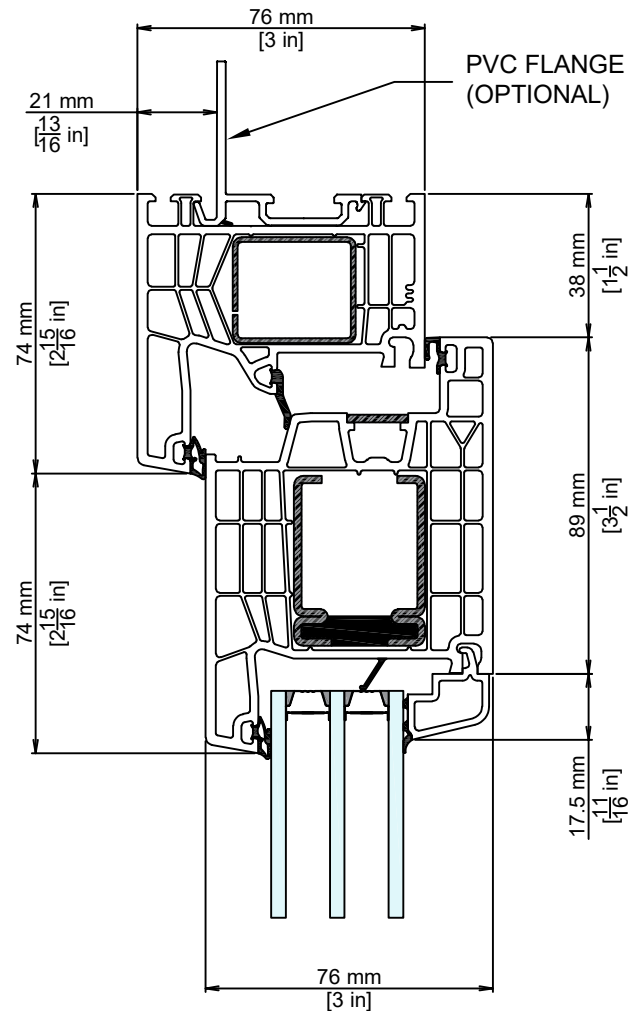
GLASS:
TRIPLE GLAZED

SCALE:
1:2

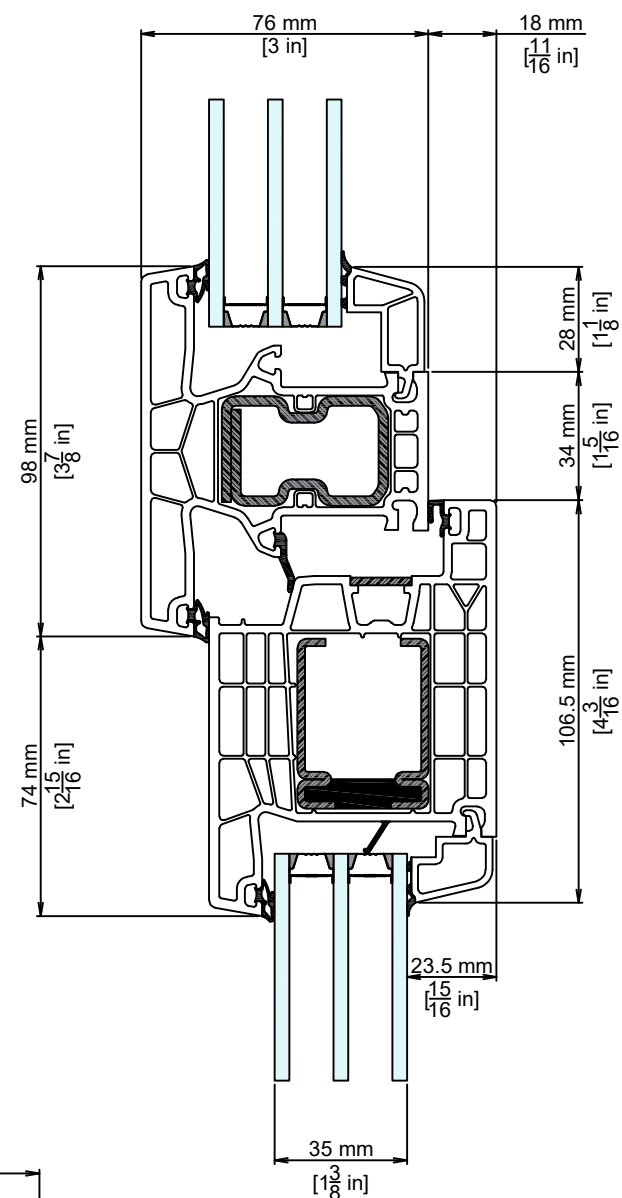
DRAWN BY:
J.IMBERY

1 of 6

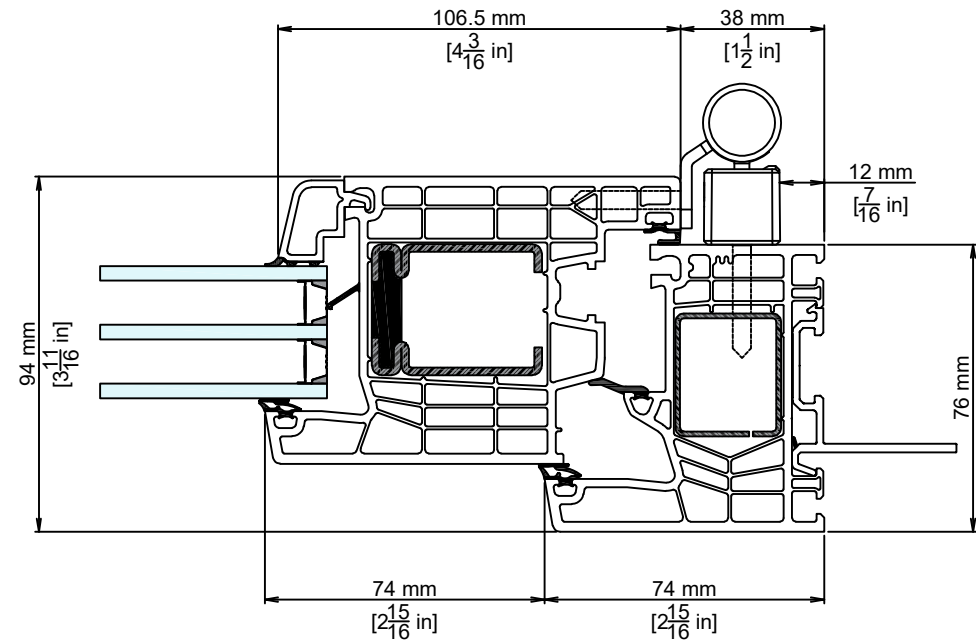
① HEAD AT SASH



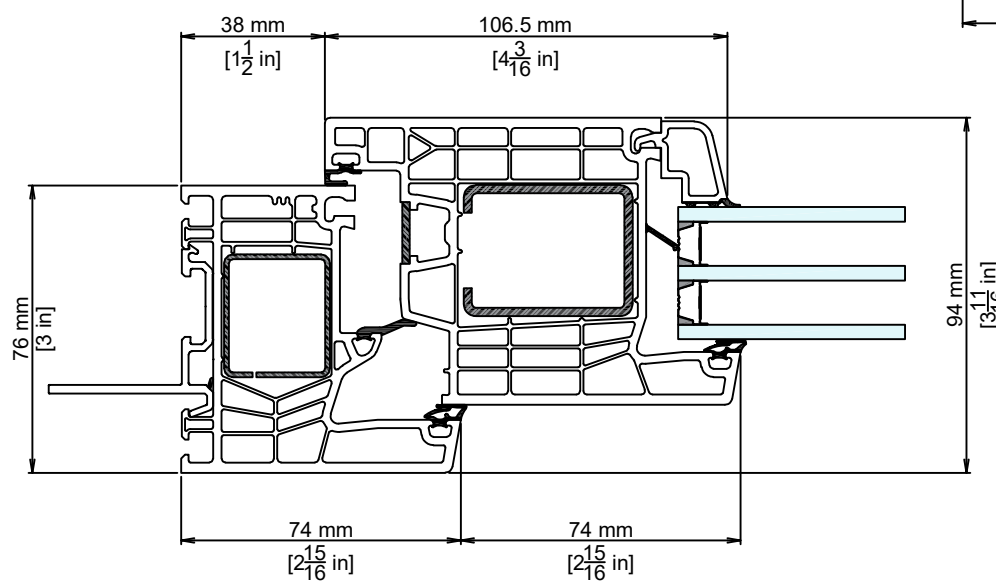
② T-MULLION AT SASH



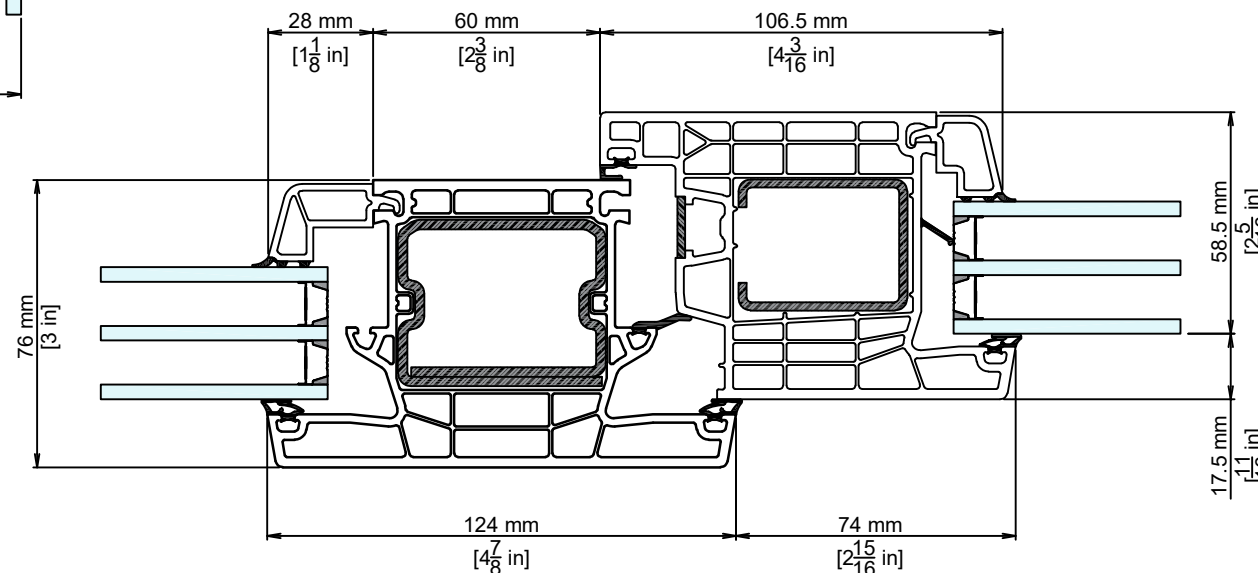
③ HINGE JAMB AT SASH



④ HANDLE JAMB AT SASH



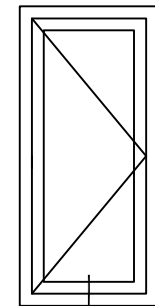
⑤ LARGE T-MULLION AT SASH



PRODUCT SERIES:

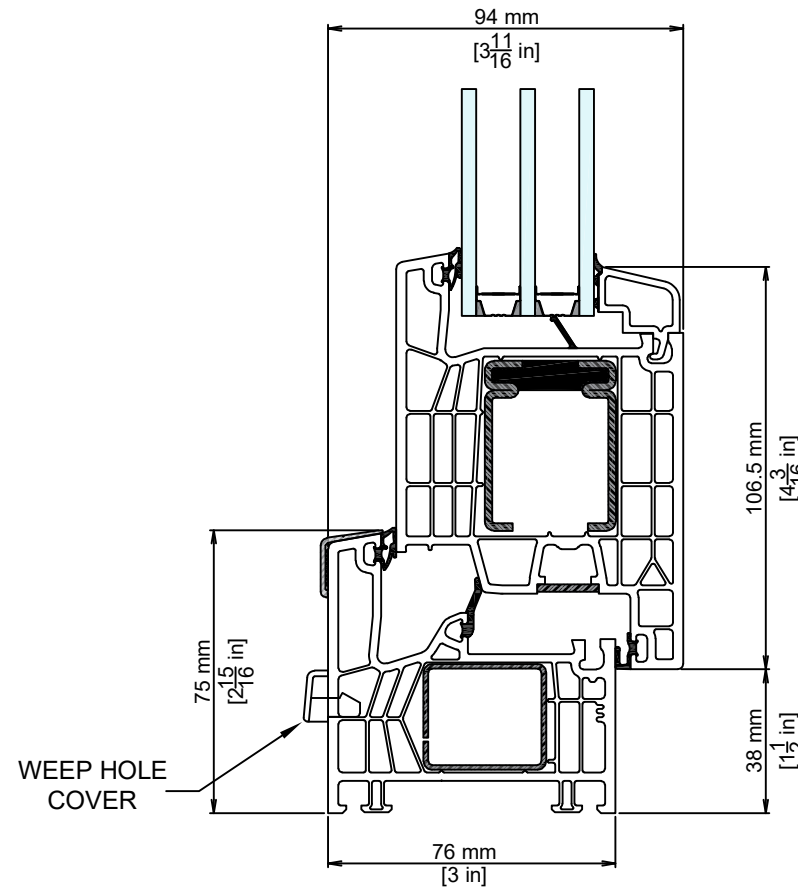
DEFENDER 76TS

DOOR CONFIGURATIONS
(AS VIEWED FROM EXTERIOR)

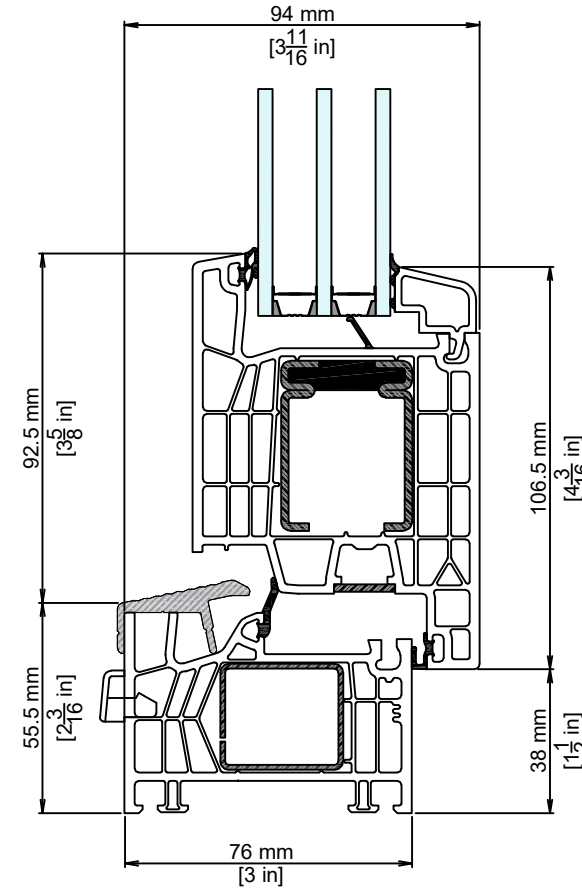


6,7,8,9,10,11

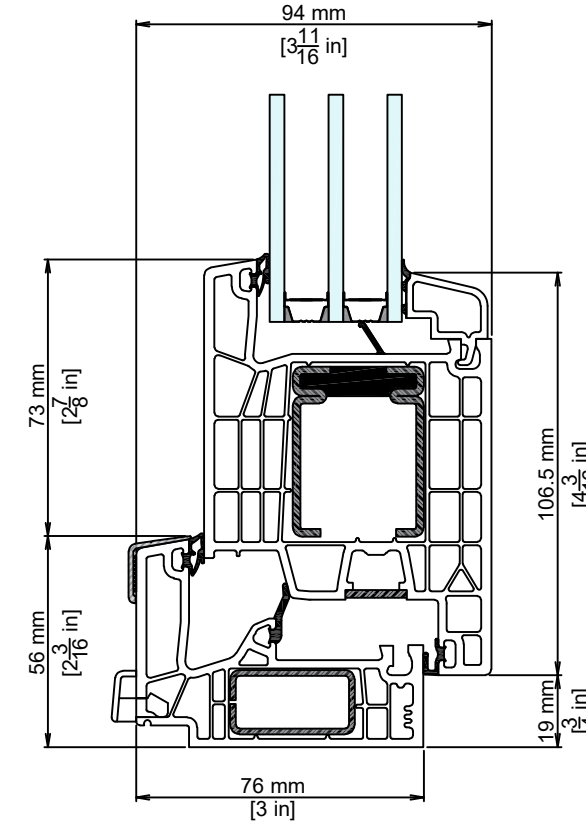
6 HIGH PERF. SILL AT SASH



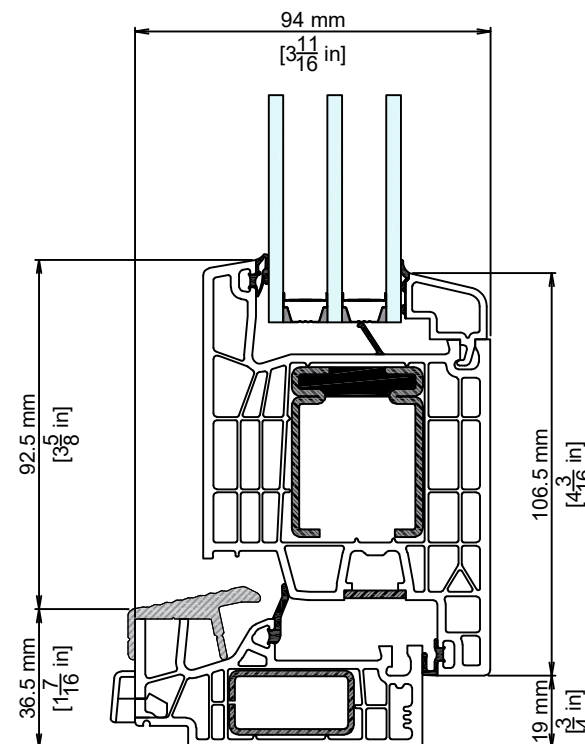
7 EASY ACCESS SILL AT SASH



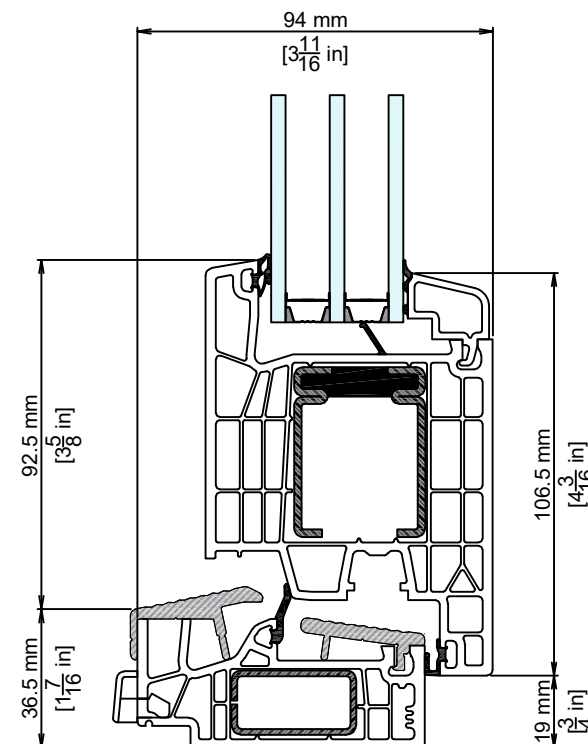
8 HIGH PERF. LOW SILL AT SASH



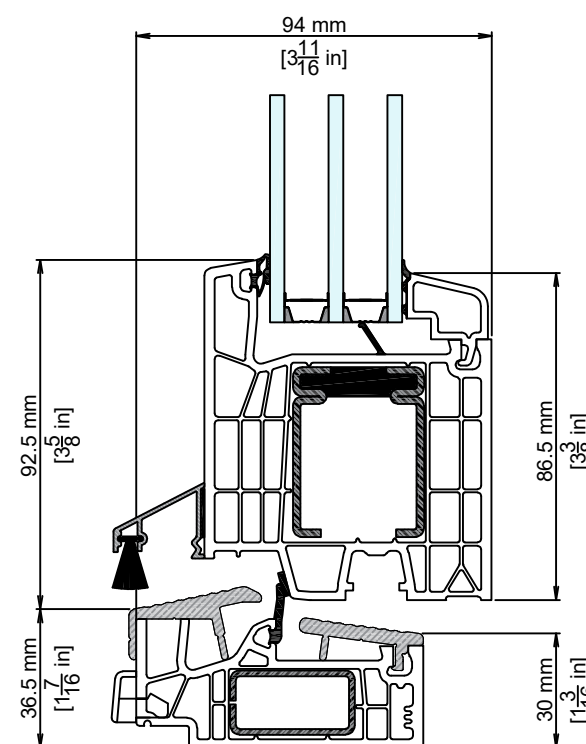
9 EASY ACCESS LOW SILL AT SASH



10 EASY ACCESS LOW SILL AT SASH
(QUICKLATCH HARDWARE)



11 ADA ADAPTABLE LOW SILL AT SASH



REVISIONS

NO.	DATE	DESCRIPTION
2.0	8/3/2023	UNITS OF MEASURE CHANGE
3.0	8/29/2024	RAIN DEFLECTOR ADDED TO ADA DOOR SILL
4.0	2/14/2025	THERMALLY BROKEN SASH STEEL ADDED
5.0	10/14/2025	ZERO COUPLER & HANDLE DETAIL ADDED
6.0	04/08/2026	CLEAR OPENING WIDTH: 850MM
7.0	5/13/2026	DIMENSIONS ADDED

DRAWING TYPE:
INSWING TERRACE SWING DOORS

PAGE:

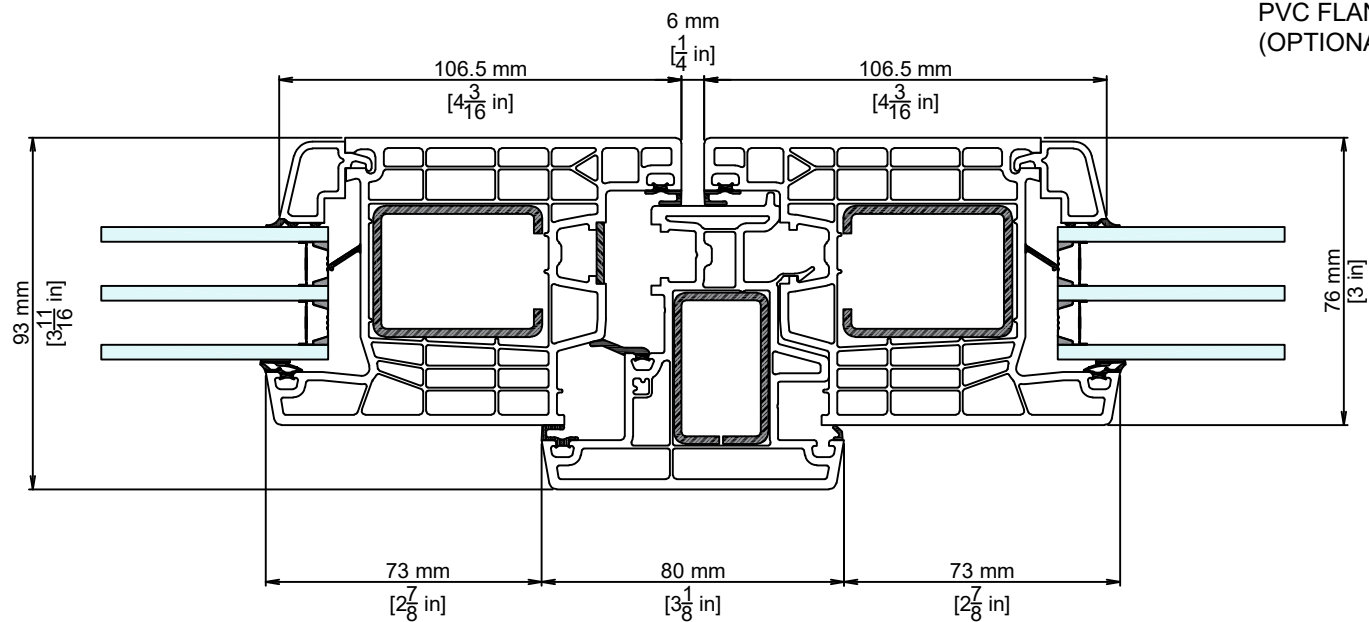
GLASS:
TRIPLE GLAZED

SCALE:
1:2

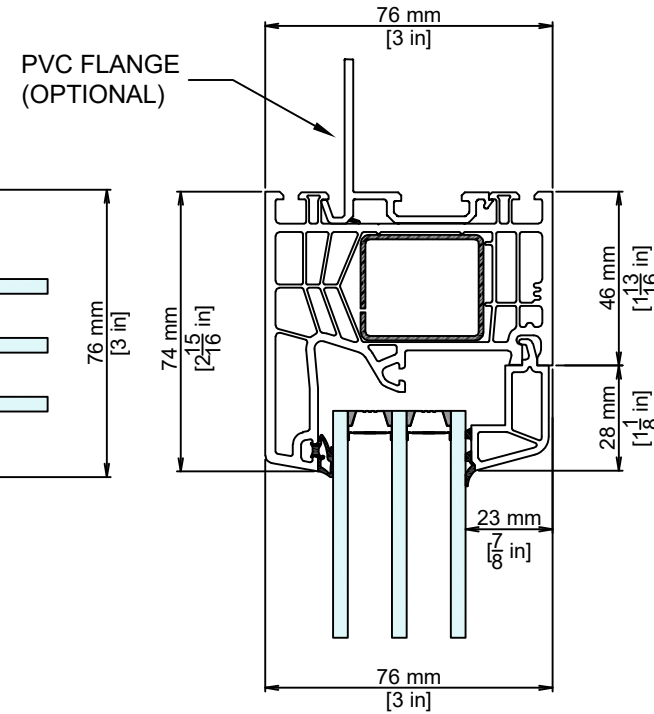
DRAWN BY:
J.IMBERY

2 of 6

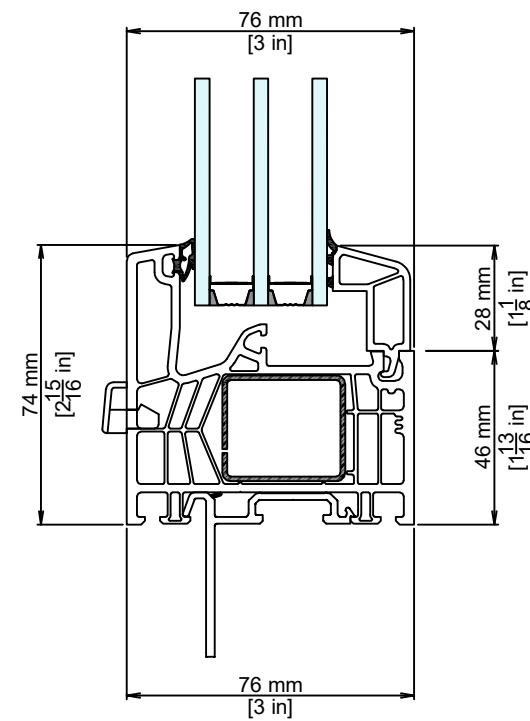
12 SASH AT ASTRAGAL



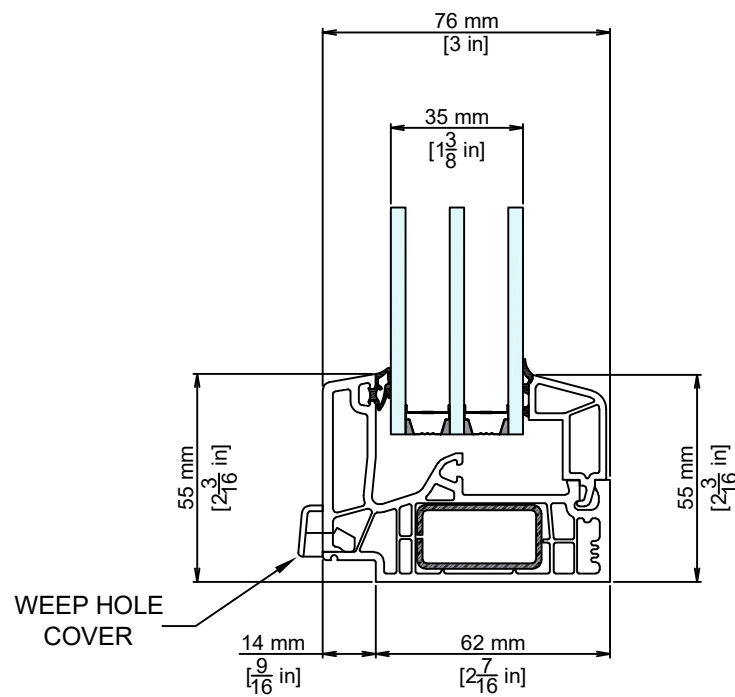
13 HEAD/JAMB AT FIXED



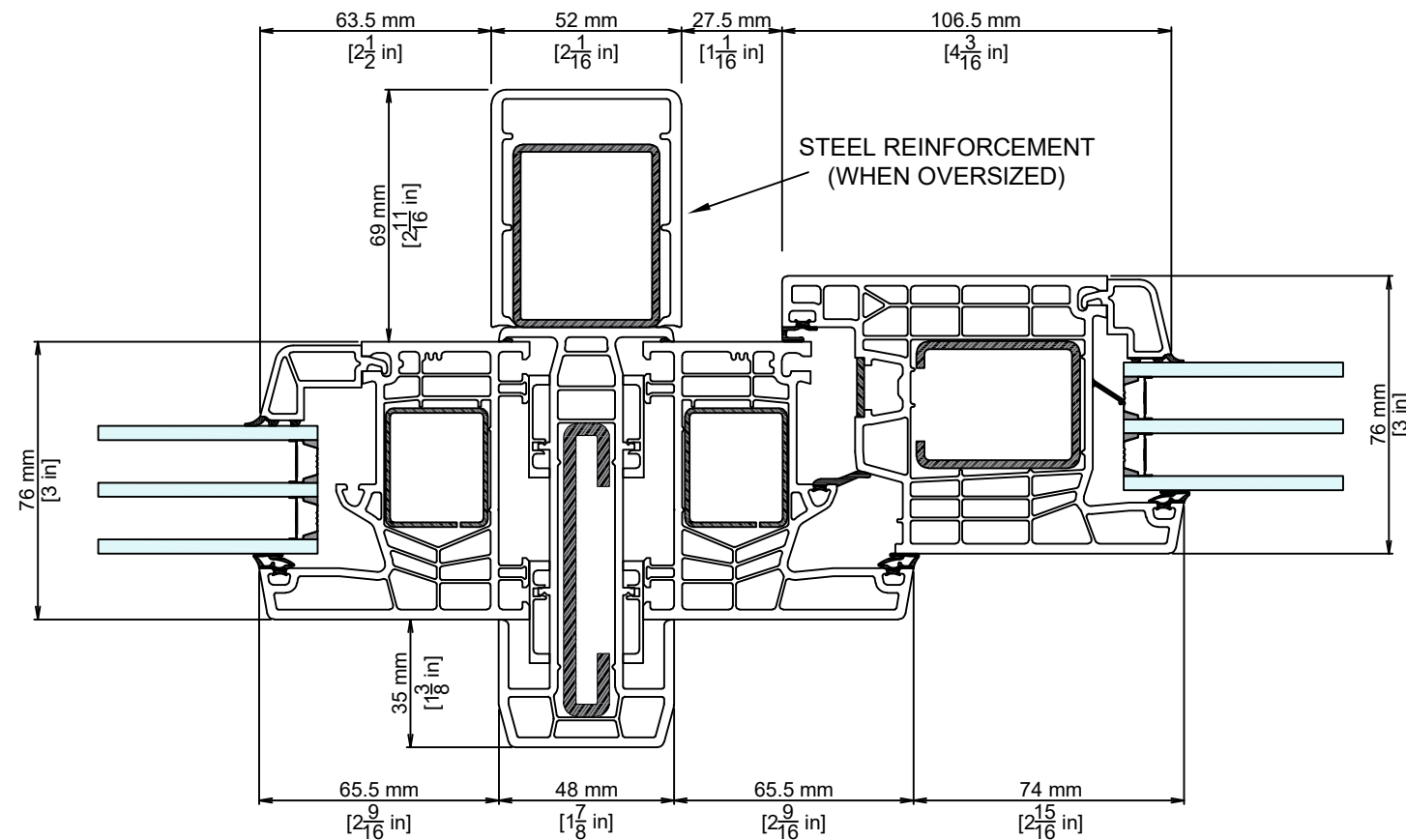
14 HIGH PERF. SILL AT FIXED



15 LOW SILL AT FIXED



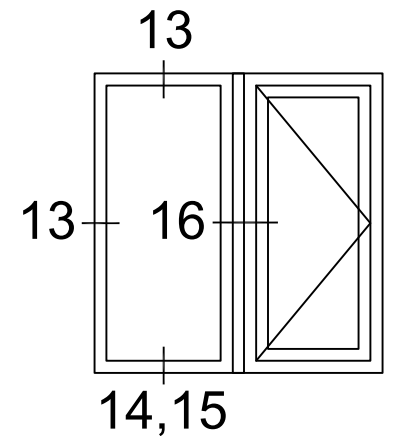
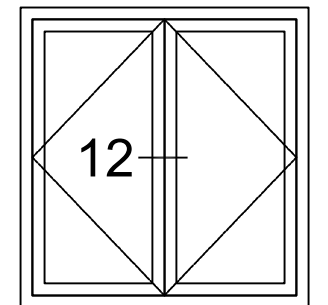
16 H-COUPLER AT FIXED/SASH



PRODUCT SERIES:

DEFENDER 76TS

DOOR CONFIGURATIONS
(AS VIEWED FROM EXTERIOR)



REVISIONS

NO.	DATE	DESCRIPTION
2.0	8/3/2023	UNITS OF MEASURE CHANGE
3.0	8/29/2024	RAIN DEFLECTOR ADDED TO ADA DOOR SILL
4.0	2/14/2025	THERMALLY BROKEN SASH STEEL ADDED
5.0	10/14/2025	ZERO COUPLER & HANDLE DETAIL ADDED
6.0	04/08/2026	CLEAR OPENING WIDTH: 850MM
7.0	5/13/2026	DIMENSIONS ADDED

DRAWING TYPE:
INSWING TERRACE SWING DOORS

PAGE:

GLASS:
TRIPLE GLAZED

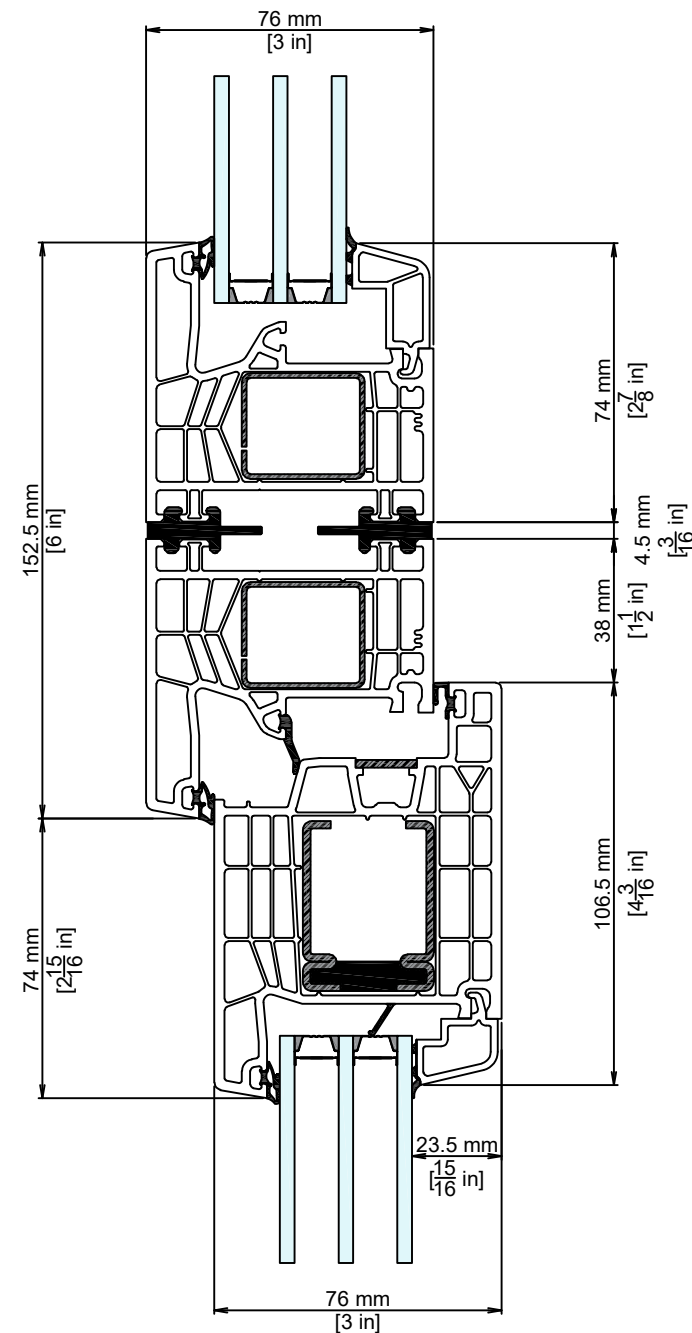
SCALE:
1:2

DRAWN BY:
J.IMBERY

3 of 6

CLEAR OPENING

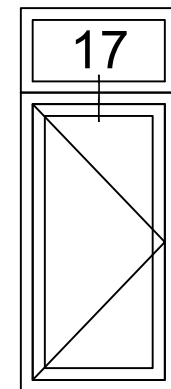
17 ZERO-COUPLER AT FIXED/SASH



PRODUCT SERIES:

DEFENDER 76TS

DOOR CONFIGURATIONS
(AS VIEWED FROM EXTERIOR)



REVISIONS

NO.	DATE	DESCRIPTION
2.0	8/3/2023	UNITS OF MEASURE CHANGE
3.0	8/29/2024	RAIN DEFLECTOR ADDED TO ADA DOOR SILL
4.0	2/14/2025	THERMALLY BROKEN SASH STEEL ADDED
5.0	10/14/2025	ZERO COUPLER & HANDLE DETAIL ADDED
6.0	04/08/2026	CLEAR OPENING WIDTH: 850MM
7.0	5/13/2026	DIMENSIONS ADDED

DRAWING TYPE:
INSWING TERRACE SWING DOORS

PAGE:

GLASS:
TRIPLE GLAZED

SCALE:
1:2

DRAWN BY:
J.IMBERY

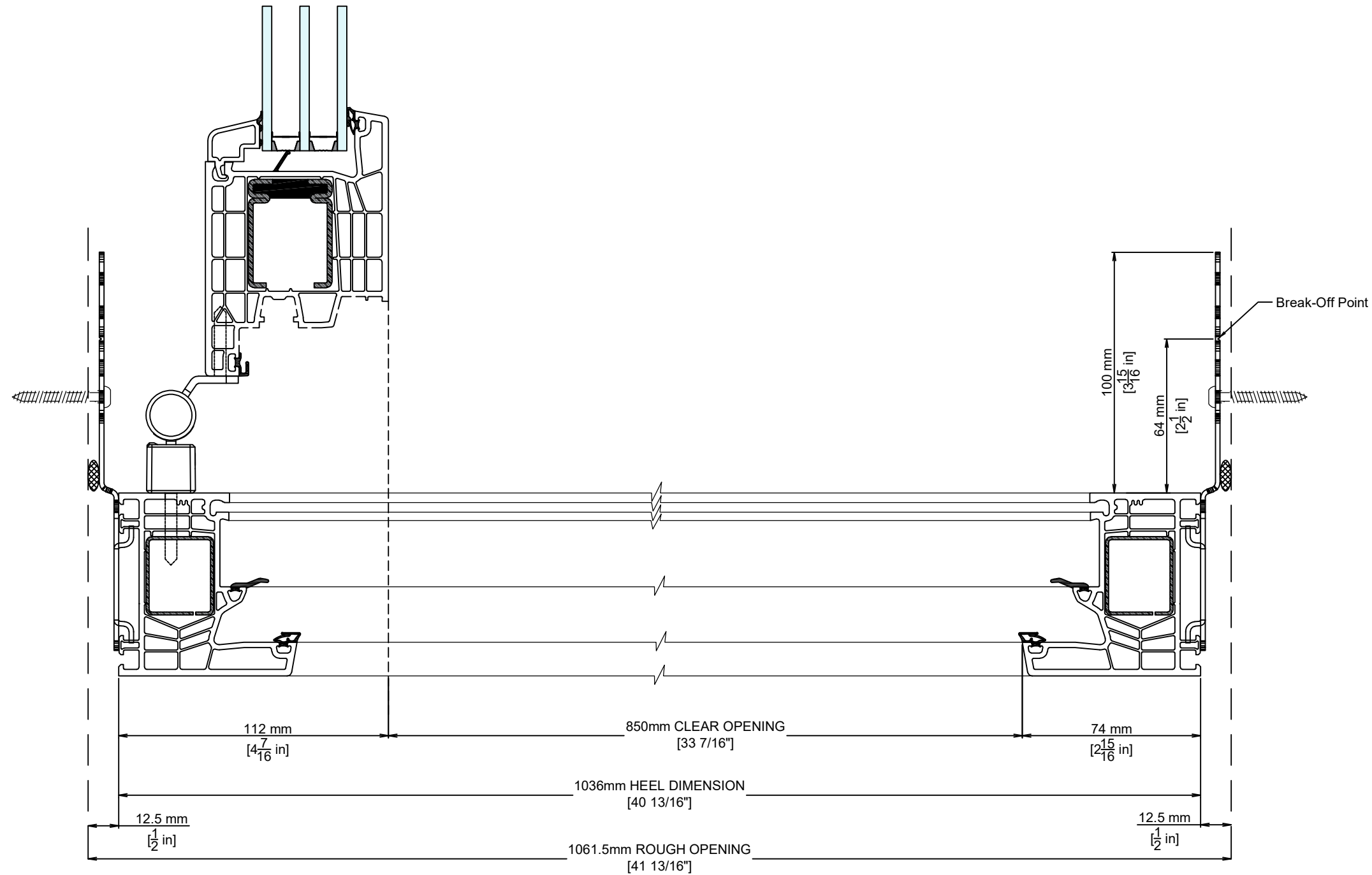
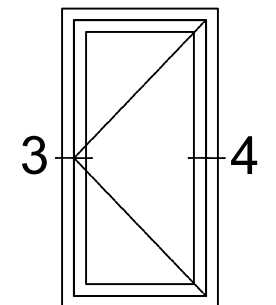
4 of 6

PRODUCT SERIES:

DEFENDER 76TS

DOOR CONFIGURATIONS
(AS VIEWED FROM EXTERIOR)

CLEAR OPENING



③ HINGE JAMB AT SASH

④ HANDLE JAMB AT SASH

REVISIONS

NO.	DATE	DESCRIPTION
2.0	8/3/2023	UNITS OF MEASURE CHANGE
3.0	8/29/2024	RAIN DEFLECTOR ADDED TO ADA DOOR SILL
4.0	2/14/2025	THERMALLY BROKEN SASH STEEL ADDED
5.0	10/14/2025	ZERO COUPLER & HANDLE DETAIL ADDED
6.0	04/08/2026	CLEAR OPENING WIDTH: 850MM
7.0	5/13/2026	DIMENSIONS ADDED

DRAWING TYPE:
INSWING TERRACE SWING DOORS

PAGE:

GLASS:
TRIPLE GLAZED

SCALE:
1:2

DRAWN BY:
J.IMBERY

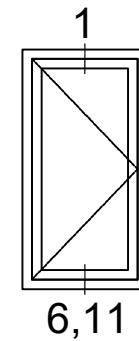
5 of 6

PRODUCT SERIES:

DEFENDER 76TS

DOOR CONFIGURATIONS
(AS VIEWED FROM EXTERIOR)

CLEAR OPENING



REVISIONS

NO.	DATE	DESCRIPTION
2.0	8/3/2023	UNITS OF MEASURE CHANGE
3.0	8/29/2024	RAIN DEFLECTOR ADDED TO ADA DOOR SILL
4.0	2/14/2025	THERMALLY BROKEN SASH STEEL ADDED
5.0	10/14/2025	ZERO COUPLER & HANDLE DETAIL ADDED
6.0	04/08/2026	CLEAR OPENING WIDTH: 850MM
7.0	5/13/2026	DIMENSIONS ADDED

DRAWING TYPE:
INSWING TERRACE SWING DOORS

GLASS:
TRIPLE GLAZED

SCALE:
1:2.5

DRAWN BY:
J.IMBERY

PAGE:

6 of 6

