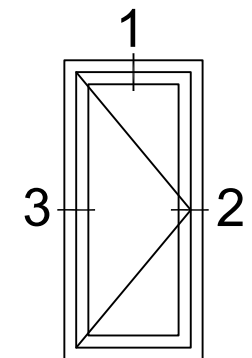
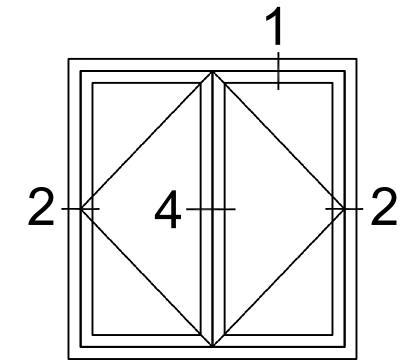


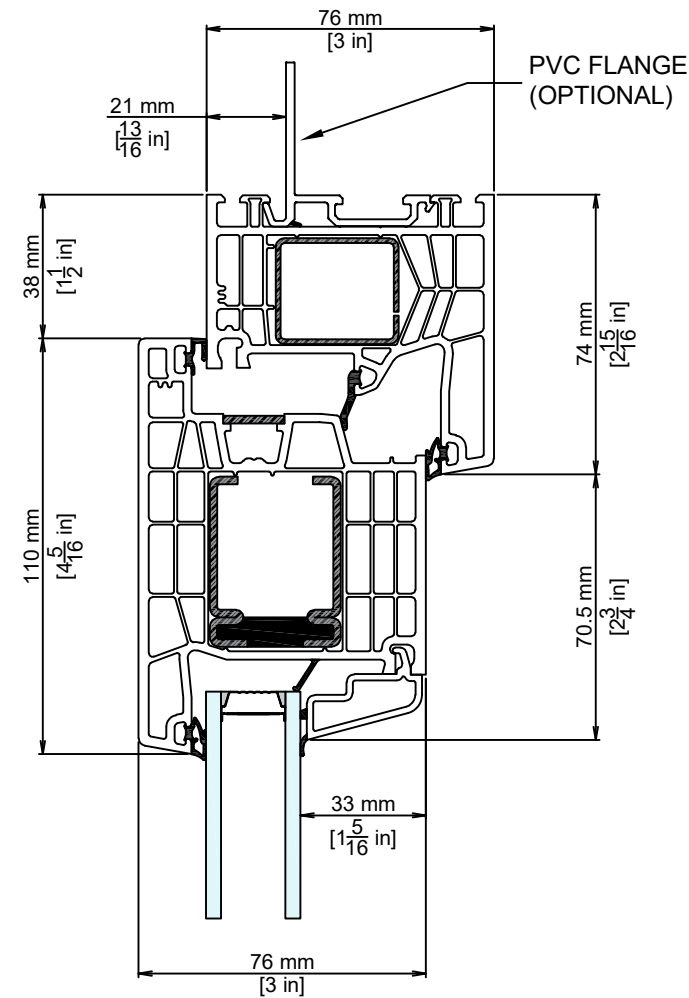
PRODUCT SERIES:

**DEFENDER 76TS**

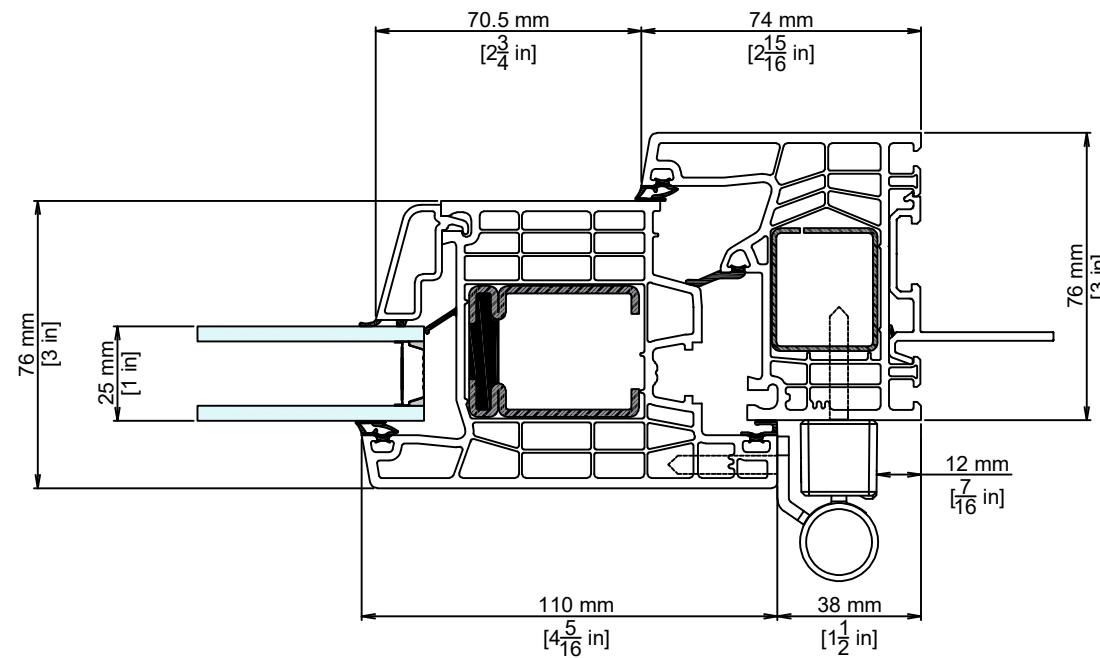
DOOR CONFIGURATIONS  
(AS VIEWED FROM EXTERIOR)



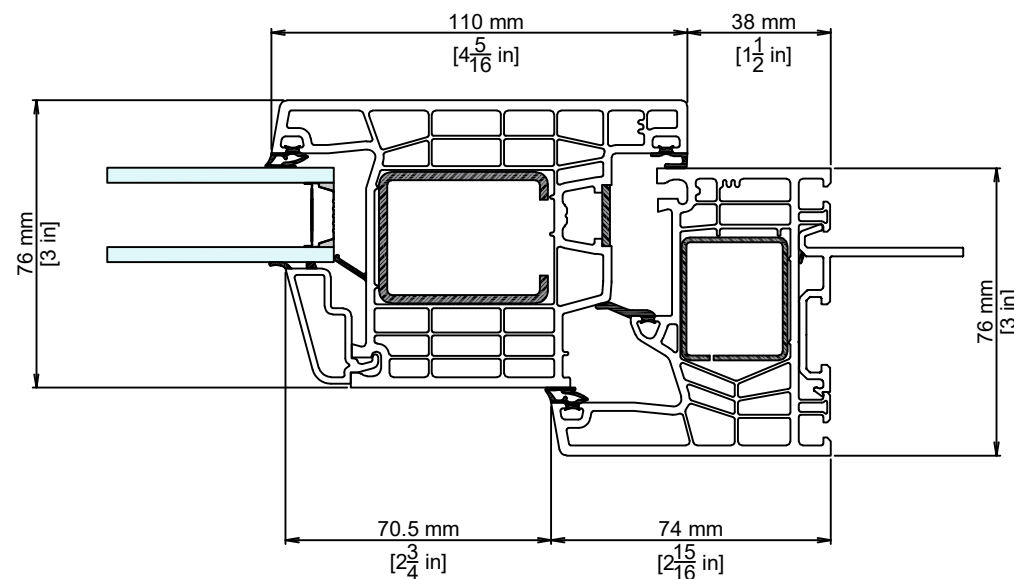
① HEAD AT SASH



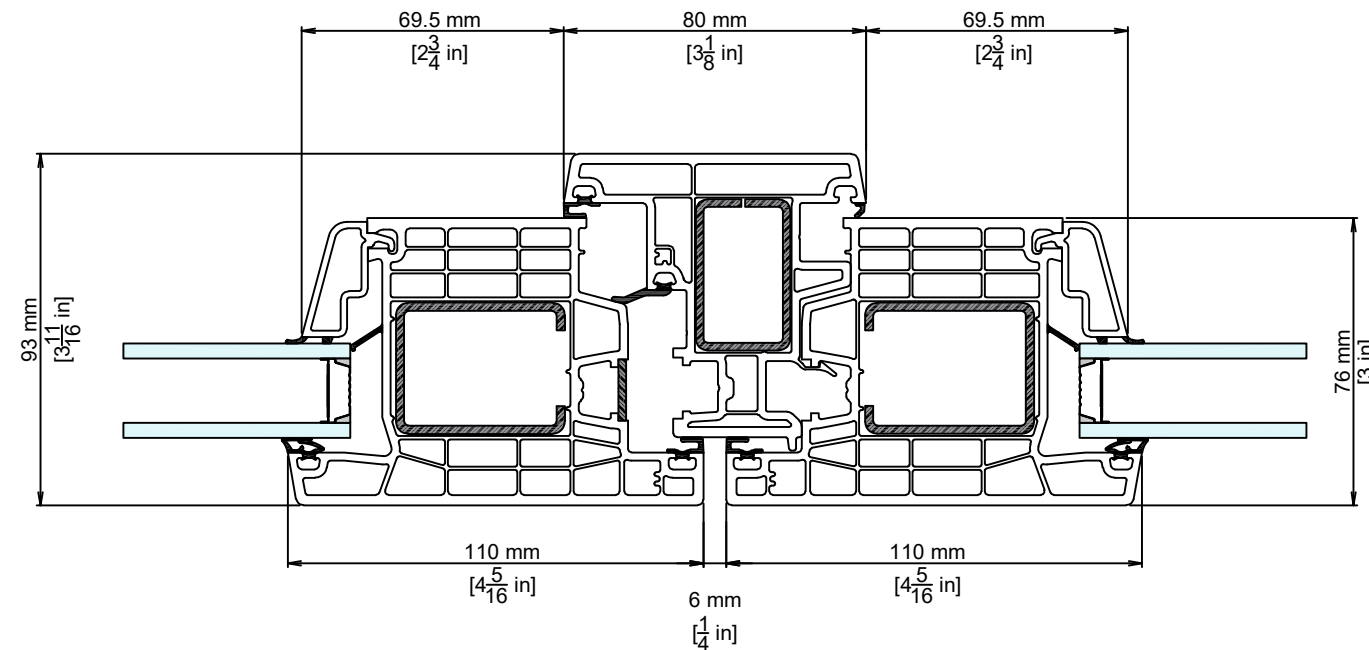
② HINGE JAMB AT SASH



③ HANDLE JAMB AT SASH



④ SASH AT ASTRAGAL



REVISIONS

| NO. | DATE       | DESCRIPTION                        |
|-----|------------|------------------------------------|
| 2.0 | 8/3/2023   | UNITS OF MEASURE CHANGE            |
| 3.0 | 7/10/2024  | INSTALLATION CHANGE                |
| 4.0 | 2/14/2025  | THERMALLY BROKEN SASH STEEL ADDED  |
| 5.0 | 10/14/2025 | ZERO COUPLER & HANDLE DETAIL ADDED |
| 6.0 | 04/08/2026 | CLEAR OPENING WIDTH: 850MM         |
| 7.0 | 5/13/2026  | DIMENSIONS ADDED                   |

DRAWING TYPE:  
**OUTSWING TERRACE SWING DOORS**

GLASS:  
DOUBLE GLAZED

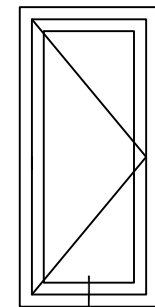
SCALE:  
1:2

DRAWN BY:  
J.IMBERY

PRODUCT SERIES:

**DEFENDER 76TS**

DOOR CONFIGURATIONS  
(AS VIEWED FROM EXTERIOR)



6,7,8,9,10

REVISIONS

| NO. | DATE       | DESCRIPTION                        |
|-----|------------|------------------------------------|
| 2.0 | 8/3/2023   | UNITS OF MEASURE CHANGE            |
| 3.0 | 7/10/2024  | INSTALLATION CHANGE                |
| 4.0 | 2/14/2025  | THERMALLY BROKEN SASH STEEL ADDED  |
| 5.0 | 10/14/2025 | ZERO COUPLER & HANDLE DETAIL ADDED |
| 6.0 | 04/08/2026 | CLEAR OPENING WIDTH: 850MM         |
| 7.0 | 5/13/2026  | DIMENSIONS ADDED                   |

DRAWING TYPE:  
OUTSWING TERRACE SWING DOORS

PAGE:

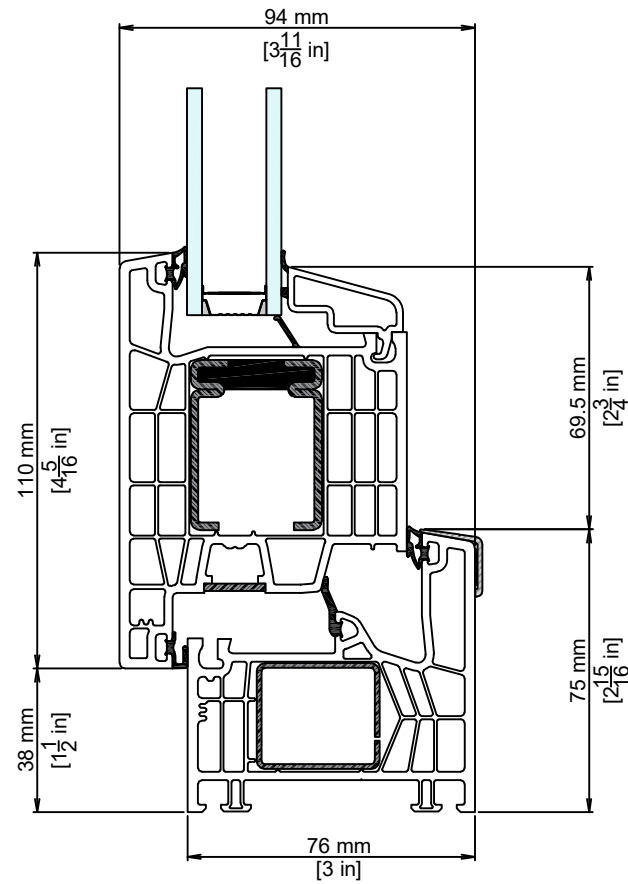
GLASS:  
DOUBLE GLAZED

SCALE:  
1:2

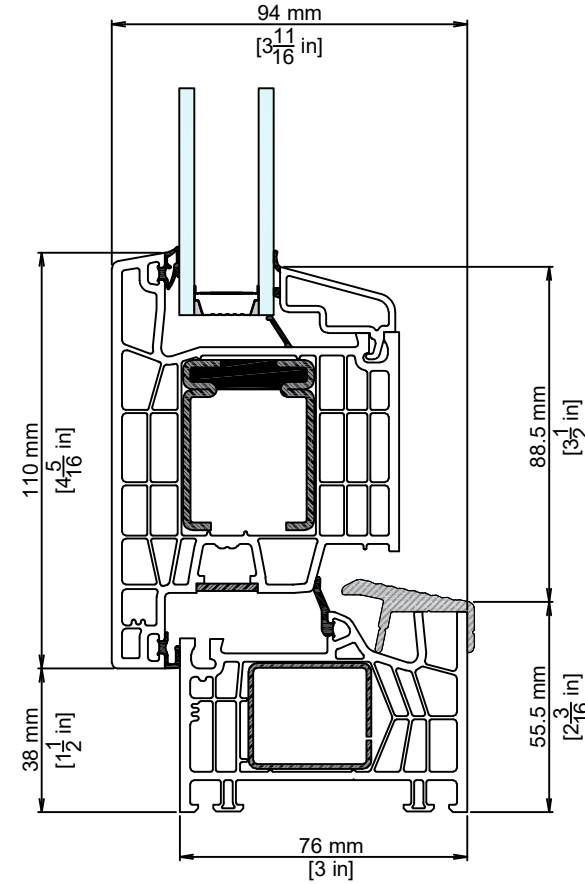
DRAWN BY:  
J.IMBERY

2 of 5

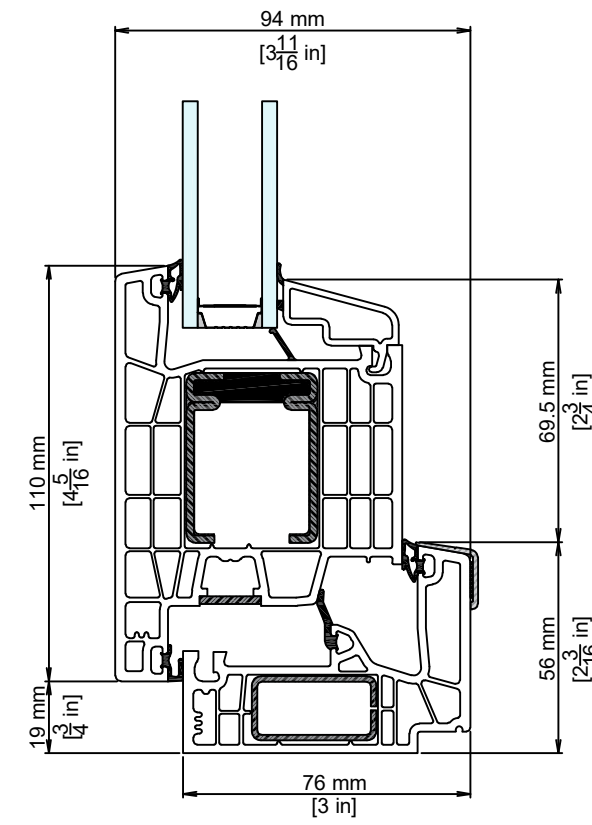
5 HIGH PERF. SILL AT SASH



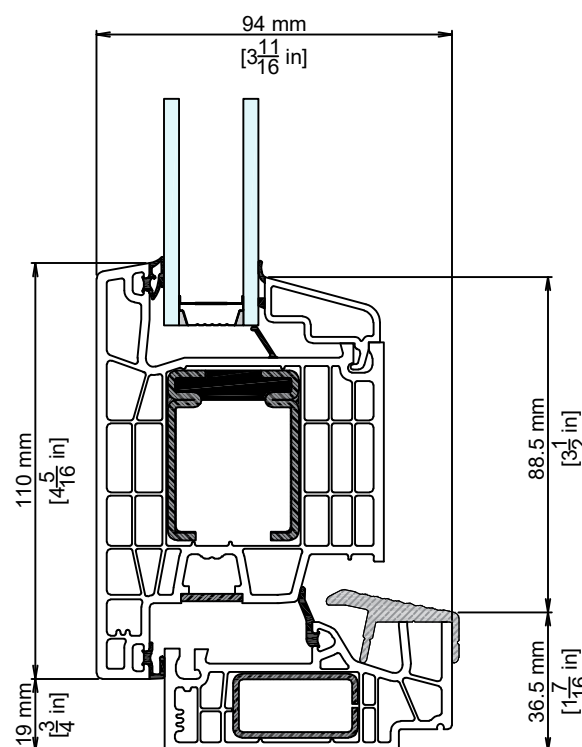
6 EASY ACCESS SILL AT SASH



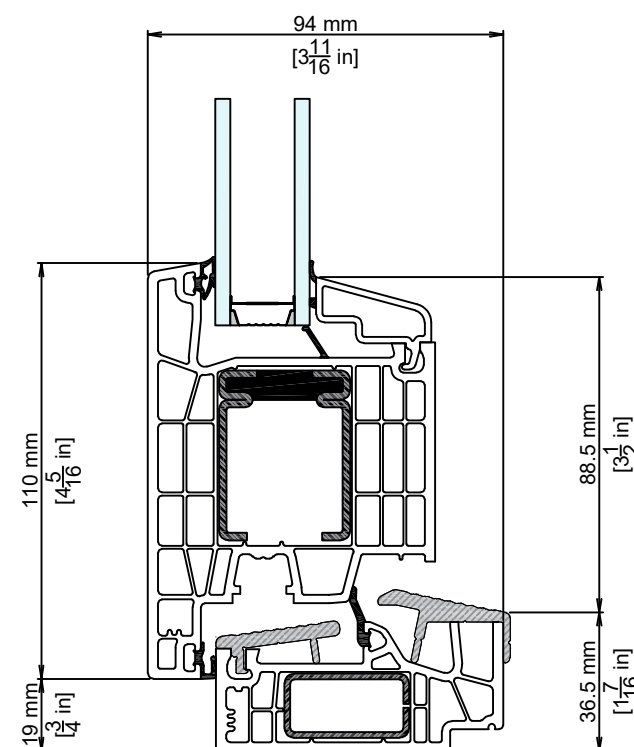
7 HIGH PERF. LOW SILL AT SASH



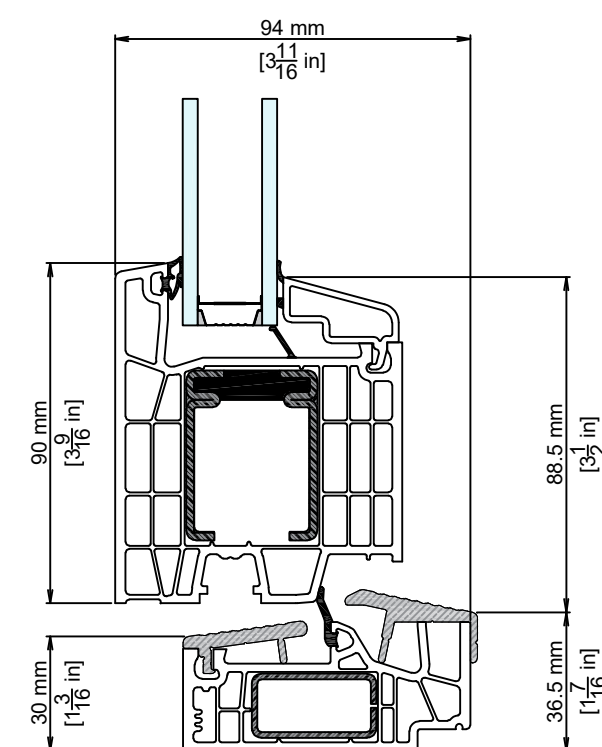
8 EASY ACCESS LOW SILL AT SASH



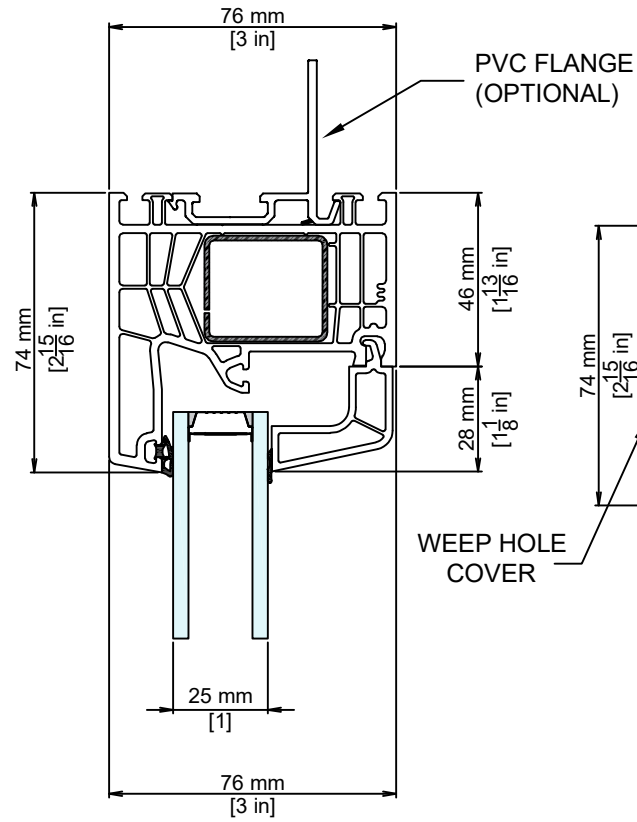
9 EASY ACCESS LOW SILL AT SASH  
(QUICKLATCH HARDWARE)



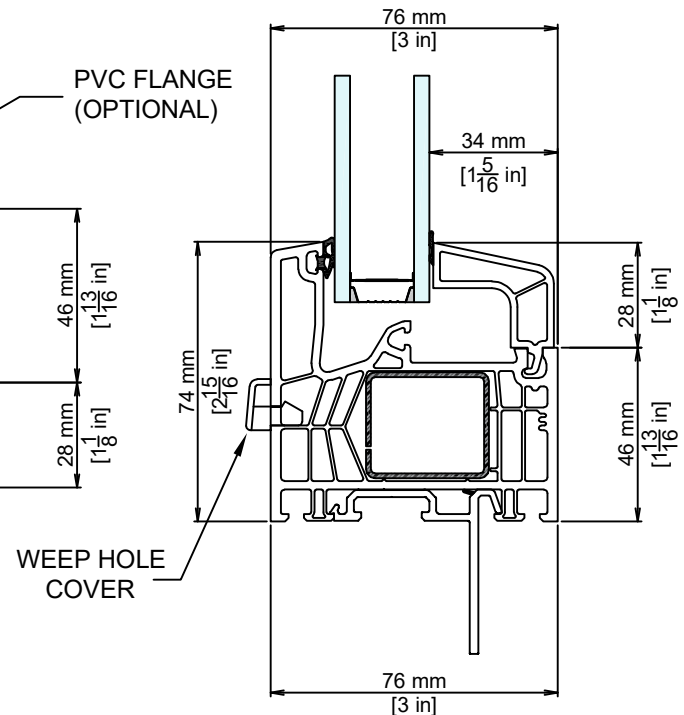
10 ADA ADAPTABLE LOW SILL AT SASH



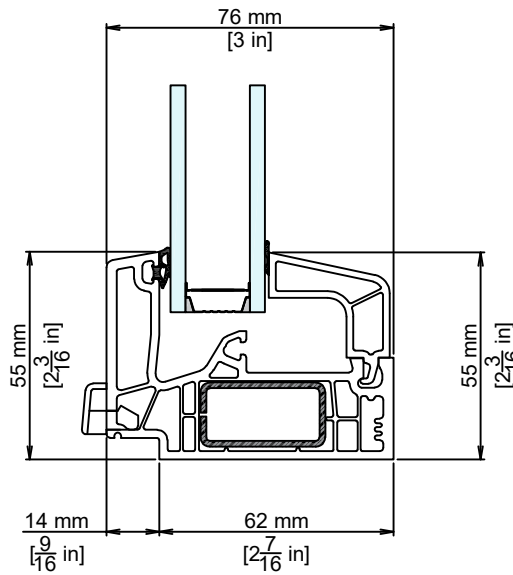
11 HEAD/JAMB AT FIXED



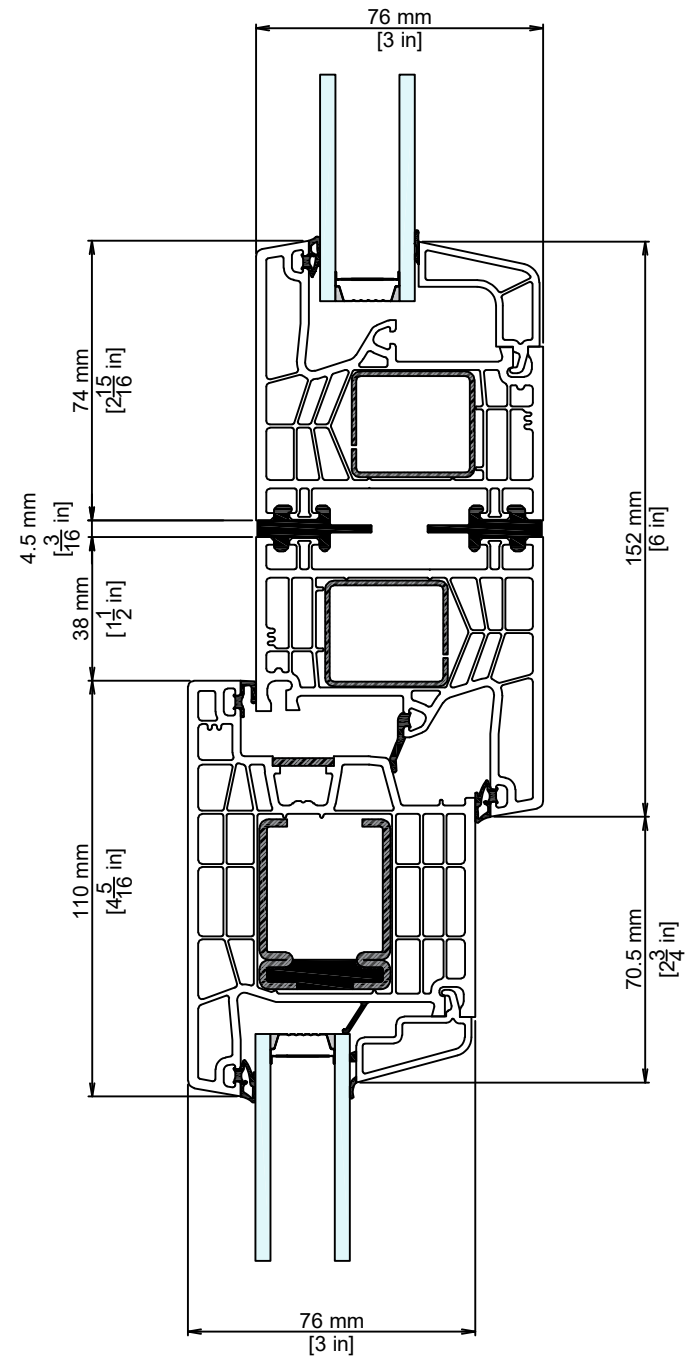
12 HIGH PERF. SILL AT FIXED



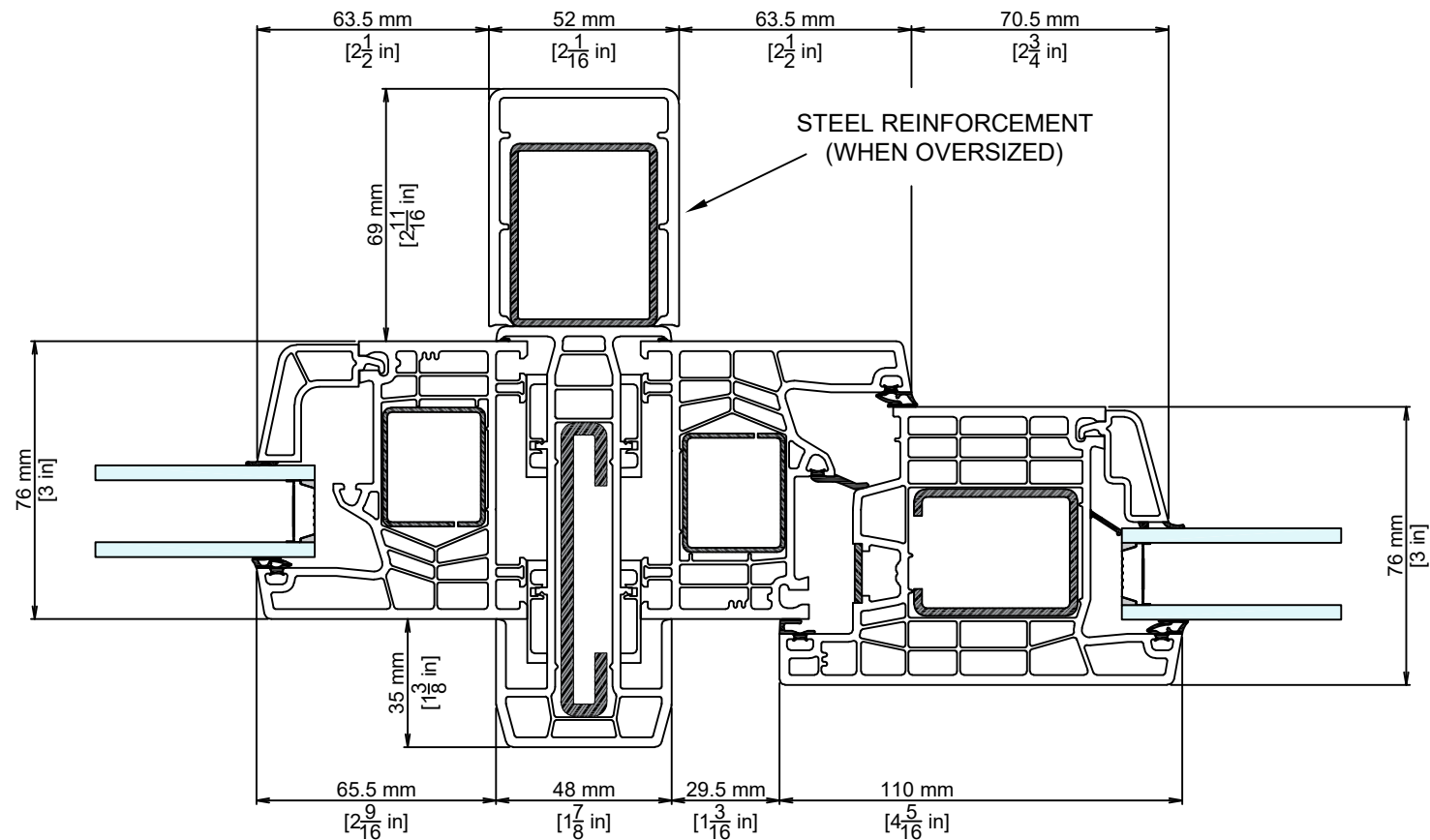
13 LOW SILL AT FIXED



14 ZERO-COUPLER AT FIXED/SASH



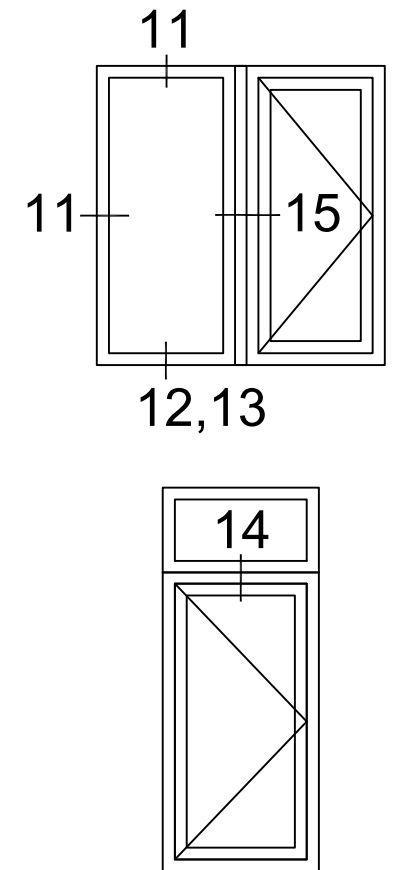
15 H-COUPLER AT FIXED/SASH



PRODUCT SERIES:

**DEFENDER 76TS**

DOOR CONFIGURATIONS  
(AS VIEWED FROM EXTERIOR)



REVISIONS

| NO. | DATE       | DESCRIPTION                        |
|-----|------------|------------------------------------|
| 2.0 | 8/3/2023   | UNITS OF MEASURE CHANGE            |
| 3.0 | 7/10/2024  | INSTALLATION CHANGE                |
| 4.0 | 2/14/2025  | THERMALLY BROKEN SASH STEEL ADDED  |
| 5.0 | 10/14/2025 | ZERO COUPLER & HANDLE DETAIL ADDED |
| 6.0 | 04/08/2026 | CLEAR OPENING WIDTH: 850MM         |
| 7.0 | 5/13/2026  | DIMENSIONS ADDED                   |

DRAWING TYPE:  
OUTSWING TERRACE SWING DOORS

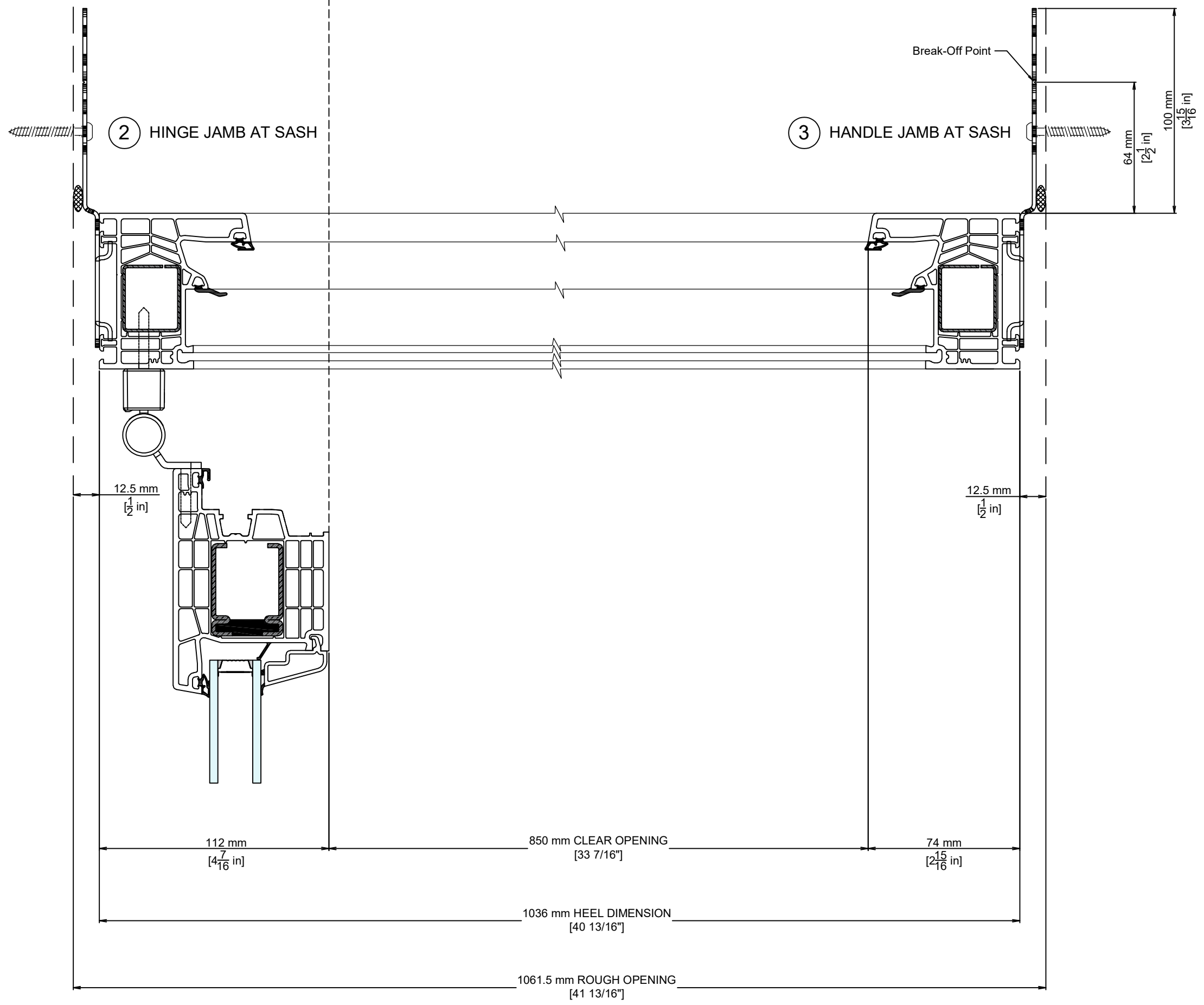
PAGE:

GLASS:  
DOUBLE GLAZED

SCALE:  
1:2

DRAWN BY:  
J.IMBERY

3 of 5

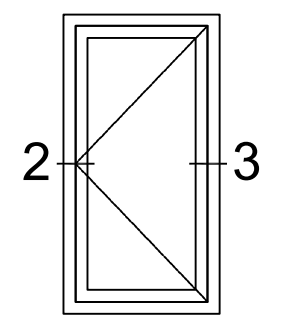


PRODUCT SERIES:

**DEFENDER 76TS**

DOOR CONFIGURATIONS  
(AS VIEWED FROM EXTERIOR)

CLEAR OPENING



REVISIONS

| NO. | DATE       | DESCRIPTION                        |
|-----|------------|------------------------------------|
| 2.0 | 8/3/2023   | UNITS OF MEASURE CHANGE            |
| 3.0 | 7/10/2024  | INSTALLATION CHANGE                |
| 4.0 | 2/14/2025  | THERMALLY BROKEN SASH STEEL ADDED  |
| 5.0 | 10/14/2025 | ZERO COUPLER & HANDLE DETAIL ADDED |
| 6.0 | 04/08/2026 | CLEAR OPENING WIDTH: 850MM         |
| 7.0 | 5/13/2026  | DIMENSIONS ADDED                   |

DRAWING TYPE:  
**OUTSWING TERRACE SWING DOORS**

GLASS:  
DOUBLE GLAZED

SCALE:  
1:2

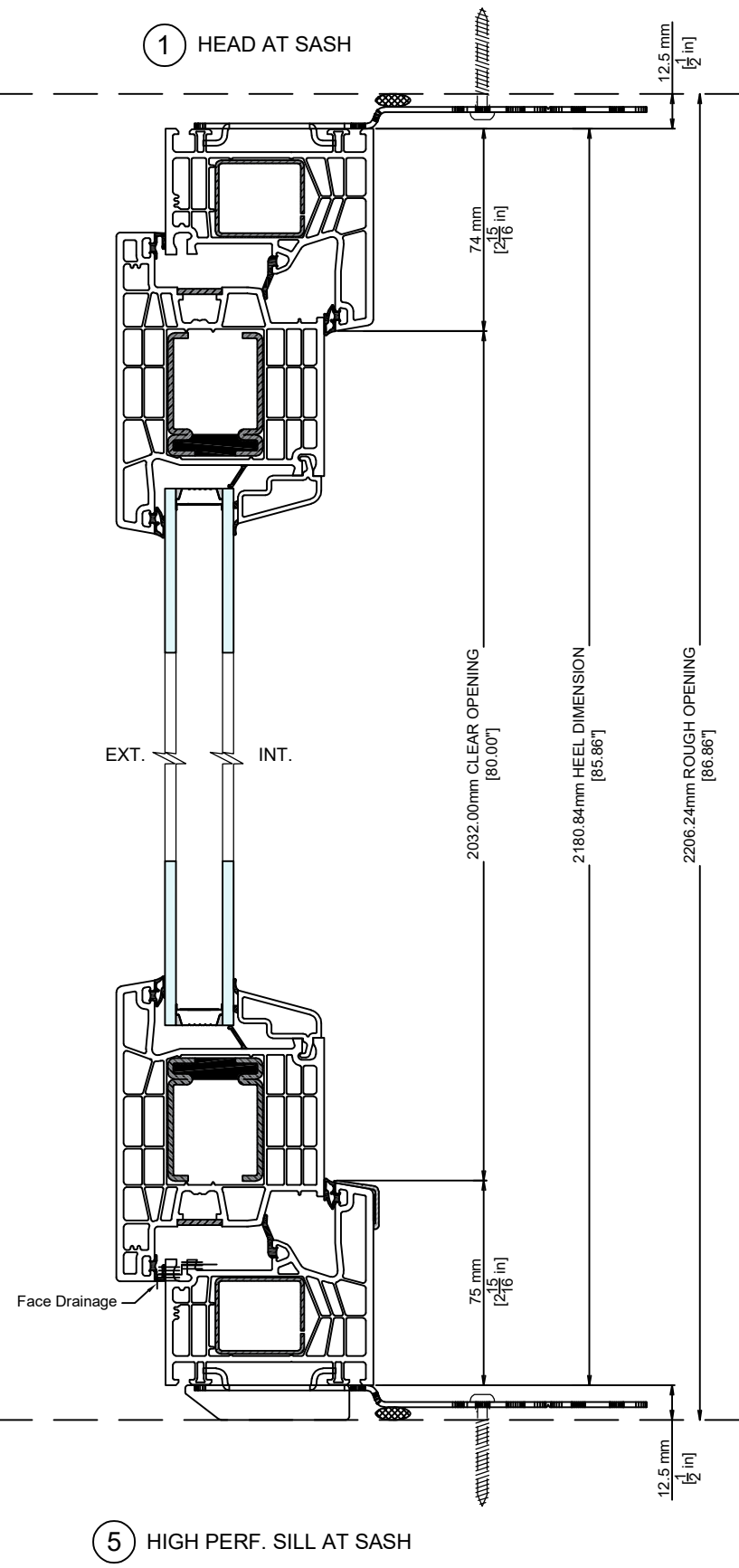
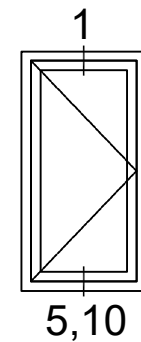
DRAWN BY:  
J.IMBERY

PRODUCT SERIES:

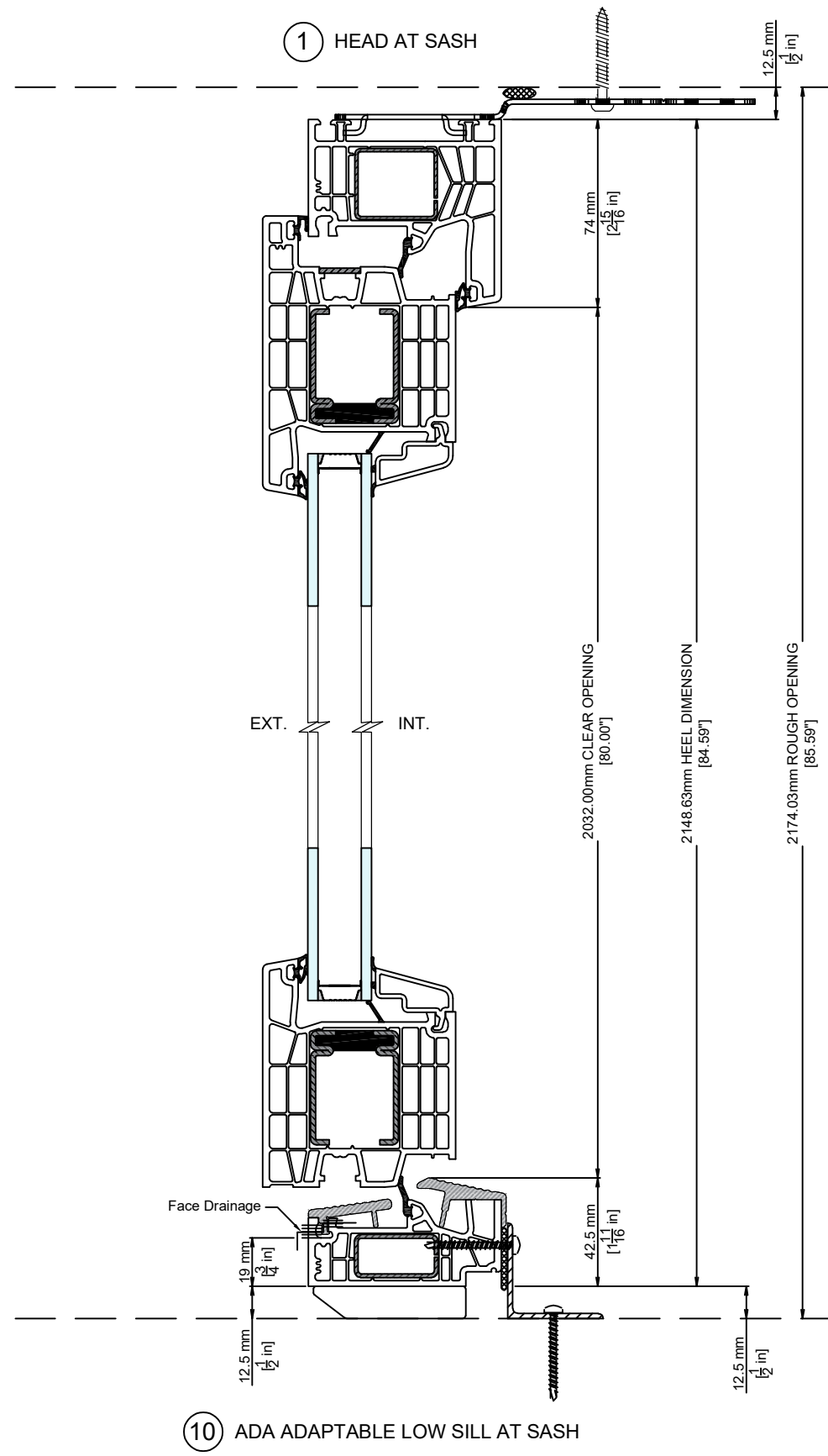
**DEFENDER 76TS**

DOOR CONFIGURATIONS  
(AS VIEWED FROM EXTERIOR)

CLEAR OPENING



5 HIGH PERF. SILL AT SASH



10 ADA ADAPTABLE LOW SILL AT SASH

REVISIONS

| NO. | DATE       | DESCRIPTION                        |
|-----|------------|------------------------------------|
| 2.0 | 8/3/2023   | UNITS OF MEASURE CHANGE            |
| 3.0 | 7/10/2024  | INSTALLATION CHANGE                |
| 4.0 | 2/14/2025  | THERMALLY BROKEN SASH STEEL ADDED  |
| 5.0 | 10/14/2025 | ZERO COUPLER & HANDLE DETAIL ADDED |
| 6.0 | 04/08/2026 | CLEAR OPENING WIDTH: 850MM         |
| 7.0 | 5/13/2026  | DIMENSIONS ADDED                   |

DRAWING TYPE:  
OUTSWING TERRACE SWING DOORS

PAGE:

GLASS: DOUBLE GLAZED SCALE: 1:2.5 DRAWN BY: J.IMBERY

5 of 5