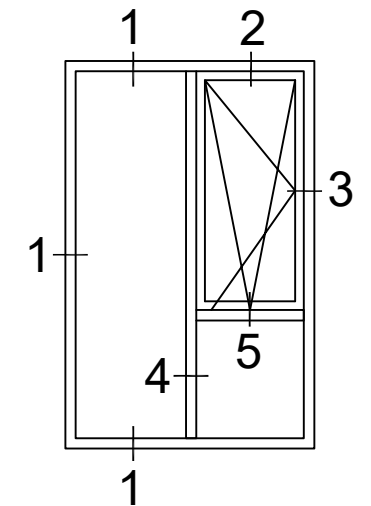


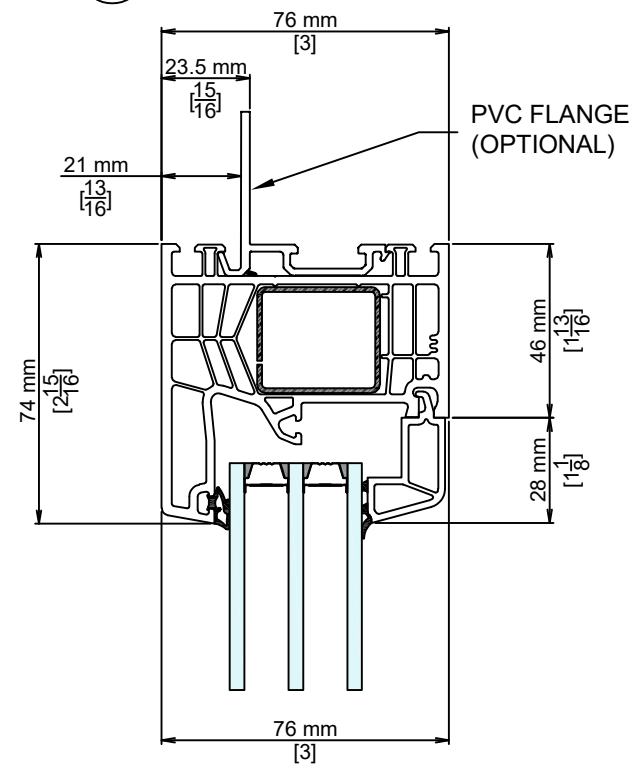
PRODUCT SERIES:

DEFENDER 76TS

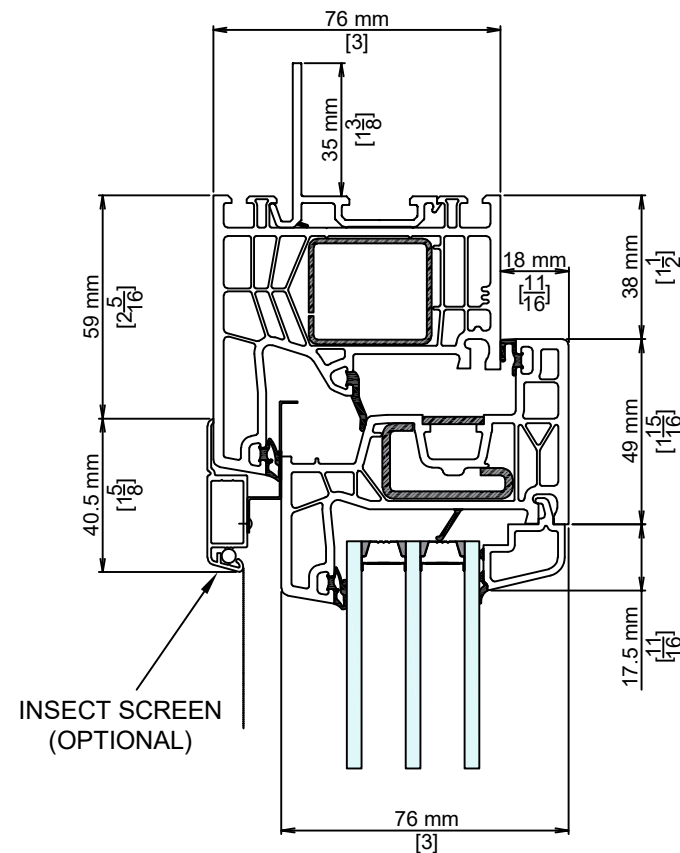
WINDOW CONFIGURATIONS
(AS VIEWED FROM EXTERIOR)



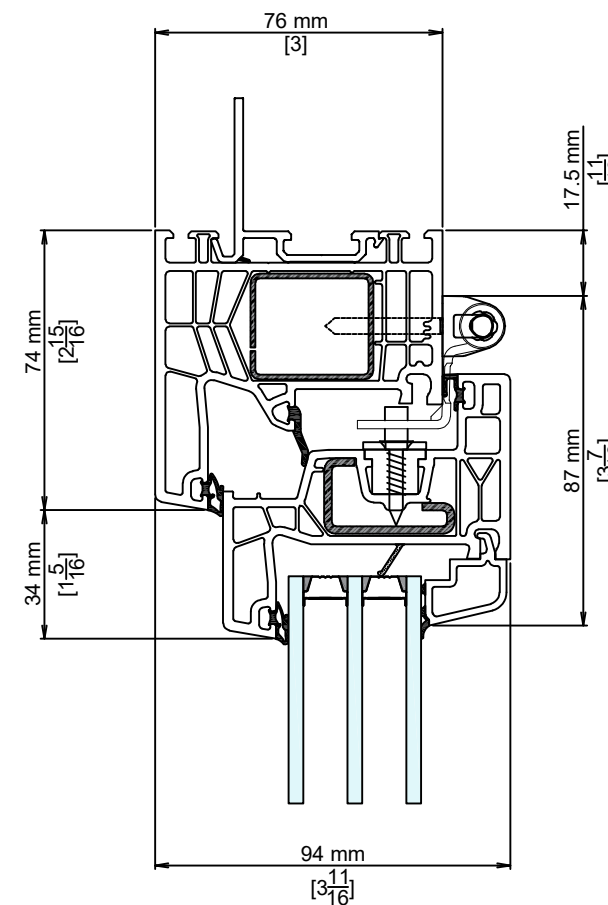
1 HEAD/JAMB/SILL AT FIXED



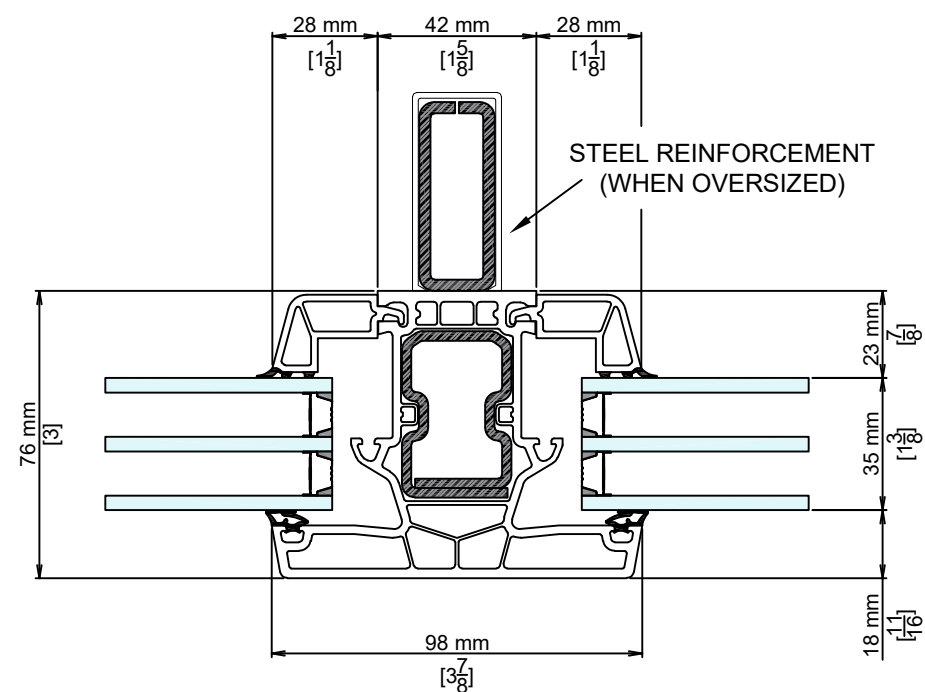
2 HEAD/JAMB/SILL AT SASH



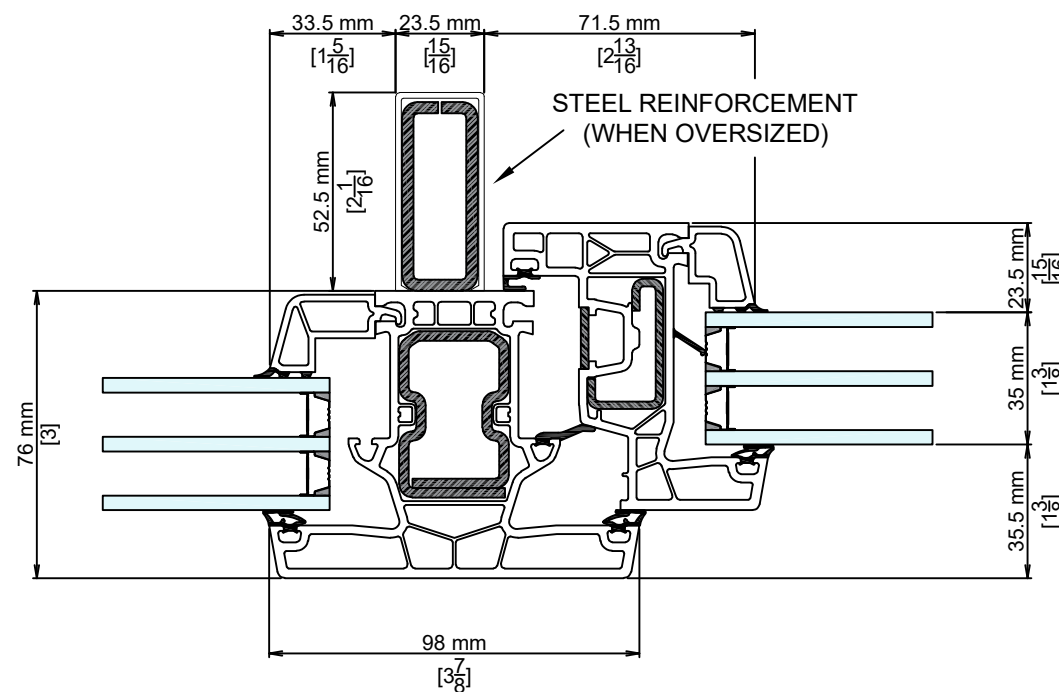
3 JAMB AT SASH



4 T-MULLION AT FIXED/FIXED



5 T-MULLION AT FIXED/SASH



REVISIONS

NO.	DATE	DESCRIPTION
2.0	8/3/2023	UNITS OF MEASURE CHANGE
3.0	2/14/2025	HATCHING CHANGES
4.0	12/10/2025	ZERO COUPLER ADDED
5.0	19/01/2026	EXTRA DIMENSIONS ADDED
6.0	12/05/2026	DIMENSIONS ADDED

DRAWING TYPE:
76TS T&T WINDOWS

PAGE:

GLASS:
TRIPLE GLAZED

SCALE:
1:2

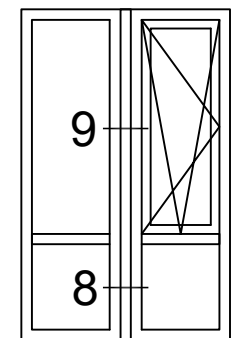
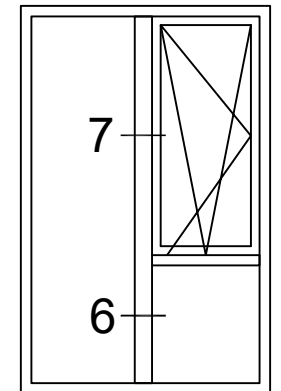
DRAWN BY:
J.IMBERY

1 of 5

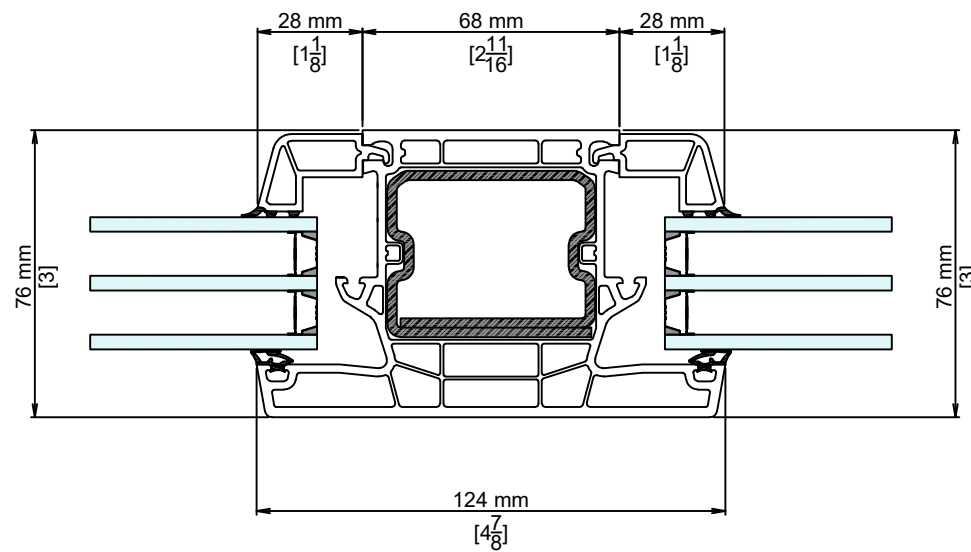
PRODUCT SERIES:

DEFENDER 76TS

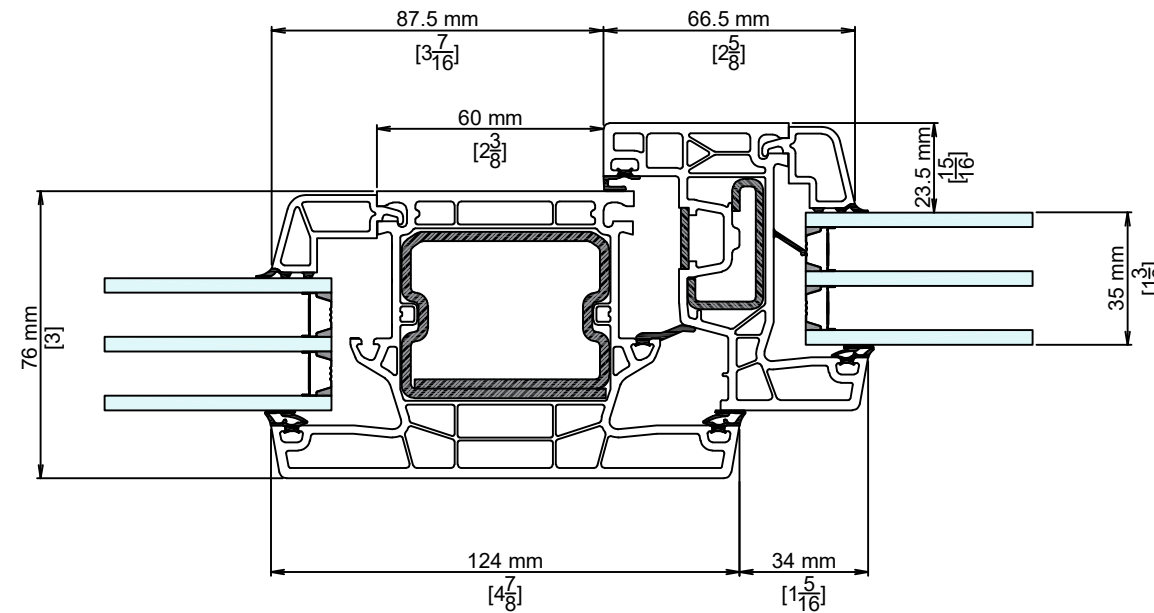
WINDOW CONFIGURATIONS
(AS VIEWED FROM EXTERIOR)



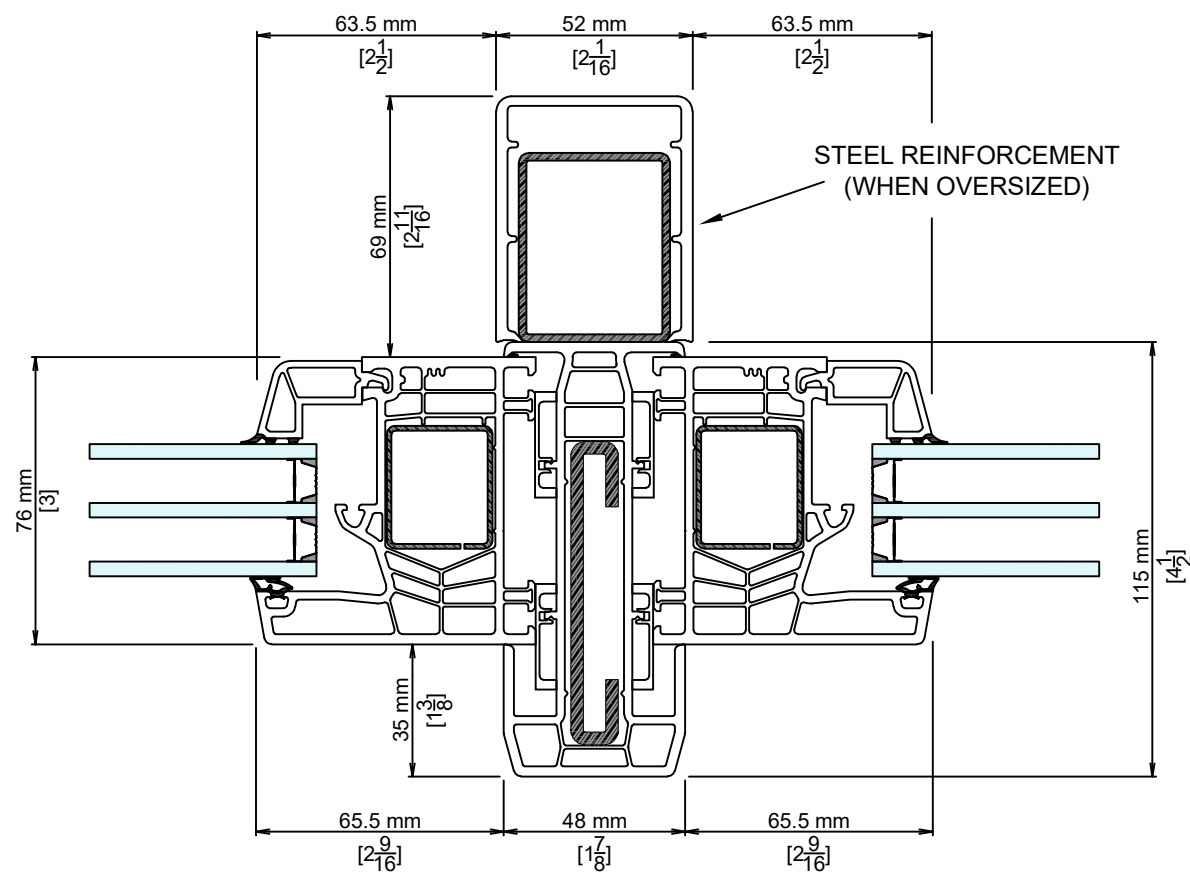
6 LARGE T-MULLION AT FIXED/FIXED



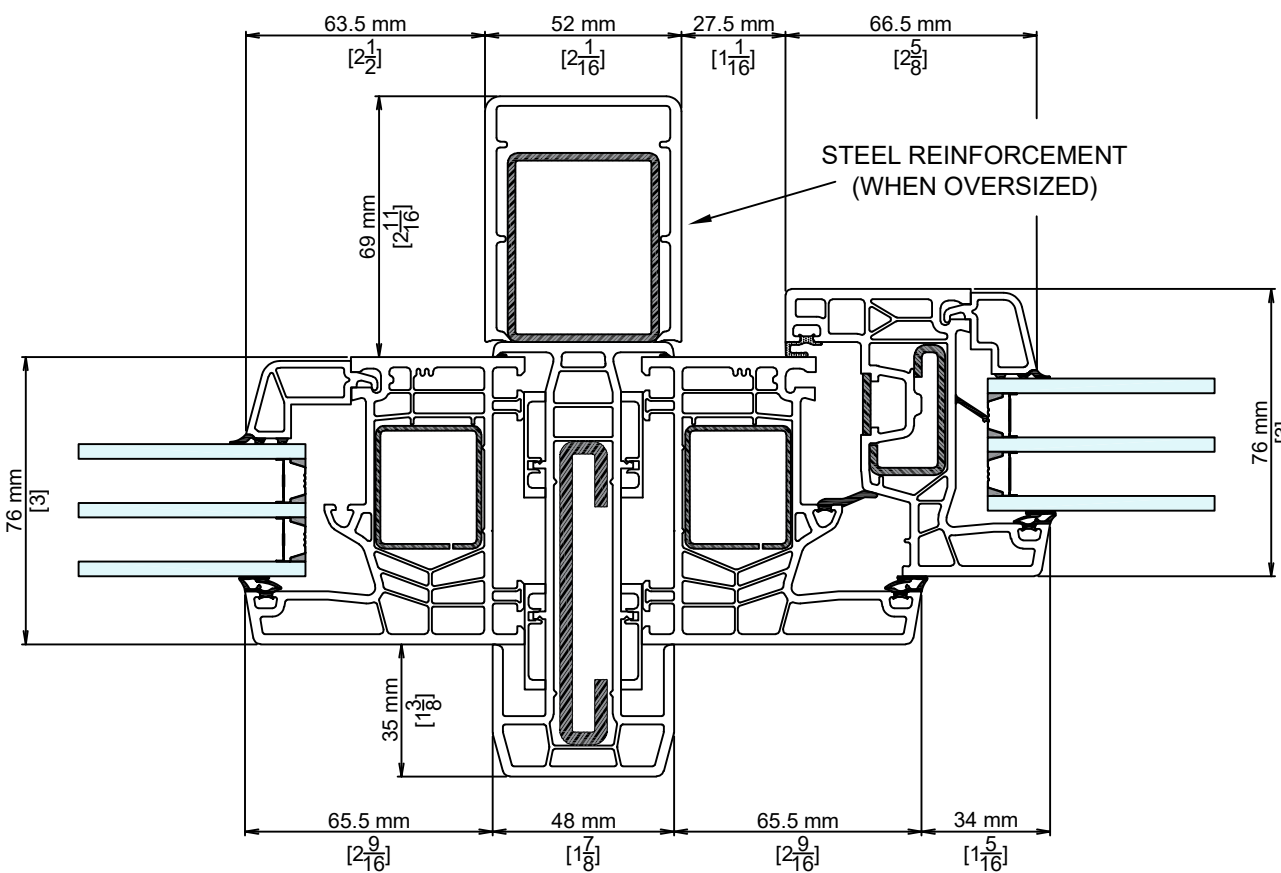
7 LARGE T-MULLION AT SASH



8 H-COUPLER AT FIXED/FIXED



9 H-COUPLER AT FIXED/SASH



REVISIONS

NO.	DATE	DESCRIPTION
2.0	8/3/2023	UNITS OF MEASURE CHANGE
3.0	2/14/2025	HATCHING CHANGES
4.0	12/10/2025	ZERO COUPLER ADDED
5.0	19/01/2026	EXTRA DIMENSIONS ADDED
6.0	12/05/2026	DIMENSIONS ADDED

DRAWING TYPE:
76TS T&T WINDOWS

PAGE:

GLASS:
TRIPLE GLAZED

SCALE:
1:2

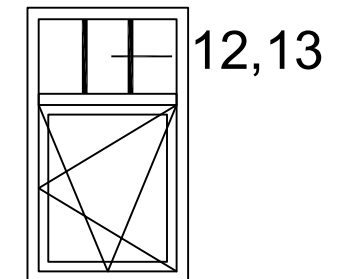
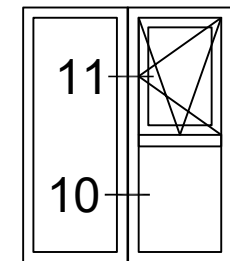
DRAWN BY:
J.IMBERY

2 of 5

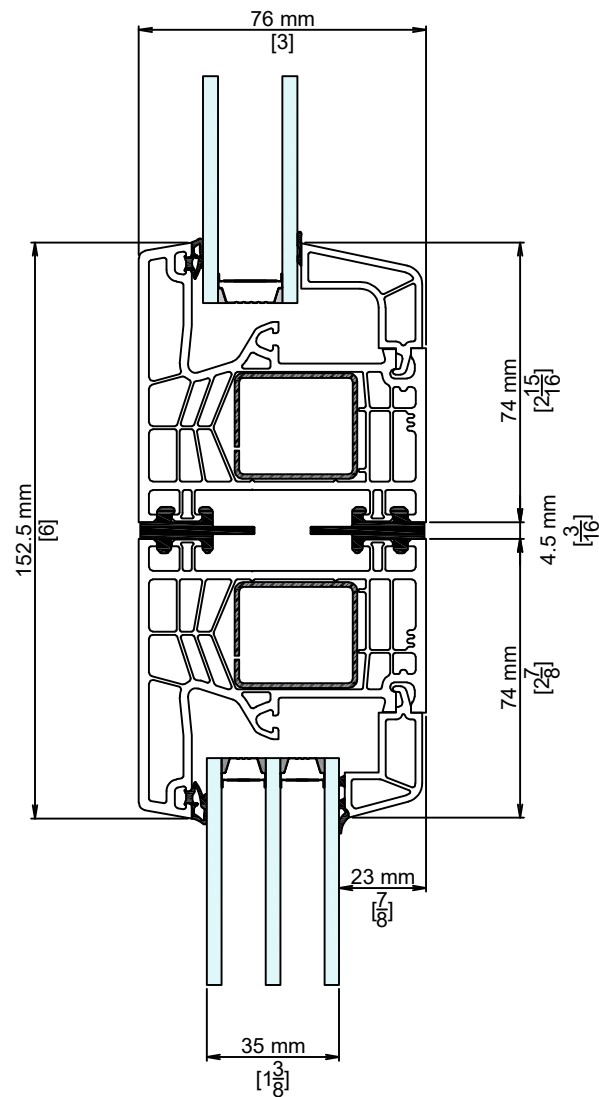
PRODUCT SERIES:

DEFENDER 76TS

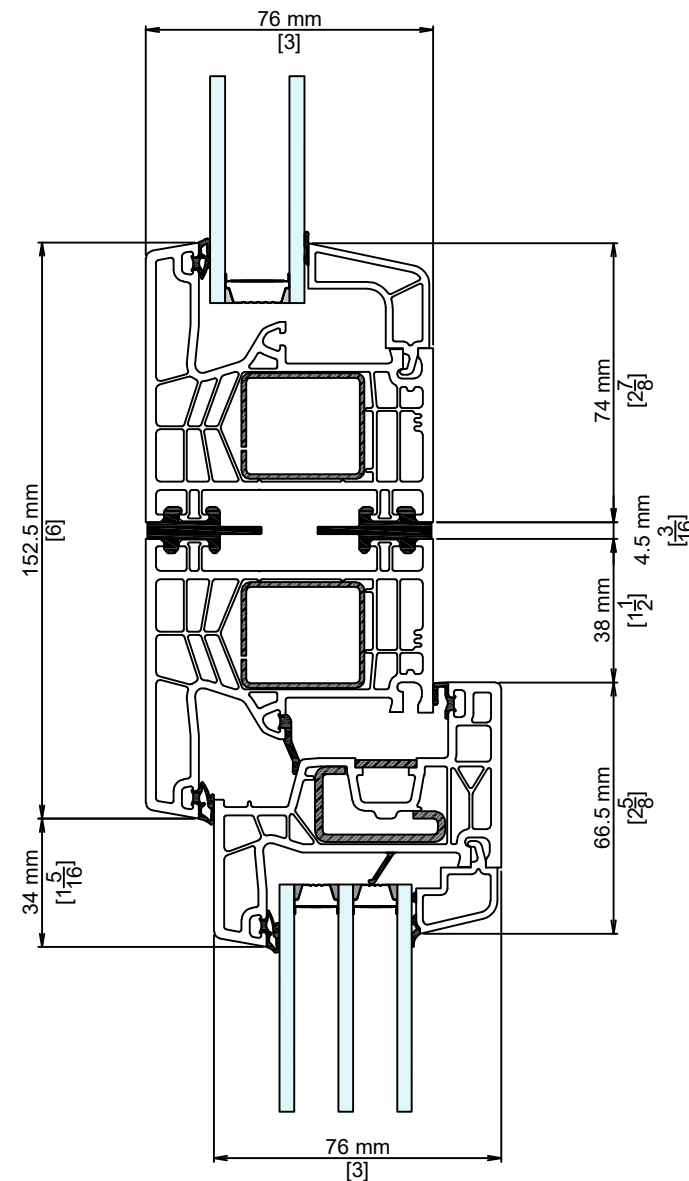
WINDOW CONFIGURATIONS
(AS VIEWED FROM EXTERIOR)



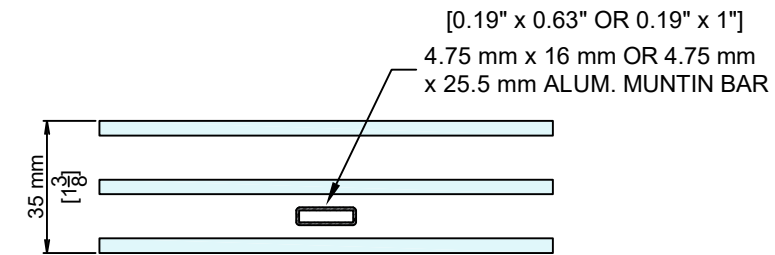
10 ZERO COUPLER AT FIXED/FIXED



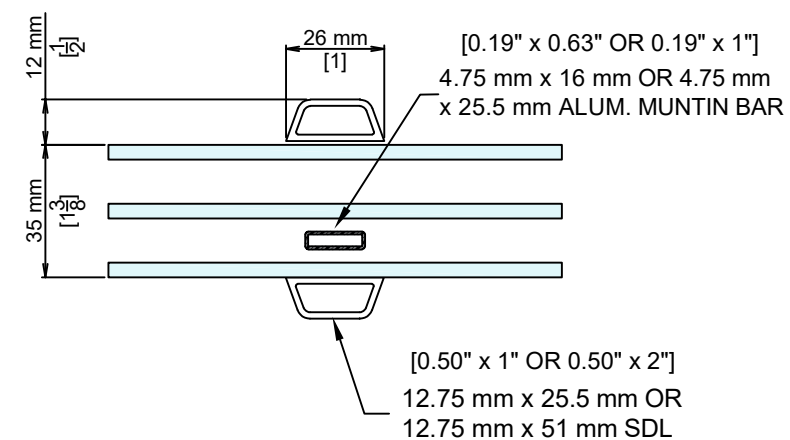
11 ZERO COUPLER AT FIXED/SASH



12 INTERNAL GRID



13 SIMULATED DIVIDED LIGHT (SDL)



REVISIONS

NO.	DATE	DESCRIPTION
2.0	8/3/2023	UNITS OF MEASURE CHANGE
3.0	2/14/2025	HATCHING CHANGES
4.0	12/10/2025	ZERO COUPLER ADDED
5.0	19/01/2026	EXTRA DIMENSIONS ADDED
6.0	12/05/2026	DIMENSIONS ADDED

DRAWING TYPE:
76TS T&T WINDOWS

PAGE:

GLASS:
TRIPLE GLAZED

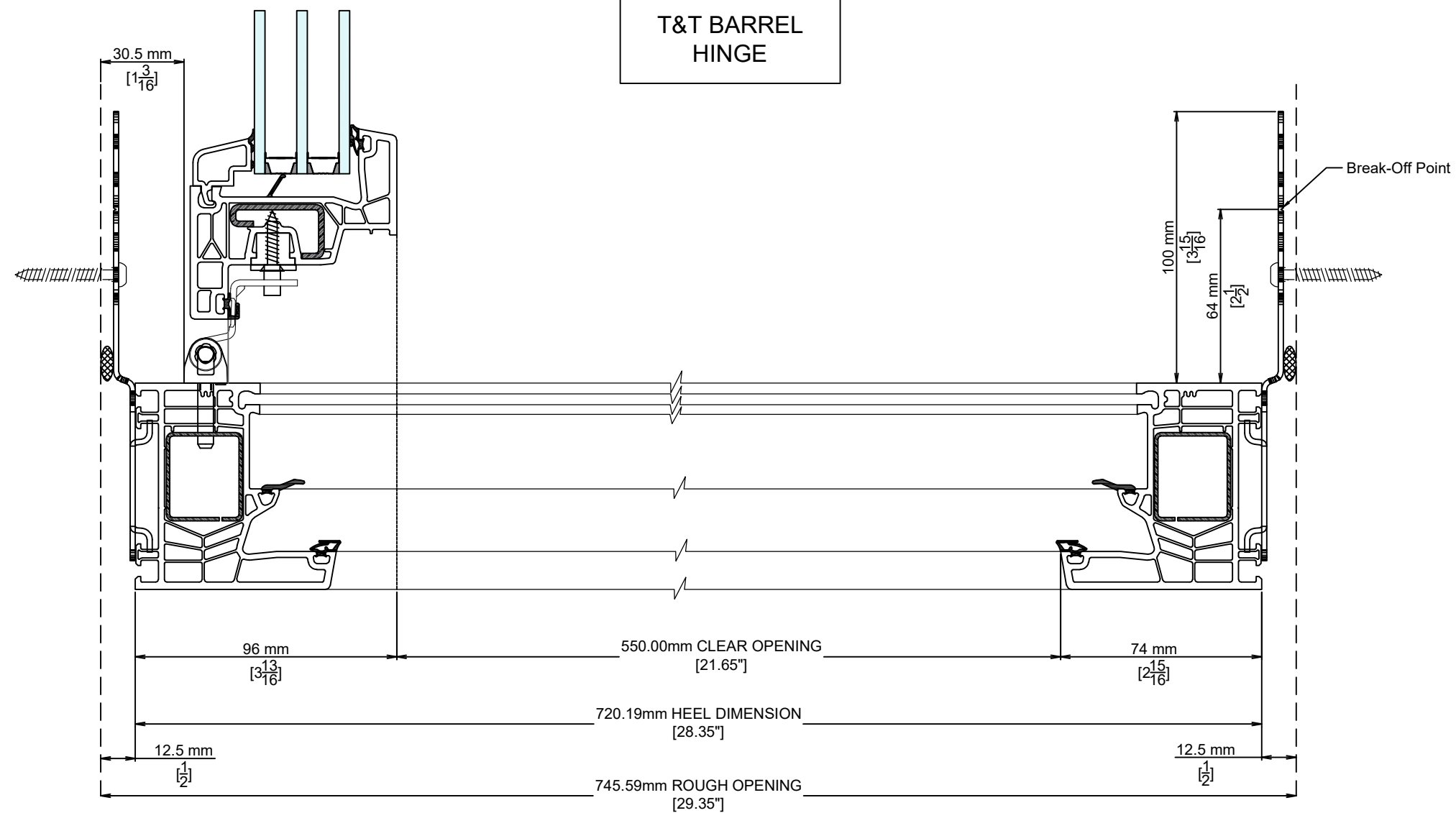
SCALE:
1:2

DRAWN BY:
J.IMBERY

3 of 5

CLEAR OPENING

T&T BARREL HINGE



2 JAMB AT SASH

PRODUCT SERIES:

DEFENDER 76TS

WINDOW CONFIGURATIONS
(AS VIEWED FROM EXTERIOR)

REVISIONS

NO.	DATE	DESCRIPTION
2.0	8/3/2023	UNITS OF MEASURE CHANGE
3.0	2/14/2025	HATCHING CHANGES
4.0	12/10/2025	ZERO COUPLER ADDED
5.0	19/01/2026	EXTRA DIMENSIONS ADDED
6.0	12/05/2026	DIMENSIONS ADDED

DRAWING TYPE:
76TS T&T WINDOWS

PAGE:

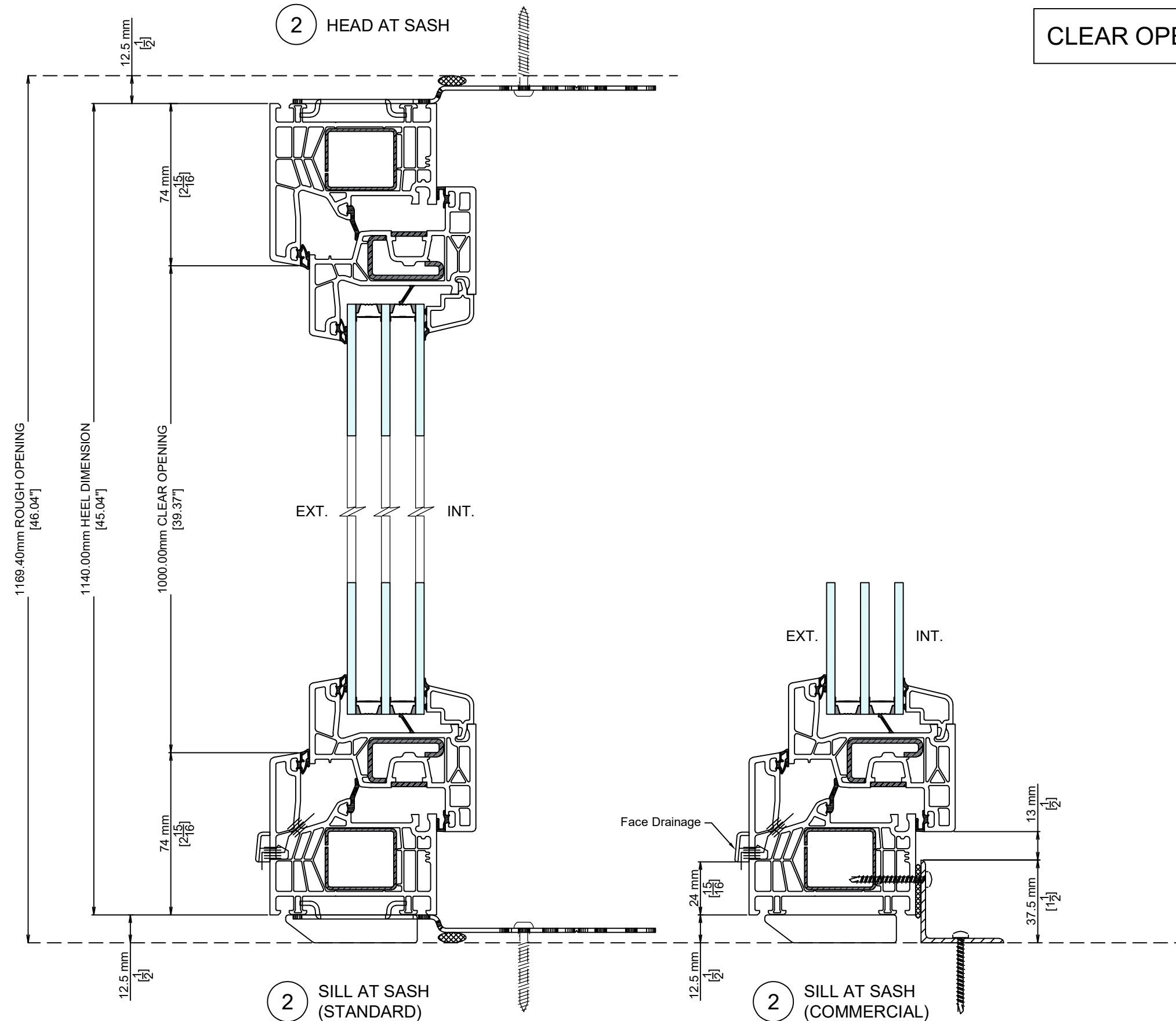
GLASS: TRIPLE GLAZED SCALE: 1:2 DRAWN BY: J.IMBERY

4 of 5

PRODUCT SERIES:

DEFENDER 76TS

WINDOW CONFIGURATIONS
(AS VIEWED FROM EXTERIOR)



REVISIONS

NO.	DATE	DESCRIPTION
2.0	8/3/2023	UNITS OF MEASURE CHANGE
3.0	2/14/2025	HATCHING CHANGES
4.0	12/10/2025	ZERO COUPLER ADDED
5.0	19/01/2026	EXTRA DIMENSIONS ADDED
6.0	12/05/2026	DIMENSIONS ADDED

DRAWING TYPE:
76TS T&T WINDOWS

PAGE:

GLASS:
TRIPLE GLAZED

SCALE:
1:2

DRAWN BY:
J.IMBERY

5 of 5