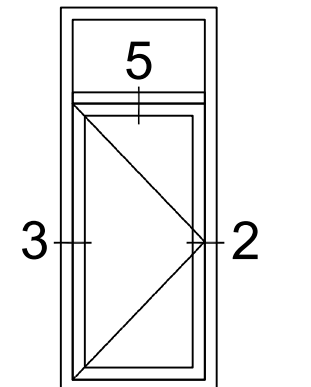
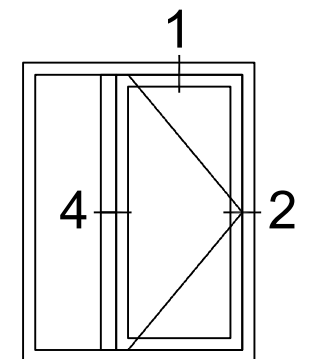


PRODUCT SERIES:

**DEFENDER 88PH+ PRO**

DOOR CONFIGURATIONS  
(AS VIEWED FROM EXTERIOR)



REVISIONS

NO.	DATE	DESCRIPTION
6.0	8/4/2023	COUPLER INSULATION CHANGE
7.0	8/29/2024	RAIN DEFLECTOR ADDED TO ADA DOOR SILL
8.0	2/10/2025	THERMALLY BROKEN SASH STEEL ADDED
9.0	8/1/2025	ZERO COUPLER & HANDLE DETAIL ADDED
10.0	5/13/2026	DIMENSIONS ADDED

DRAWING TYPE:  
INSWING TERRACE SWING DOORS

PAGE:

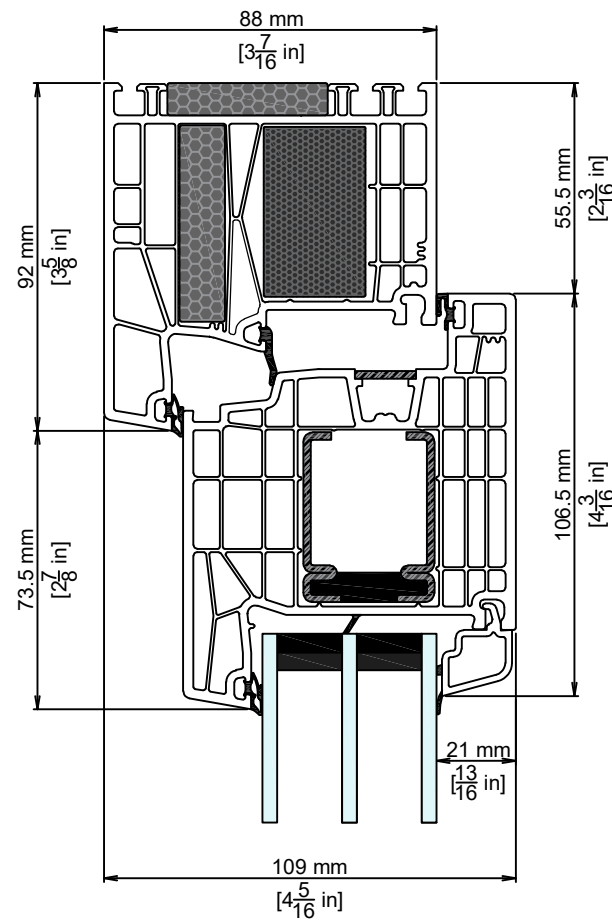
GLASS:  
TRIPLE GLAZED

SCALE:  
1:2

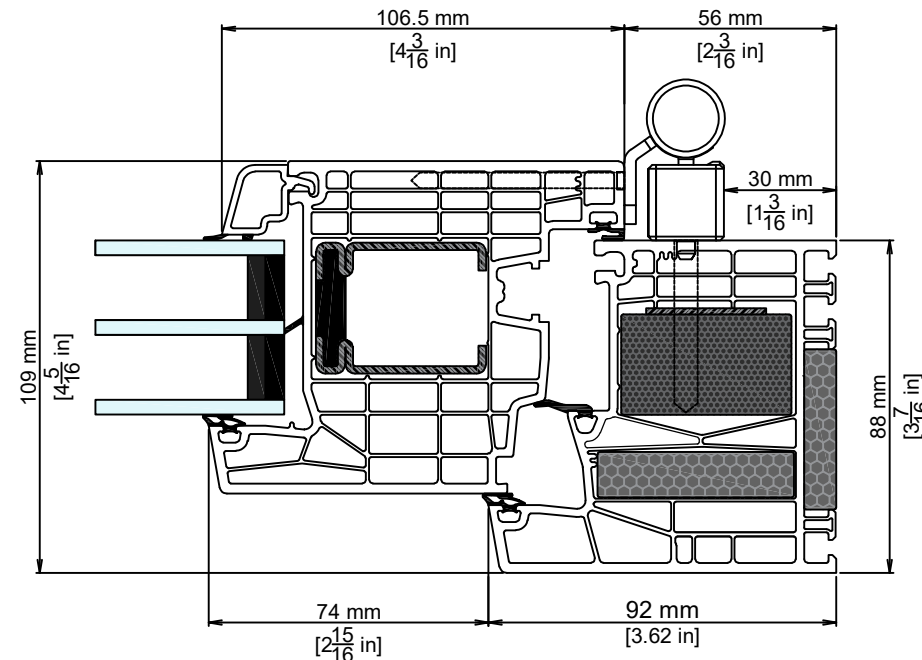
DRAWN BY:  
J.IMBERY

1 of 5

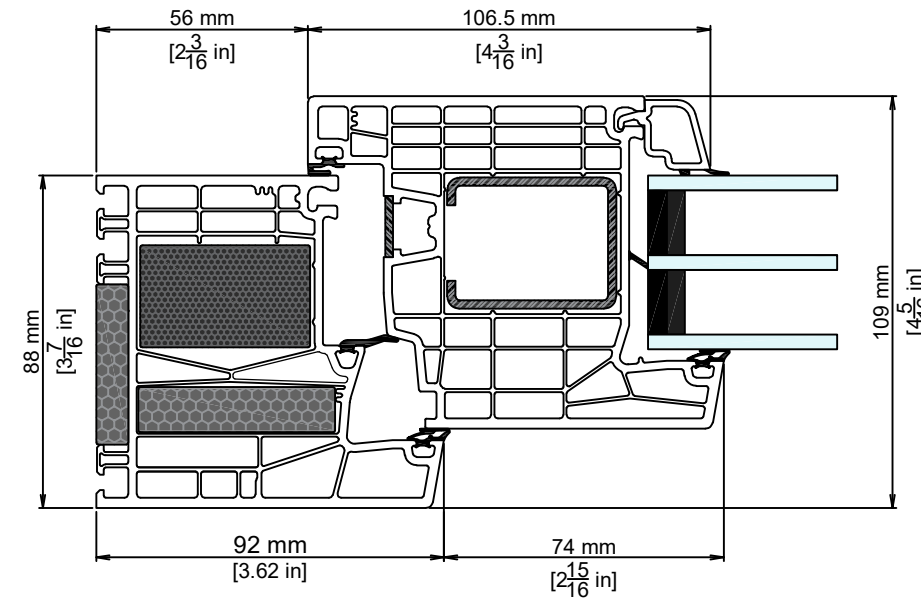
1 HEAD AT SASH



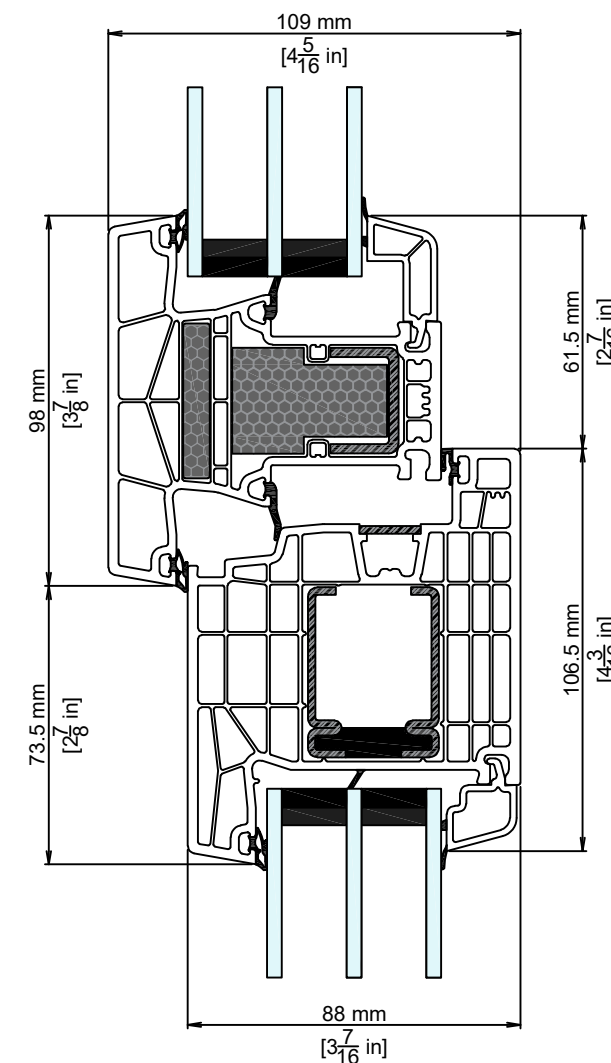
2 HINGE JAMB AT SASH



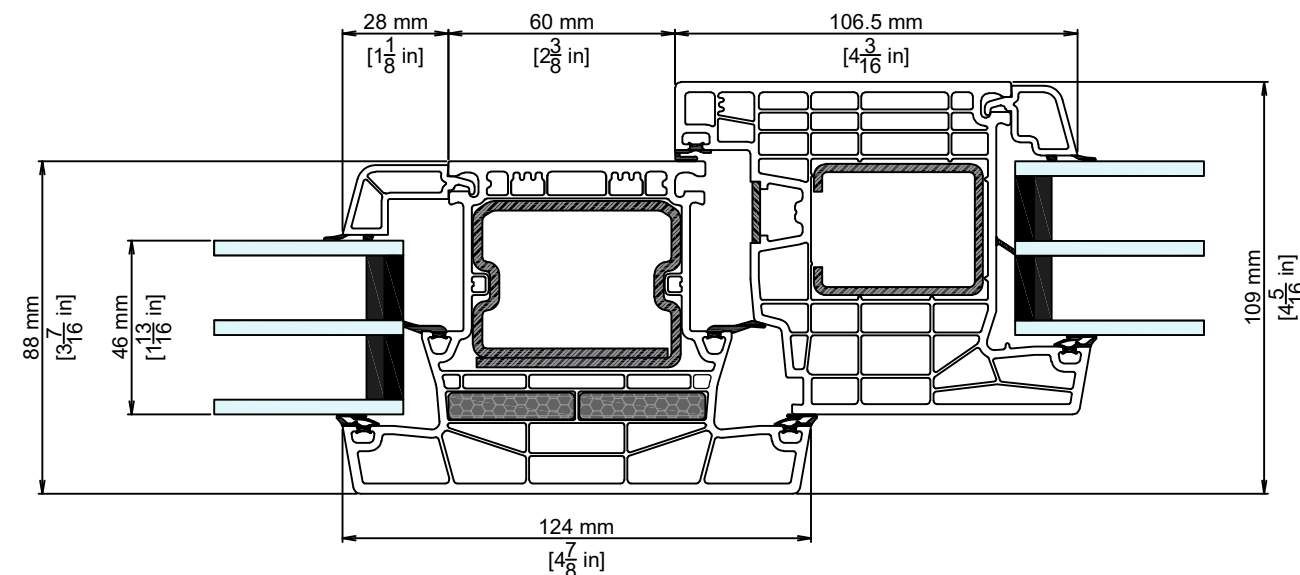
3 HANDLE JAMB AT SASH



5 T-MULLION AT SASH



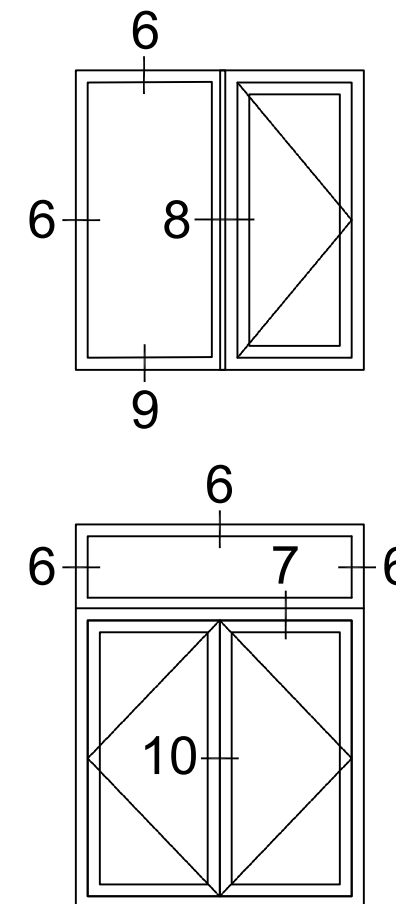
4 LARGE T-MULLION AT SASH



PRODUCT SERIES:

**DEFENDER 88PH+ PRO**

DOOR CONFIGURATIONS  
(AS VIEWED FROM EXTERIOR)



REVISIONS

NO.	DATE	DESCRIPTION
6.0	8/4/2023	COUPLER INSULATION CHANGE
7.0	8/29/2024	RAIN DEFLECTOR ADDED TO ADA DOOR SILL
8.0	2/10/2025	THERMALLY BROKEN SASH STEEL ADDED
9.0	8/1/2025	ZERO COUPLER & HANDLE DETAIL ADDED
10.0	5/13/2026	DIMENSIONS ADDED

DRAWING TYPE:  
INSWING TERRACE SWING DOORS

PAGE:

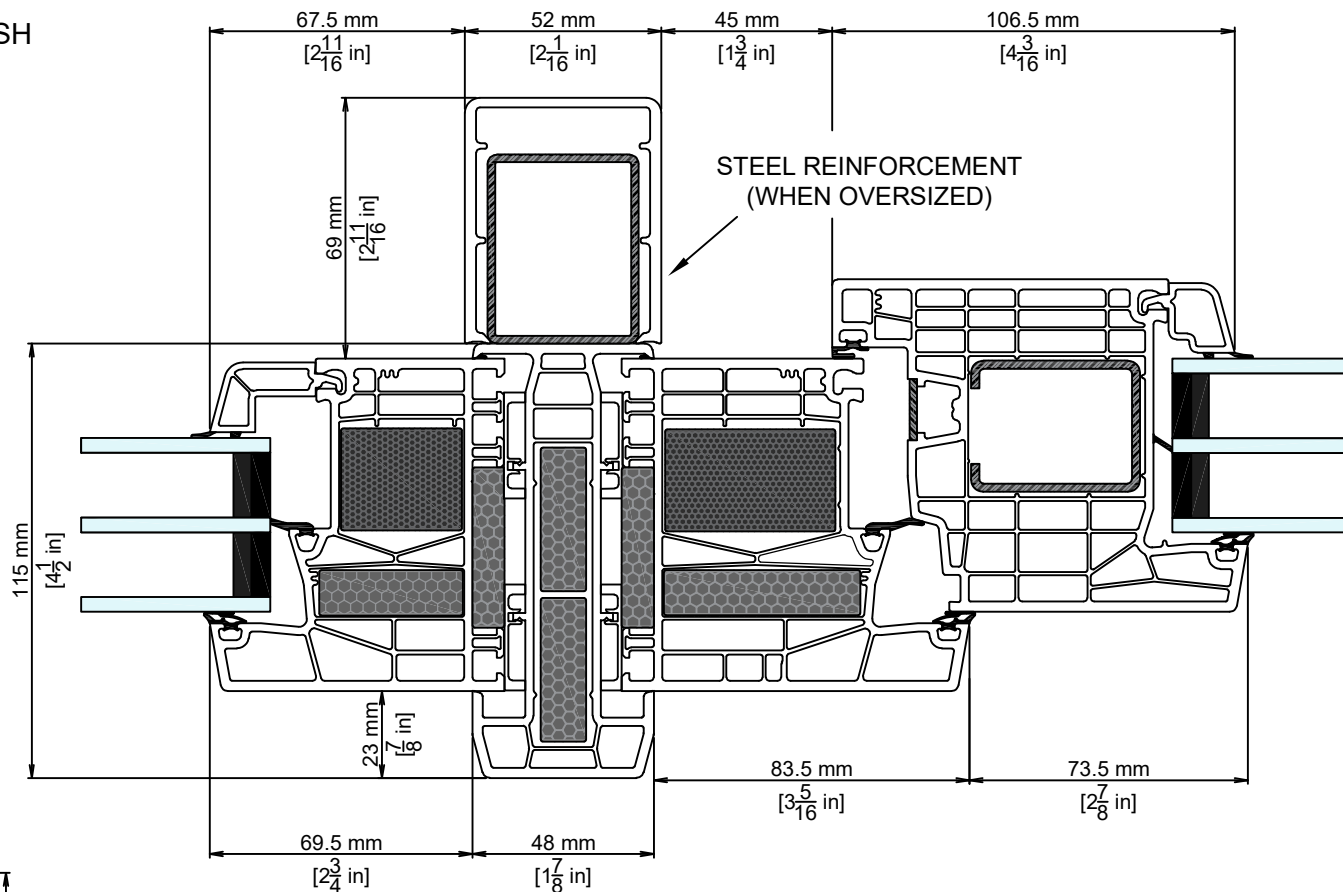
GLASS:  
TRIPLE GLAZED

SCALE:  
1:2

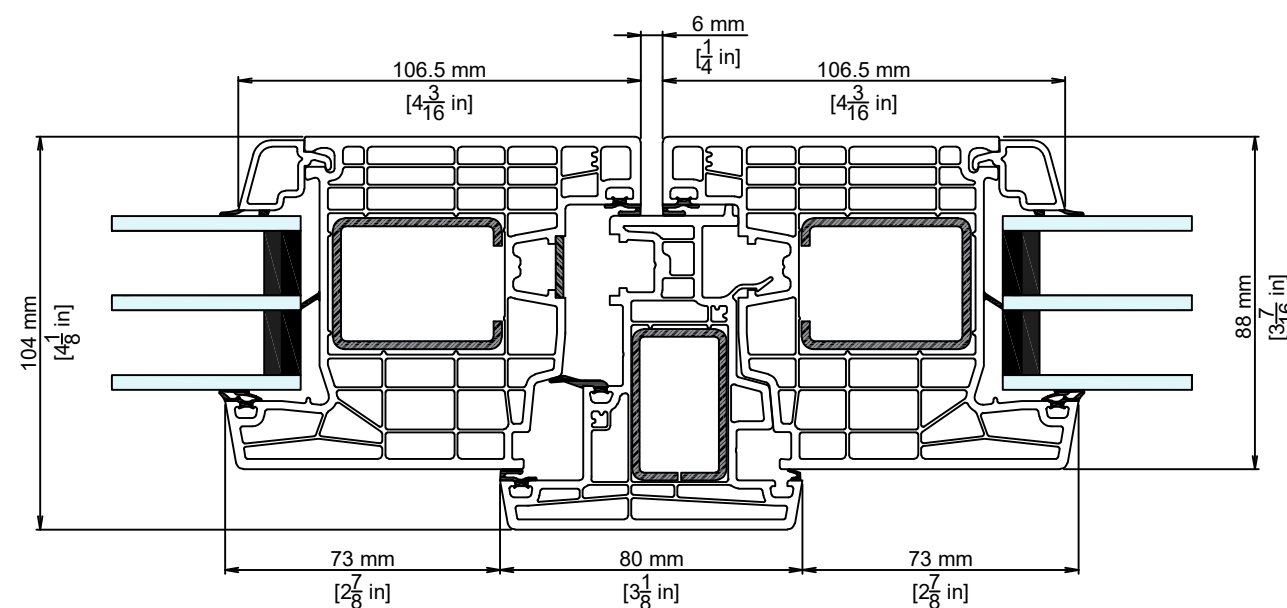
DRAWN BY:  
J.IMBERY

2 of 5

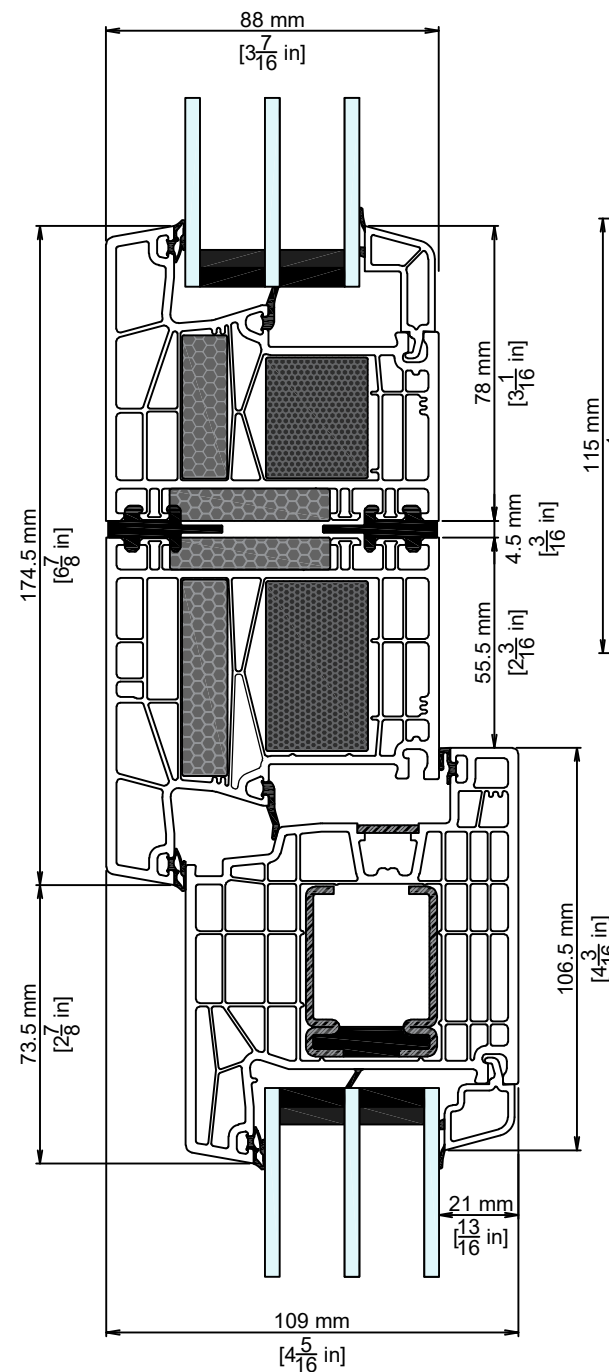
8 H-COUPLER AT FIXED/SASH



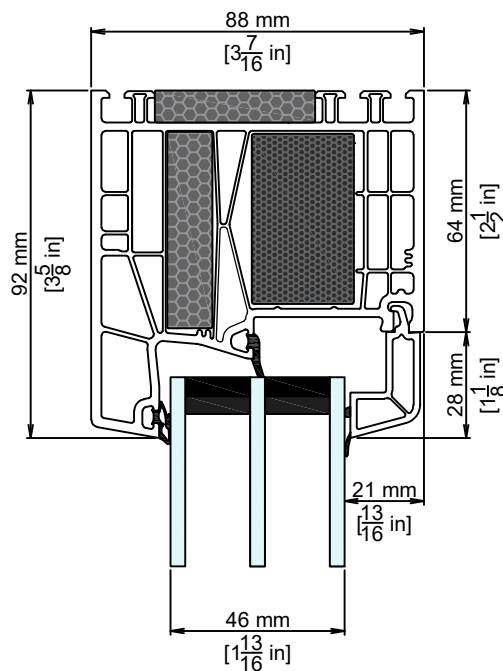
10 ASTRAGAL AT SASH



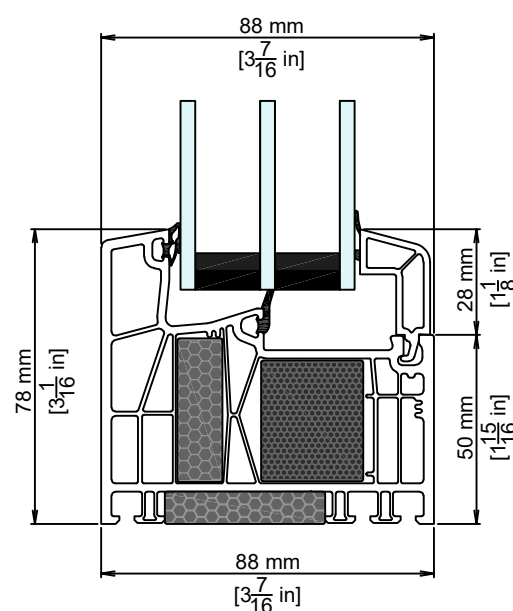
7 ZERO COUPLER AT FIXED/SASH



6 HEAD/JAMB AT FIXED



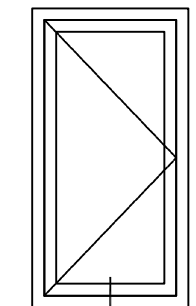
9 SILL AT FIXED



PRODUCT SERIES:

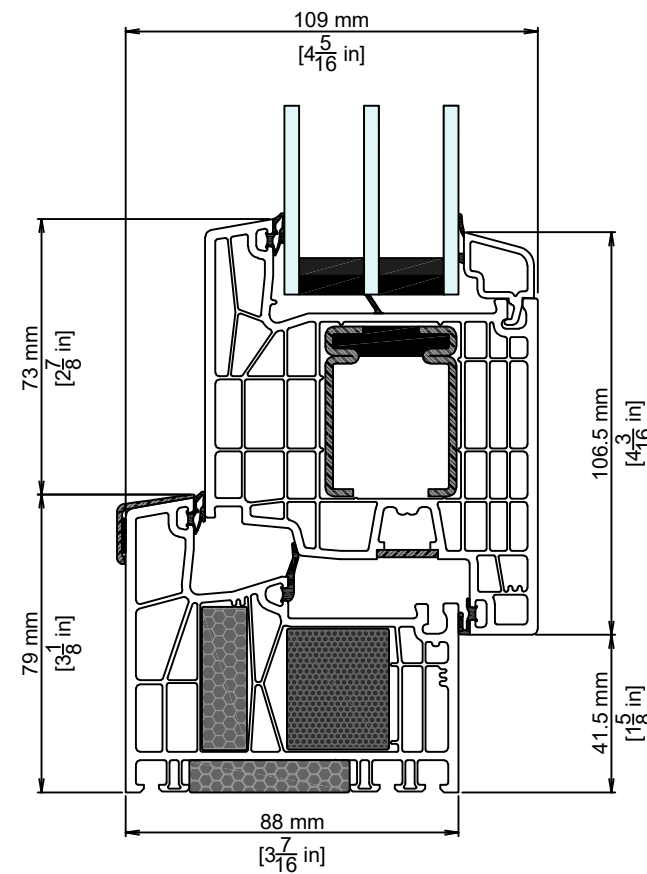
**DEFENDER 88PH+ PRO**

DOOR CONFIGURATIONS  
(AS VIEWED FROM EXTERIOR)

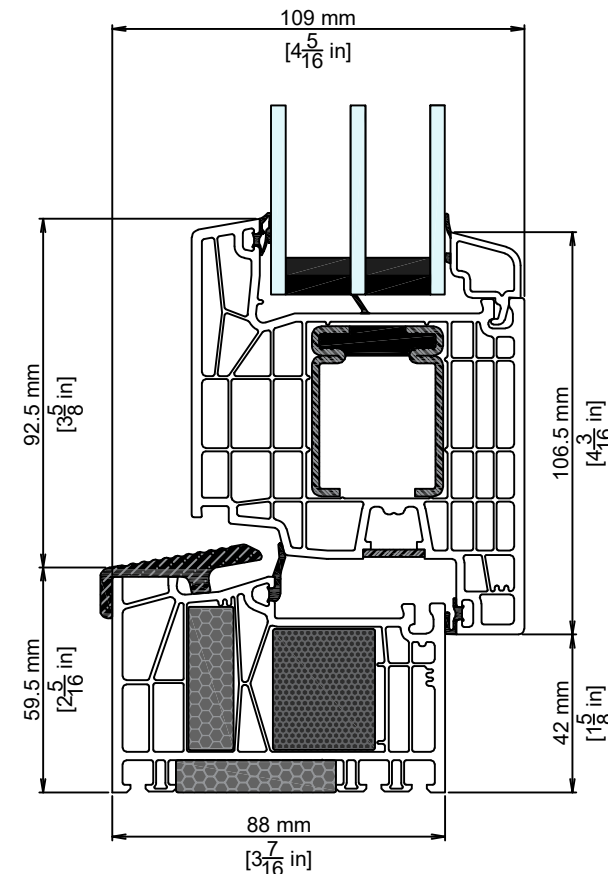


11,12,13

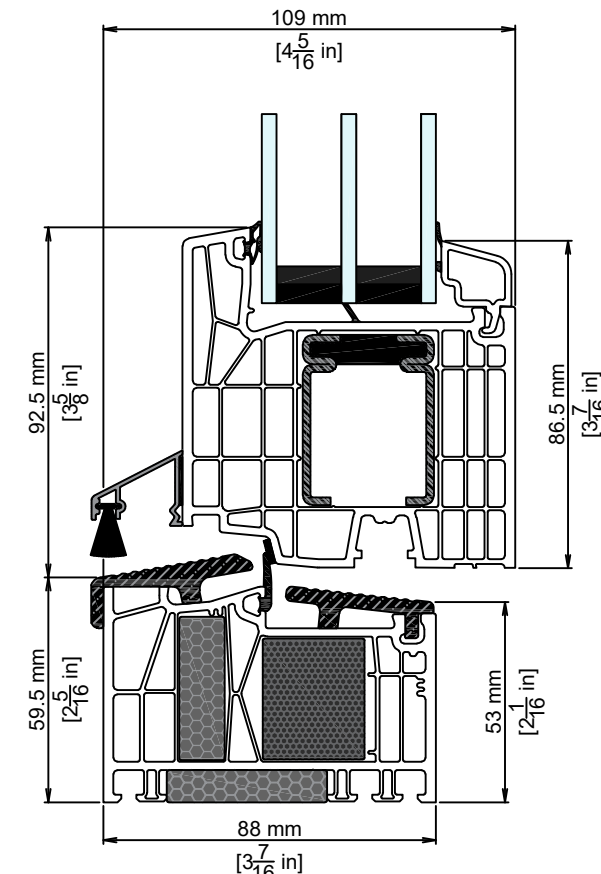
11 HIGH PERF. SILL AT SASH



12 EASY ACCESS SILL AT SASH



13 ADA ADAPTABLE SILL AT SASH



REVISIONS

NO.	DATE	DESCRIPTION
6.0	8/4/2023	COUPLER INSULATION CHANGE
7.0	8/29/2024	RAIN DEFLECTOR ADDED TO ADA DOOR SILL
8.0	2/10/2025	THERMALLY BROKEN SASH STEEL ADDED
9.0	8/1/2025	ZERO COUPLER & HANDLE DETAIL ADDED
10.0	5/13/2026	DIMENSIONS ADDED

DRAWING TYPE:  
INSWING TERRACE SWING DOORS

PAGE:

GLASS:  
TRIPLE GLAZED

SCALE:  
1:2

DRAWN BY:  
J.IMBERY

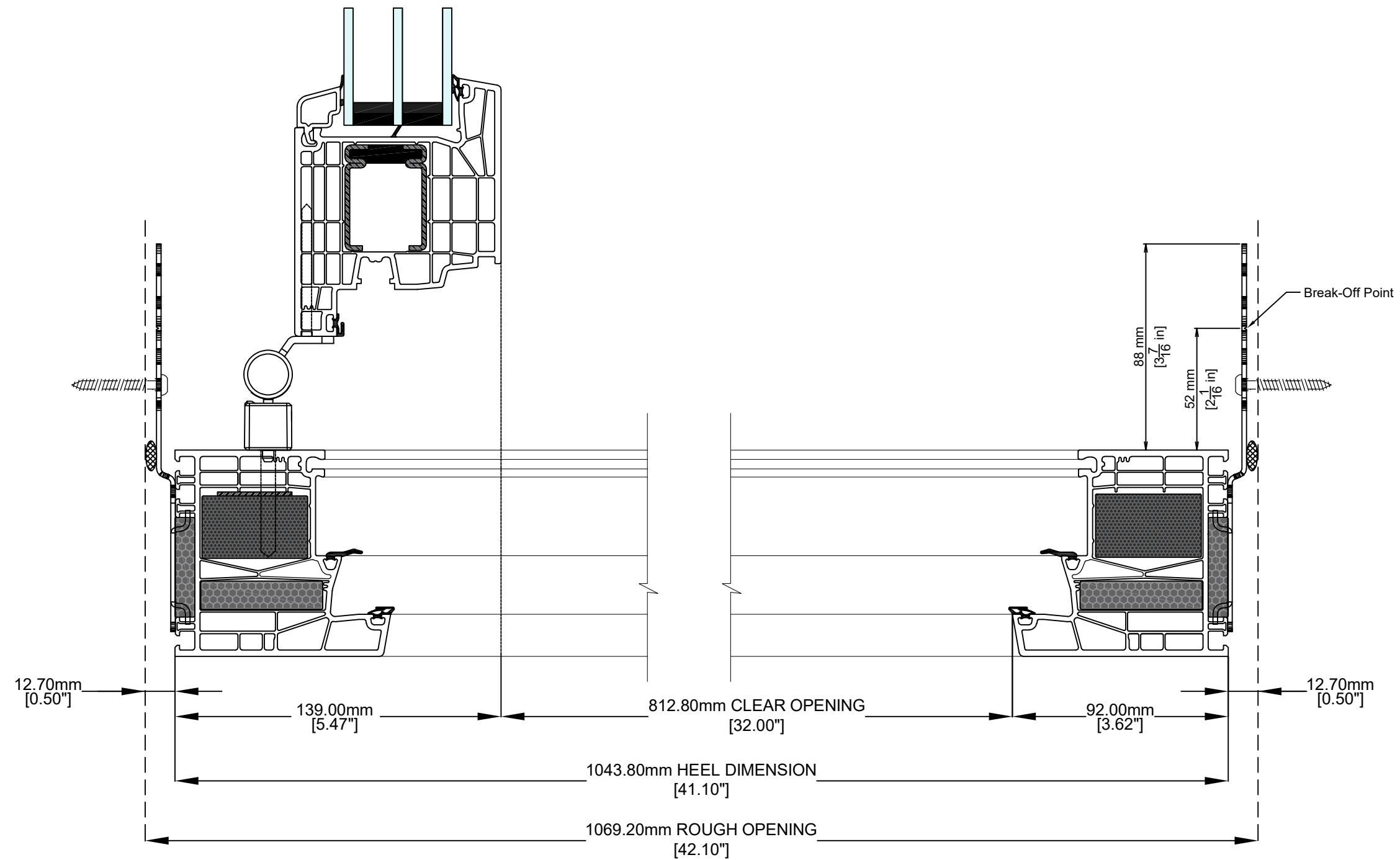
3 of 5

PRODUCT SERIES:

**DEFENDER 88PH+ PRO**

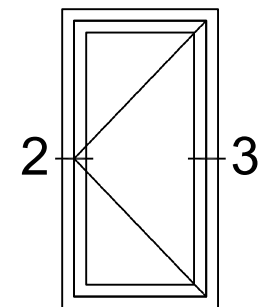
DOOR CONFIGURATIONS  
(AS VIEWED FROM EXTERIOR)

CLEAR OPENING



② HINGE JAMB AT SASH

③ HANDLE JAMB AT SASH



REVISIONS

NO.	DATE	DESCRIPTION
6.0	8/4/2023	COUPLER INSULATION CHANGE
7.0	8/29/2024	RAIN DEFLECTOR ADDED TO ADA DOOR SILL
8.0	2/10/2025	THERMALLY BROKEN SASH STEEL ADDED
9.0	8/1/2025	ZERO COUPLER & HANDLE DETAIL ADDED
10.0	5/13/2026	DIMENSIONS ADDED

DRAWING TYPE:  
INSWING TERRACE SWING DOORS

PAGE:

GLASS:  
TRIPLE GLAZED

SCALE:  
1:2

DRAWN BY:  
J.IMBERY

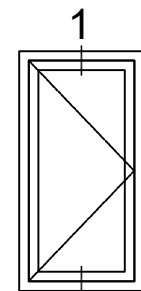
4 of 5

PRODUCT SERIES:

**DEFENDER 88PH+ PRO**

DOOR CONFIGURATIONS  
(AS VIEWED FROM EXTERIOR)

CLEAR OPENING



11,13

REVISIONS

NO.	DATE	DESCRIPTION
6.0	8/4/2023	COUPLER INSULATION CHANGE
7.0	8/29/2024	RAIN DEFLECTOR ADDED TO ADA DOOR SILL
8.0	2/10/2025	THERMALLY BROKEN SASH STEEL ADDED
9.0	8/1/2025	ZERO COUPLER & HANDLE DETAIL ADDED
10.0	5/13/2026	DIMENSIONS ADDED

DRAWING TYPE:  
INSWING TERRACE SWING DOORS

PAGE:

GLASS:  
TRIPLE GLAZED

SCALE:  
1:2.5

DRAWN BY:  
J.IMBERY

5 of 5

