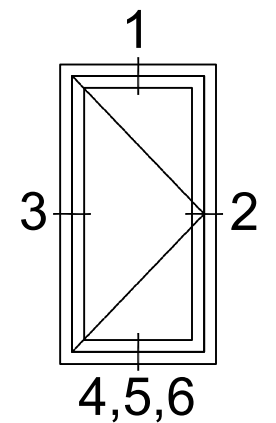


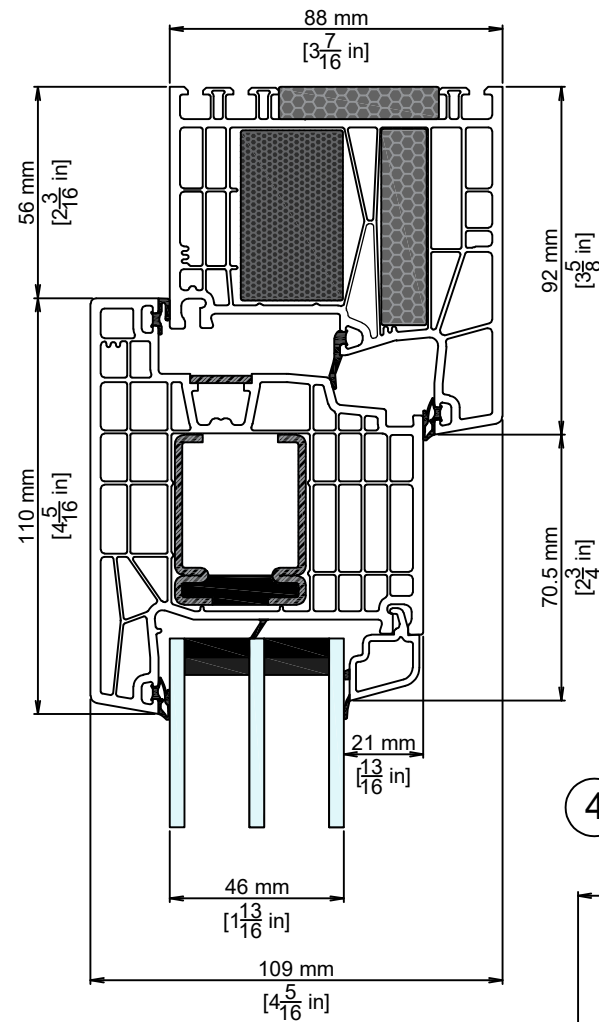
PRODUCT SERIES:

DEFENDER 88PH+ PRO

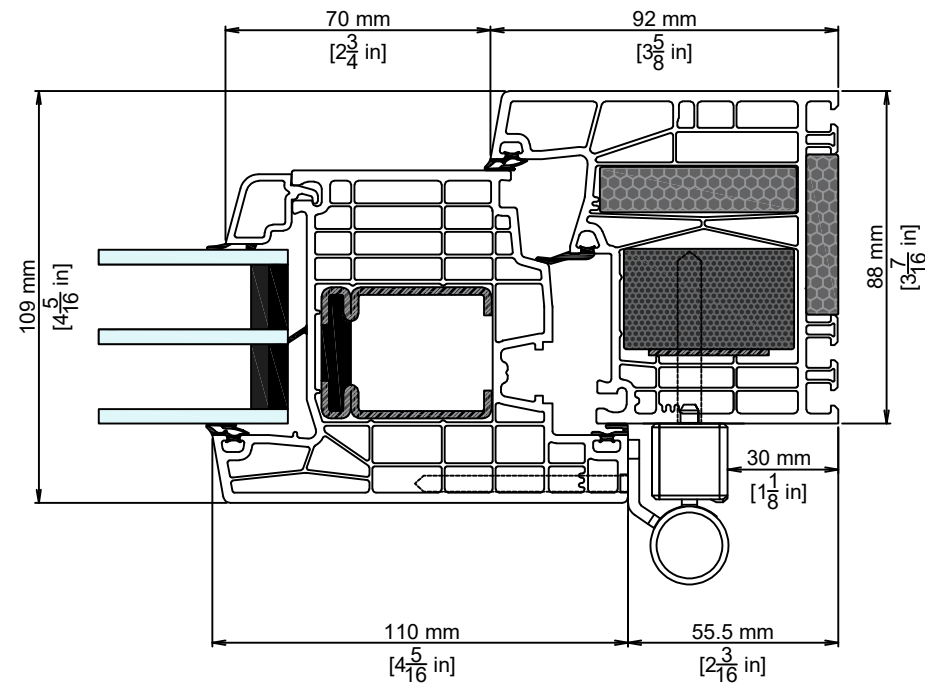
DOOR CONFIGURATIONS
(AS VIEWED FROM EXTERIOR)



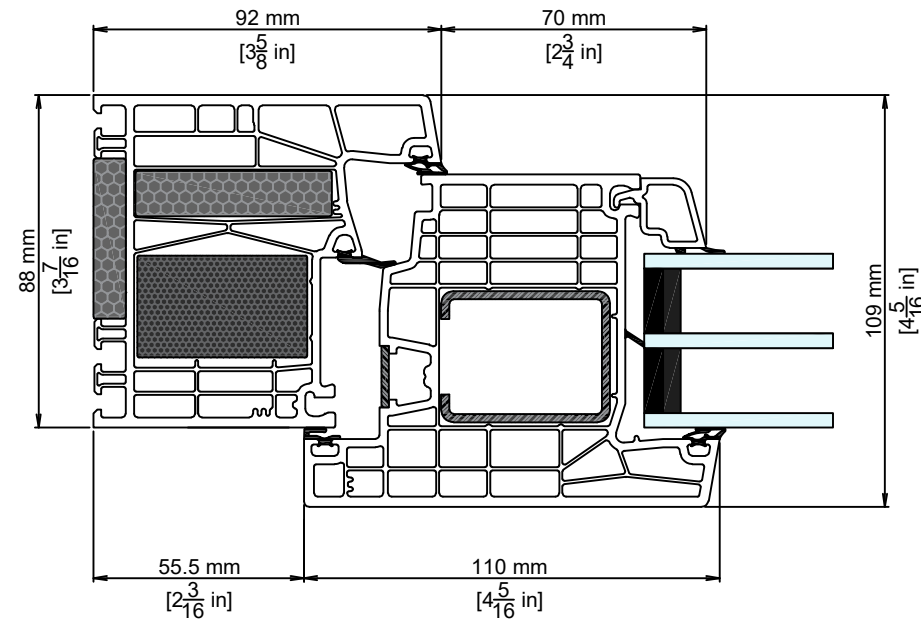
① HEAD AT SASH



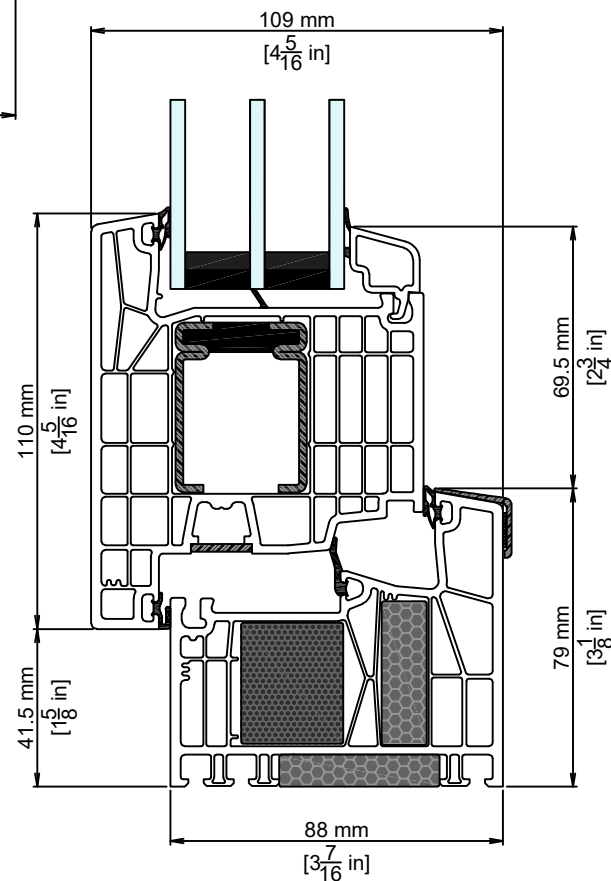
② HINGE JAMB AT SASH



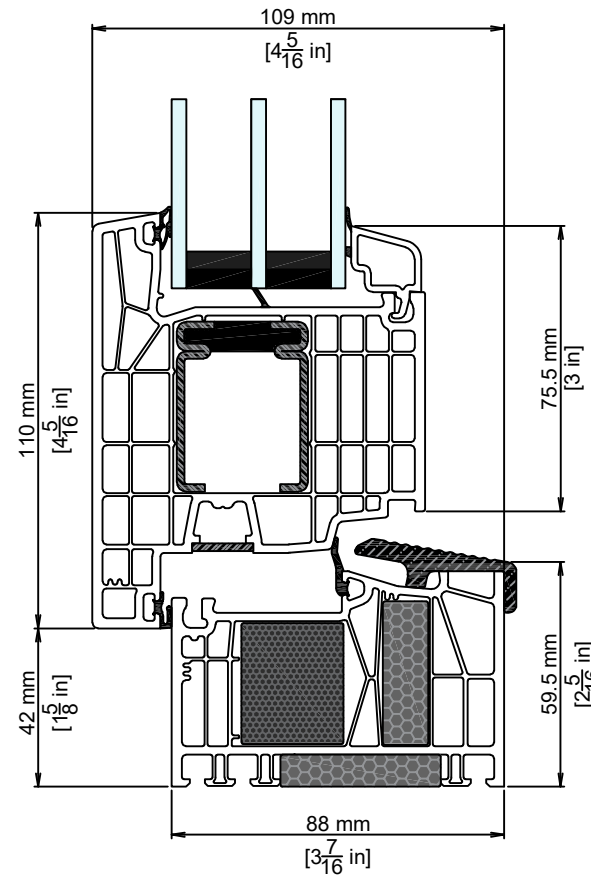
③ HANDLE JAMB AT SASH



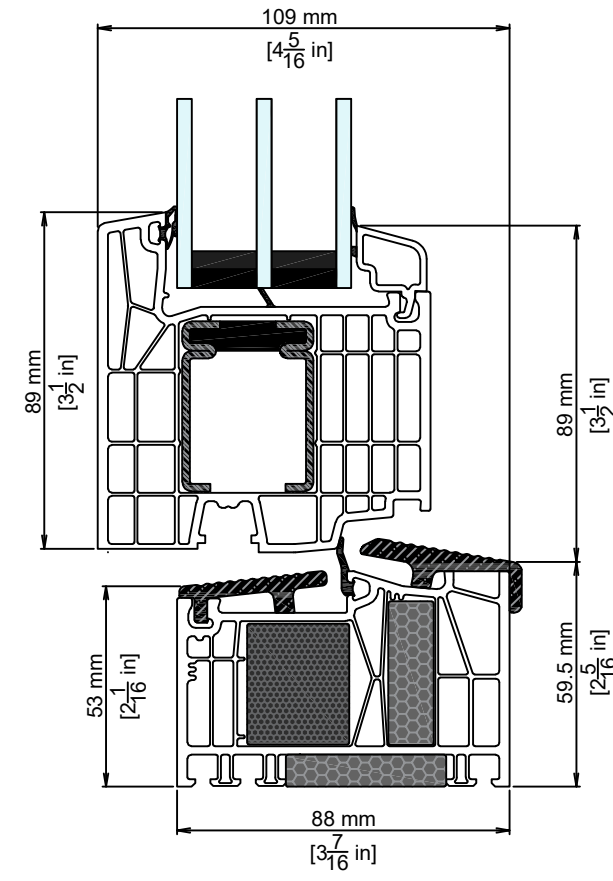
④ HIGH PERF. SILL AT SASH



⑤ EASY ACCESS SILL AT SASH



⑥ ADA ADAPTABLE SILL AT SASH



REVISIONS

NO.	DATE	DESCRIPTION
5.0	9/27/2022	CLEAR OPENING DRAWING ADDITION
6.0	8/4/2023	COUPLER INSULATION CHANGE
7.0	2/13/2025	THERMALLY BROKEN SASH STEEL ADDED
8.0	8/1/2025	ZERO COUPLER & HANDLE DETAIL ADDED
9.0	5/13/2026	DIMENSIONS ADDED

DRAWING TYPE:
OUTSWING TERRACE SWING DOORS

PAGE:

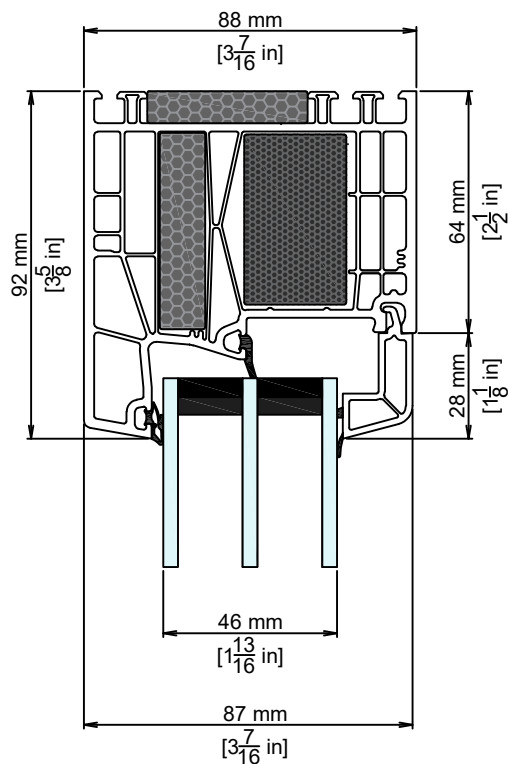
GLASS:
TRIPLE GLAZED

SCALE:
1:2

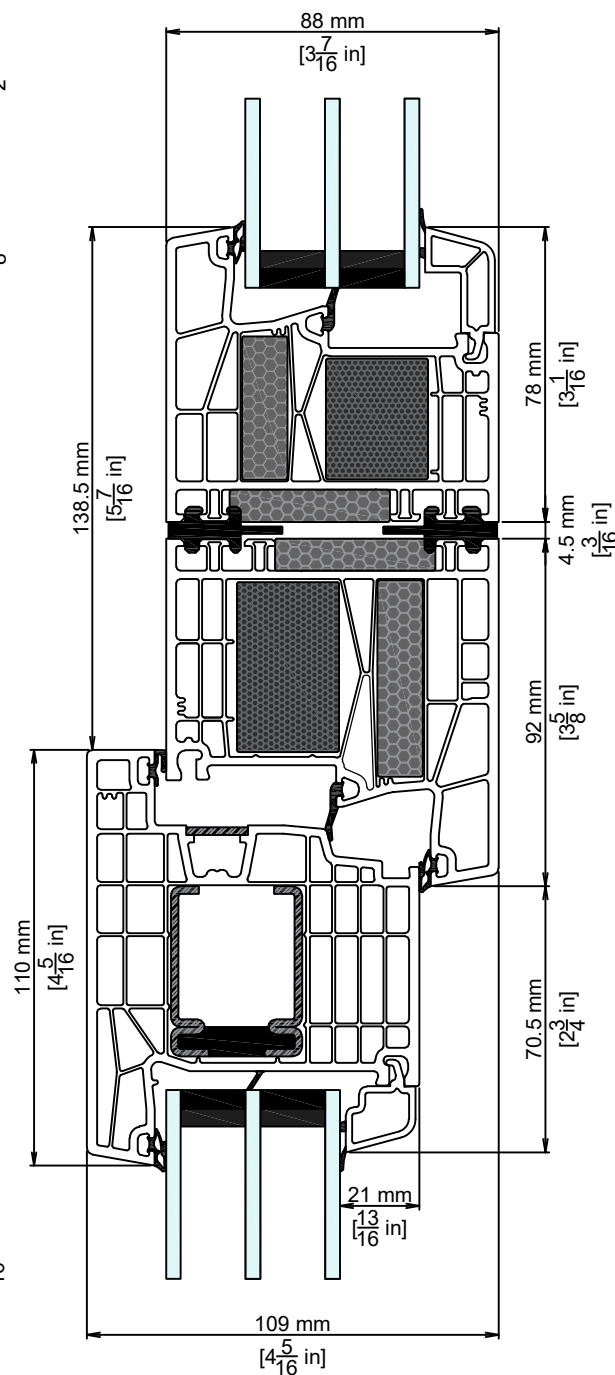
DRAWN BY:
J. IMBERY

1 of 4

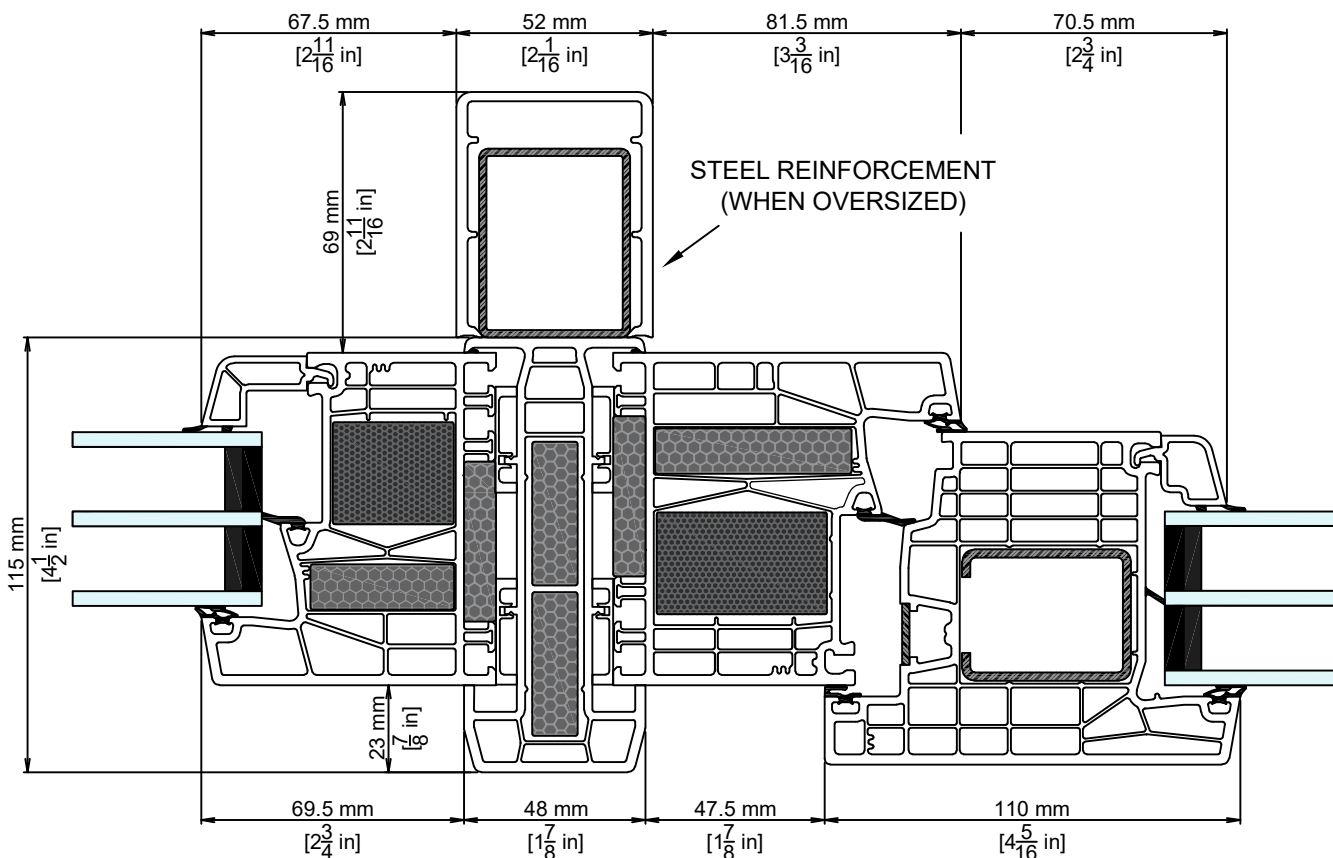
7 HEAD/JAMB AT FIXED



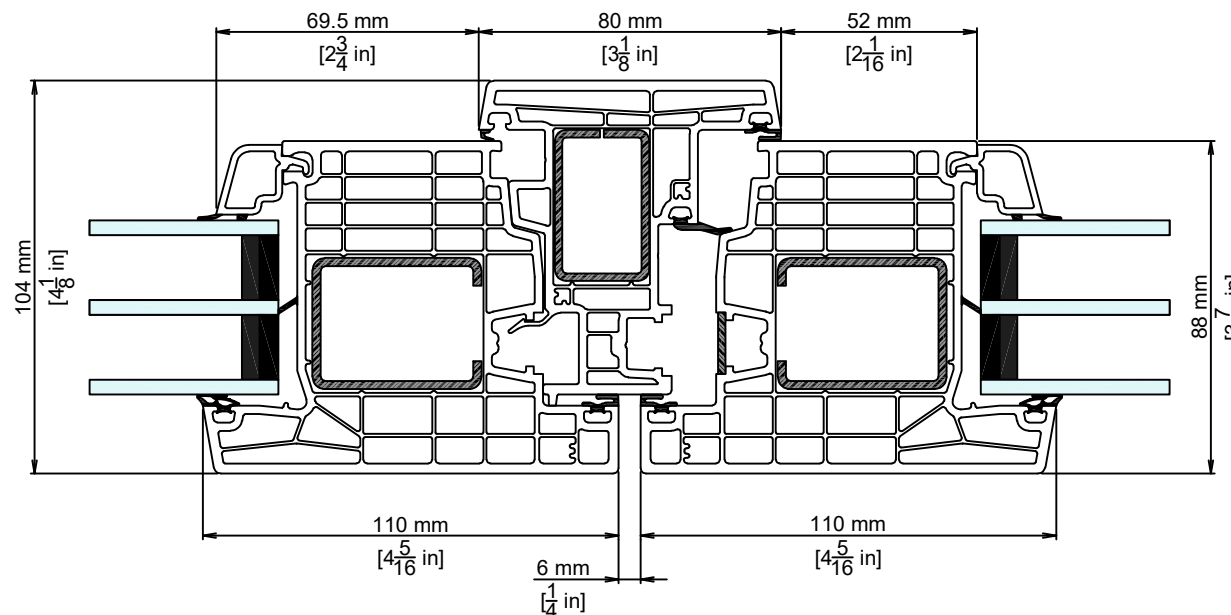
8 ZERO COUPLER AT FIXED/SASH



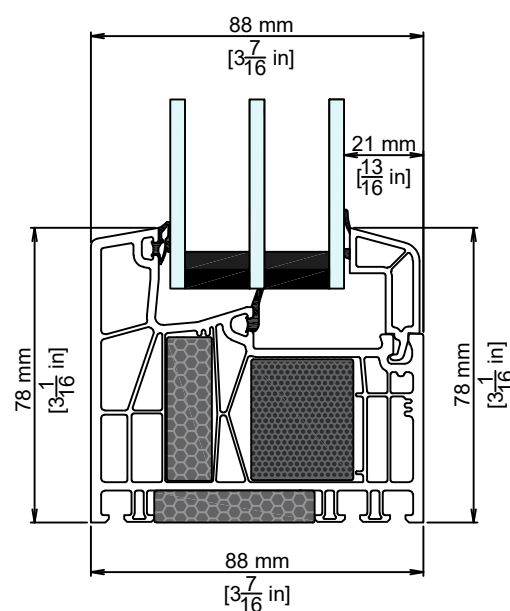
9 H-COUPLER AT FIXED/SASH



11 ASTRAGAL AT SASH



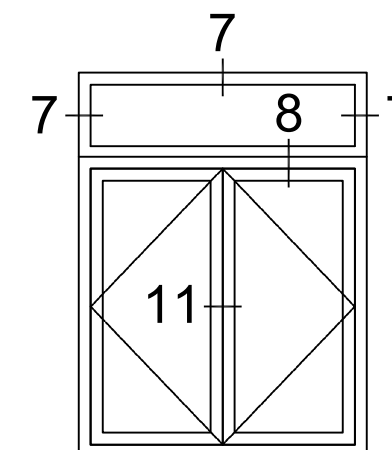
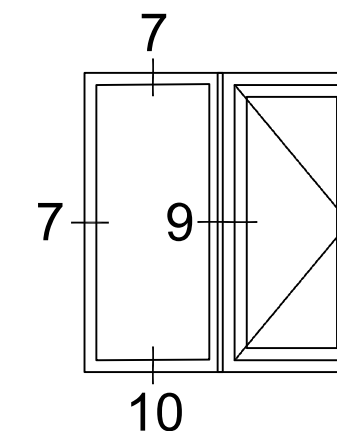
10 SILL AT FIXED



PRODUCT SERIES:

DEFENDER 88PH+ PRO

DOOR CONFIGURATIONS
(AS VIEWED FROM EXTERIOR)



REVISIONS

NO.	DATE	DESCRIPTION
5.0	9/27/2022	CLEAR OPENING DRAWING ADDITION
6.0	8/4/2023	COUPLER INSULATION CHANGE
7.0	2/13/2025	THERMALLY BROKEN SASH STEEL ADDED
8.0	8/1/2025	ZERO COUPLER & HANDLE DETAIL ADDED
9.0	5/13/2026	DIMENSIONS ADDED

DRAWING TYPE:
OUTSWING TERRACE SWING DOORS

PAGE:

GLASS:
TRIPLE GLAZED

SCALE:
1:2

DRAWN BY:
J. IMBERY

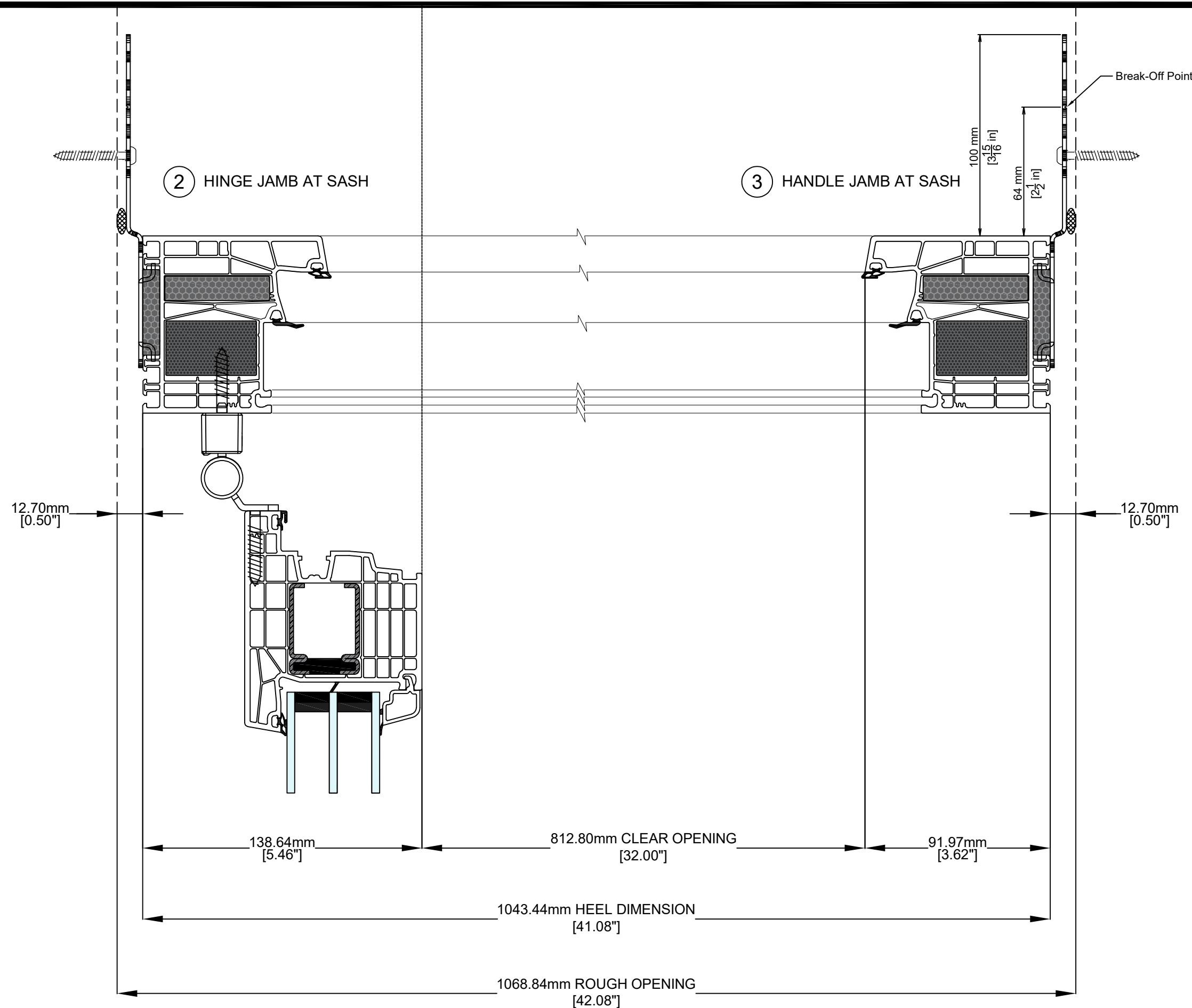
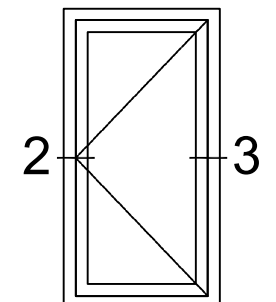
2 of 4

PRODUCT SERIES:

DEFENDER 88PH+ PRO

DOOR CONFIGURATIONS
(AS VIEWED FROM EXTERIOR)

CLEAR OPENING



REVISIONS

NO.	DATE	DESCRIPTION
5.0	9/27/2022	CLEAR OPENING DRAWING ADDITION
6.0	8/4/2023	COUPLER INSULATION CHANGE
7.0	2/13/2025	THERMALLY BROKEN SASH STEEL ADDED
8.0	8/1/2025	ZERO COUPLER & HANDLE DETAIL ADDED
9.0	5/13/2026	DIMENSIONS ADDED

DRAWING TYPE:
OUTSWING TERRACE SWING DOORS

PAGE:

GLASS:
TRIPLE GLAZED

SCALE:
1:2

DRAWN BY:
J. IMBERY

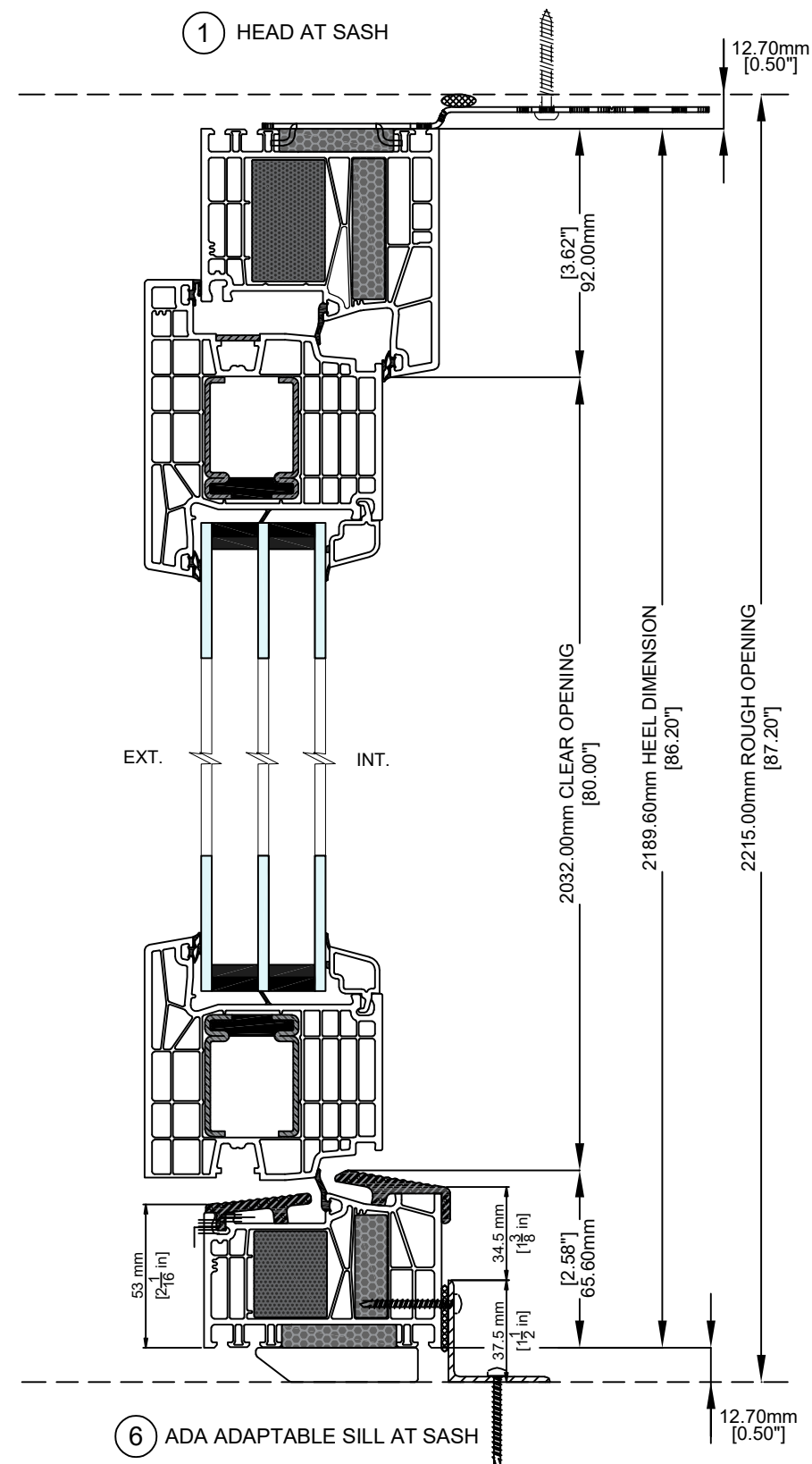
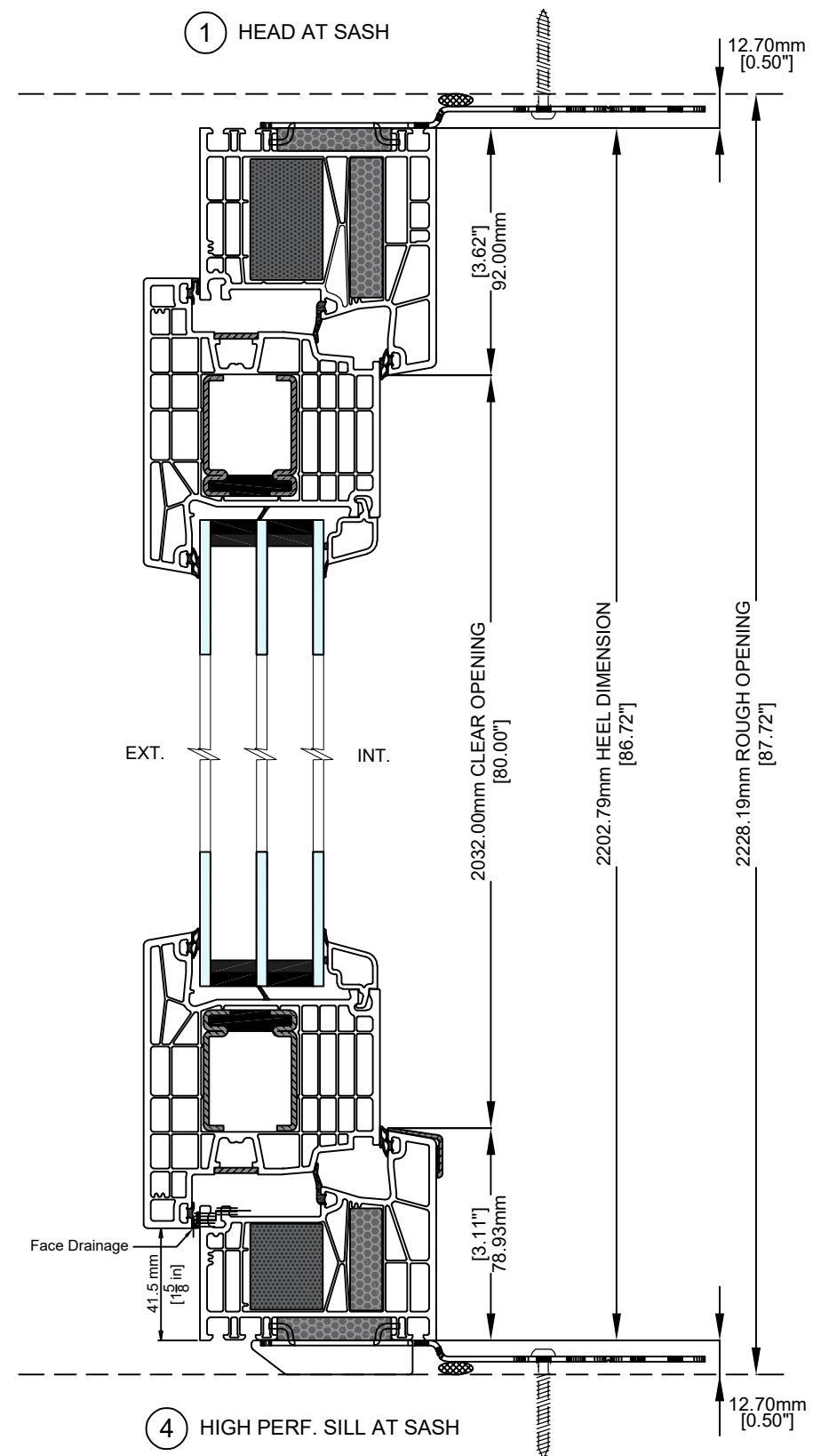
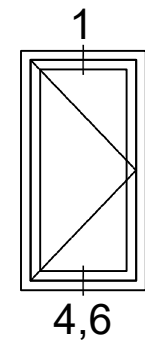
3 of 4

PRODUCT SERIES:

DEFENDER 88PH+ PRO

DOOR CONFIGURATIONS
(AS VIEWED FROM EXTERIOR)

CLEAR OPENING



REVISIONS

NO.	DATE	DESCRIPTION
5.0	9/27/2022	CLEAR OPENING DRAWING ADDITION
6.0	8/4/2023	COUPLER INSULATION CHANGE
7.0	2/13/2025	THERMALLY BROKEN SASH STEEL ADDED
8.0	8/1/2025	ZERO COUPLER & HANDLE DETAIL ADDED
9.0	5/13/2026	DIMENSIONS ADDED

DRAWING TYPE:
OUTSWING TERRACE SWING DOORS

PAGE:

GLASS:
TRIPLE GLAZED

SCALE:
1:2.5

DRAWN BY:
J. IMBERY

4 of 4