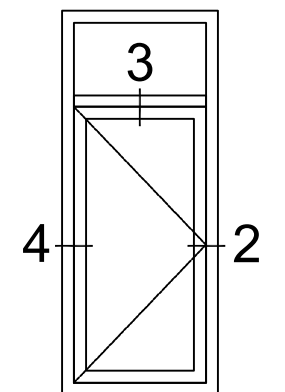
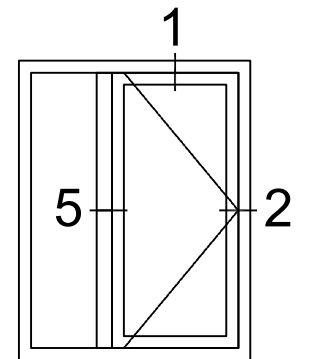


PRODUCT SERIES:

DEFENDER 88TS

DOOR CONFIGURATIONS
(AS VIEWED FROM EXTERIOR)

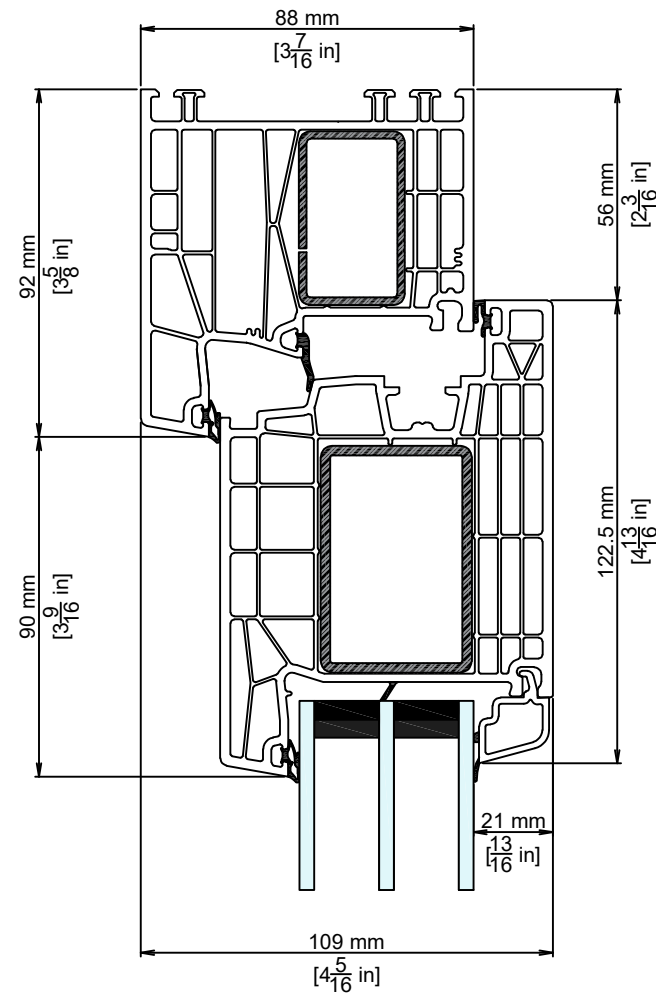


REVISIONS

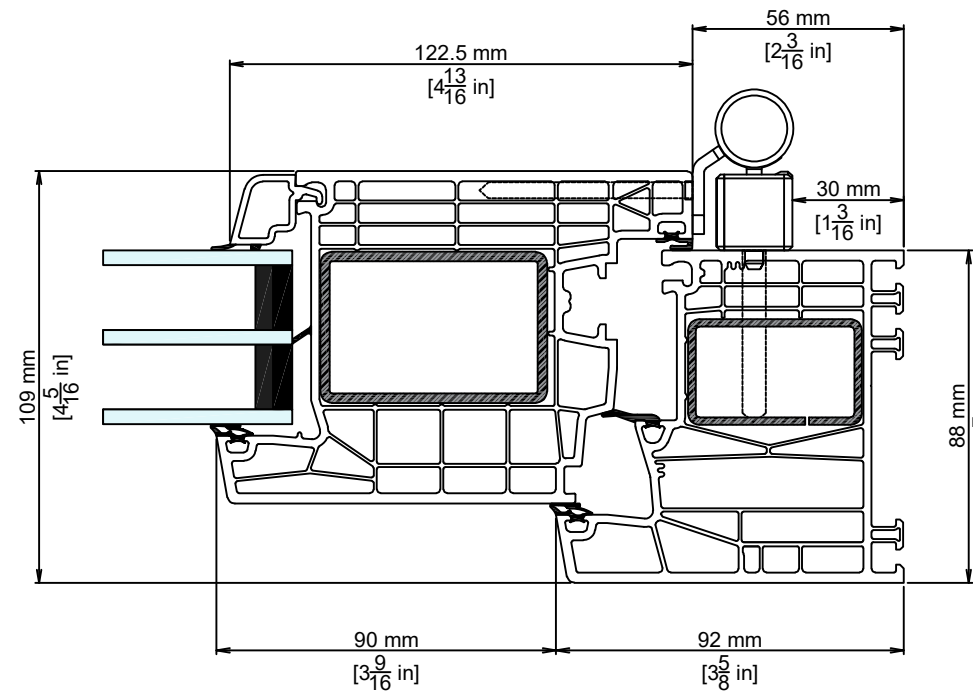
NO.	DATE	DESCRIPTION
6.0	9/27/2022	CLEAR OPENING DRAWING ADDITION
7.0	10/31/2023	DIMENSION ADDITIONS
8.0	8/29/2024	RAIN DEFLECTOR ADDED TO ADA DOOR SILL
9.0	2/14/2025	HATCHING CHANGES
10.0	8/1/2025	ZERO COUPLER & HANDLE DETAIL ADDED
11.0	5/13/2026	DIMENSIONS ADDED

DRAWING TYPE: INSWING ENTRY DOORS		PAGE: 1 of 5
GLASS: TRIPLE GLAZED	SCALE: 1:2	DRAWN BY: J.IMBERY

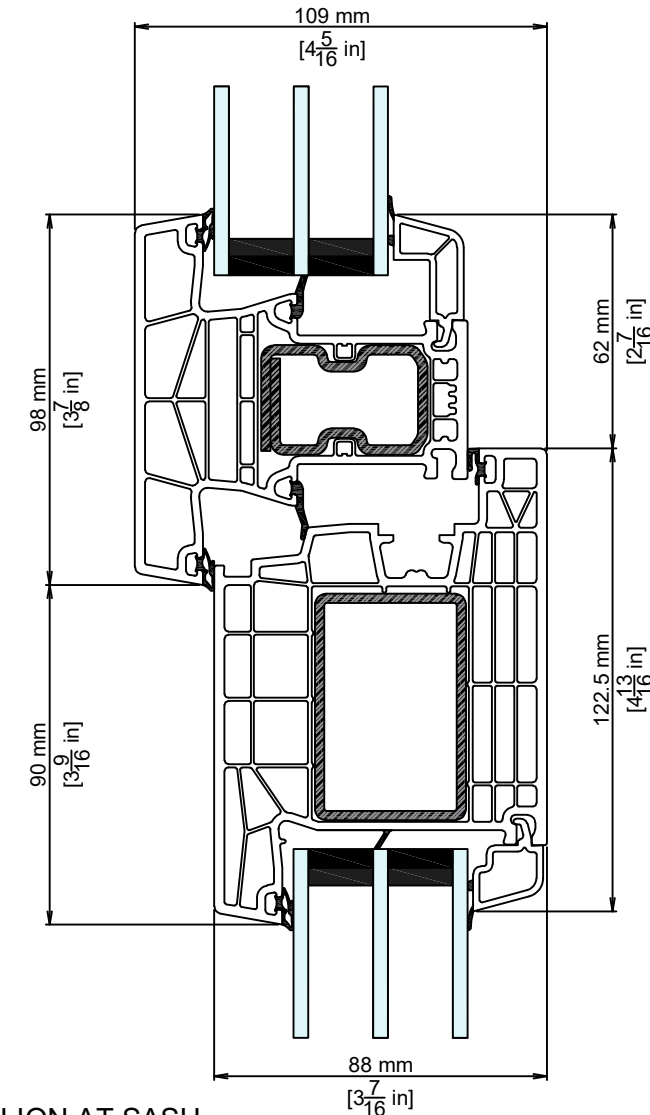
1 HEAD AT SASH



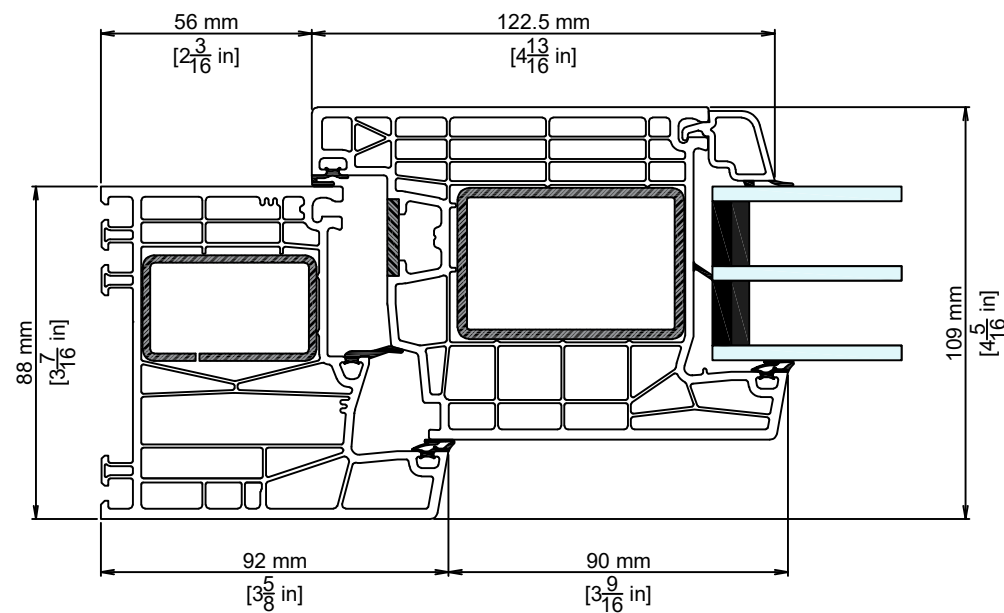
2 JAMB AT SASH



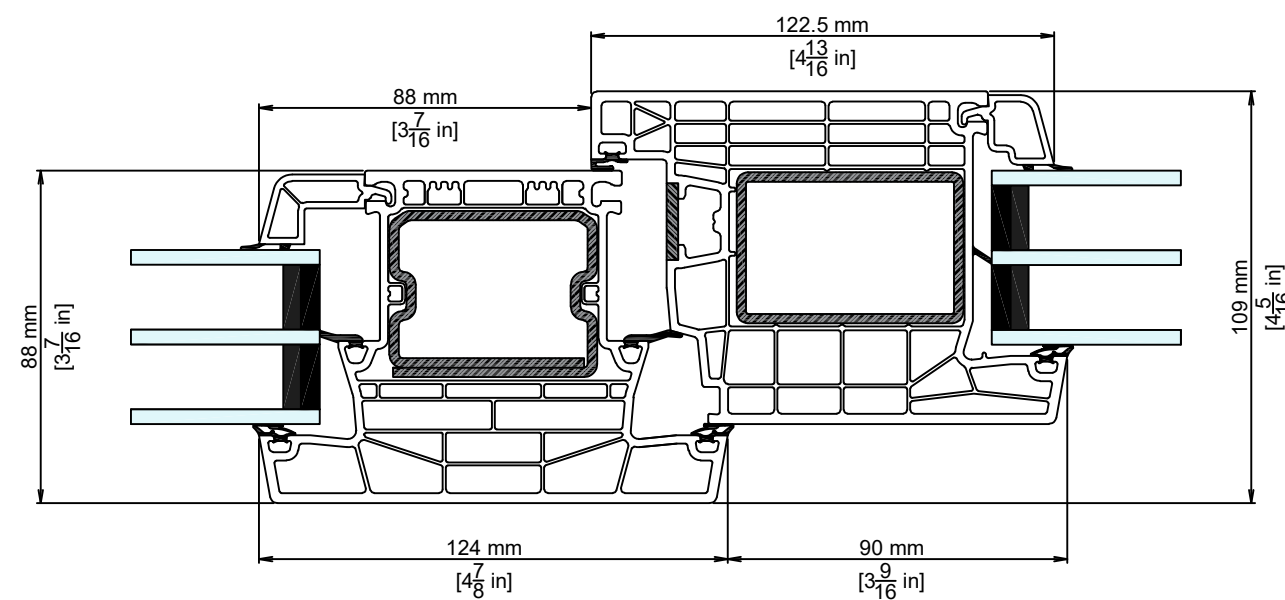
3 T-MULLION AT SASH



4 HANDLE JAMB AT SASH



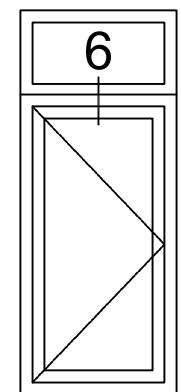
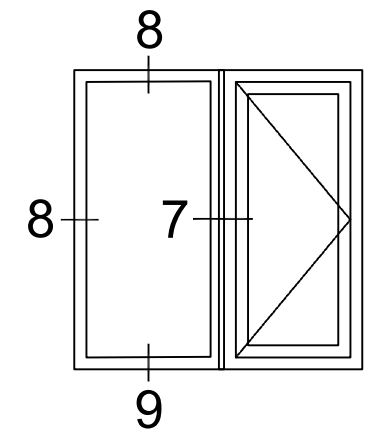
5 LARGE T-MULLION AT SASH



PRODUCT SERIES:

DEFENDER 88TS

DOOR CONFIGURATIONS
(AS VIEWED FROM EXTERIOR)



REVISIONS

NO.	DATE	DESCRIPTION
6.0	9/27/2022	CLEAR OPENING DRAWING ADDITION
7.0	10/31/2023	DIMENSION ADDITIONS
8.0	8/29/2024	RAIN DEFLECTOR ADDED TO ADA DOOR SILL
9.0	2/14/2025	HATCHING CHANGES
10.0	8/1/2025	ZERO COUPLER & HANDLE DETAIL ADDED
11.0	5/13/2026	DIMENSIONS ADDED

DRAWING TYPE:
INSWING ENTRY DOORS

PAGE:

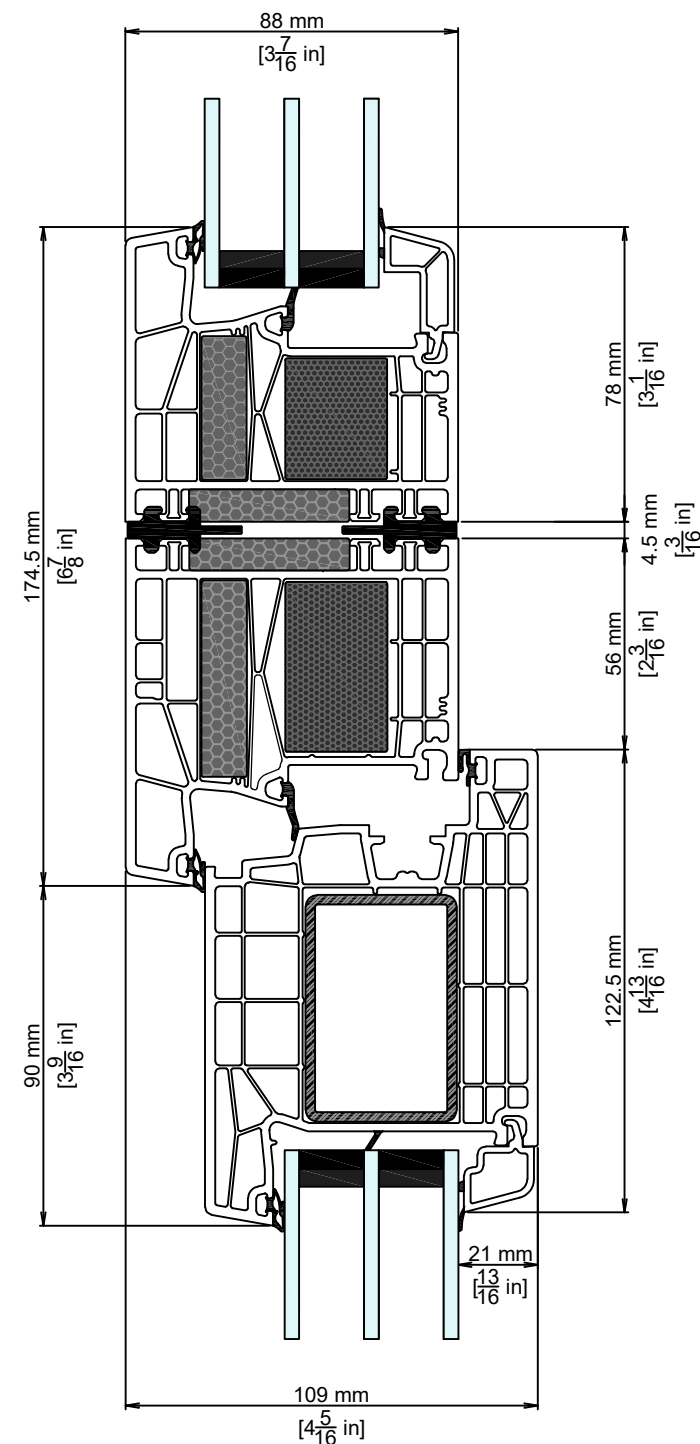
GLASS:
TRIPLE GLAZED

SCALE:
1:2

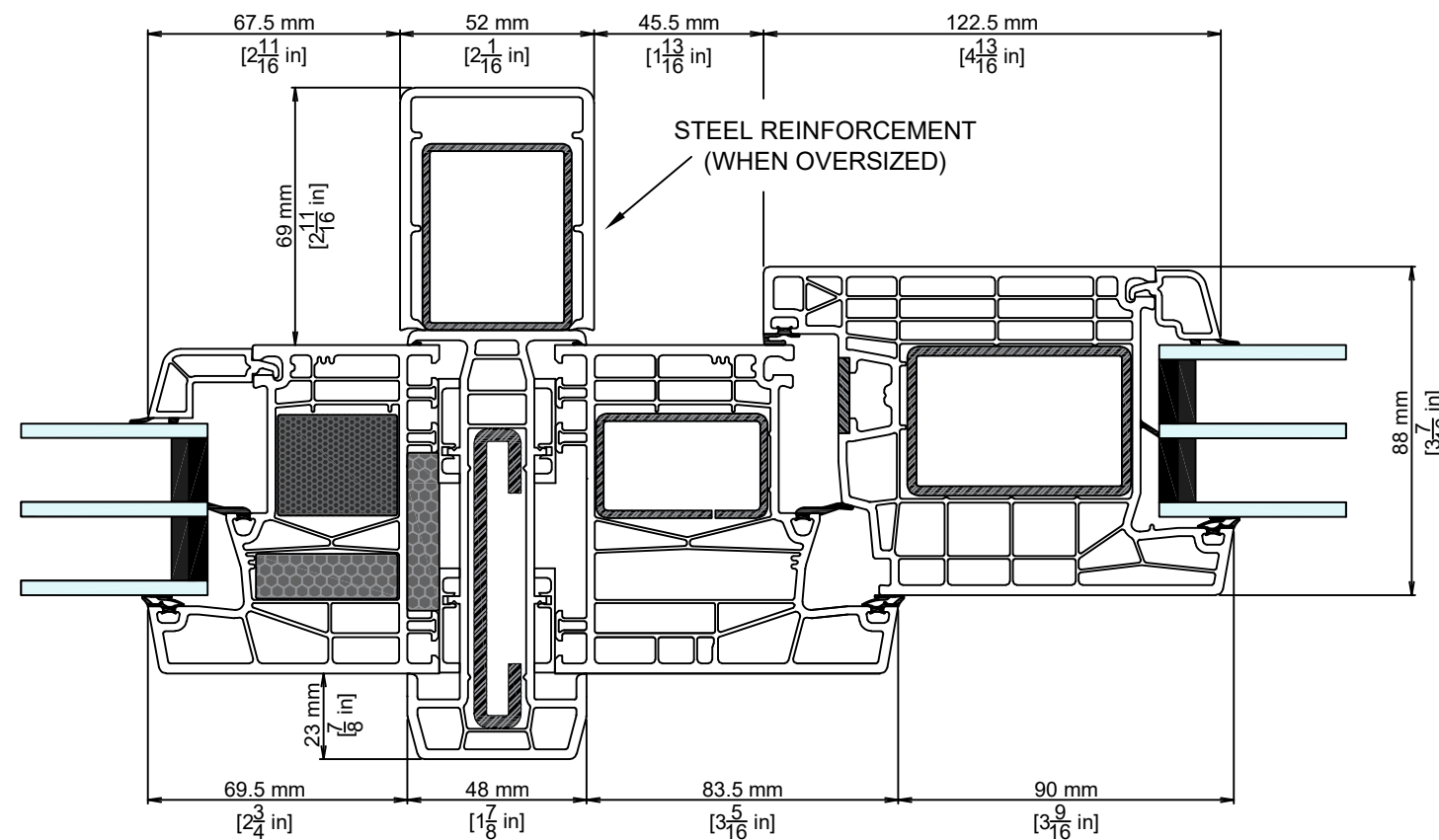
DRAWN BY:
J.IMBERY

2 of 5

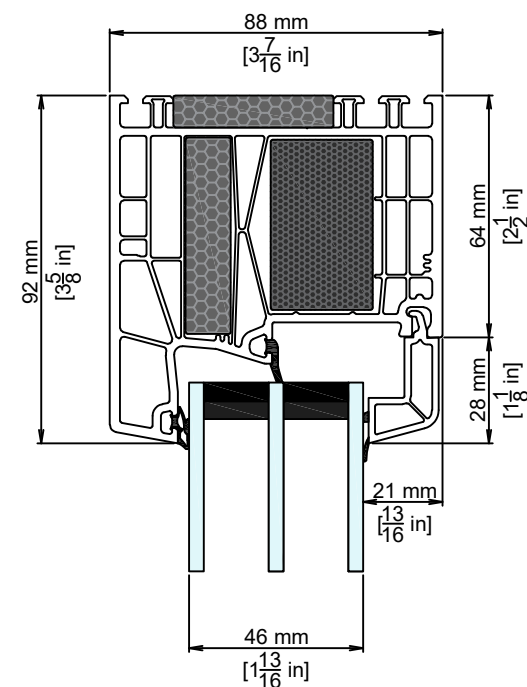
6 ZERO COUPLER AT FIXED/SASH



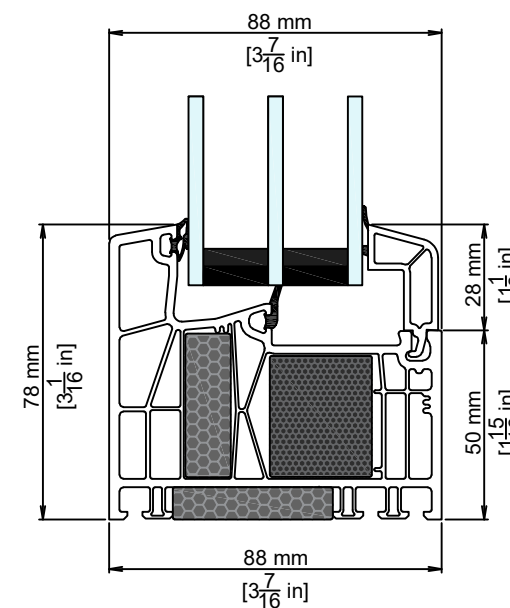
7 H-COUPLER AT FIXED/SASH



8 HEAD/JAMB AT FIXED



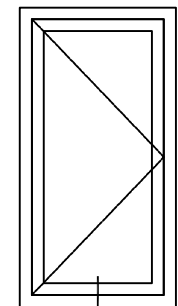
9 SILL AT FIXED



PRODUCT SERIES:

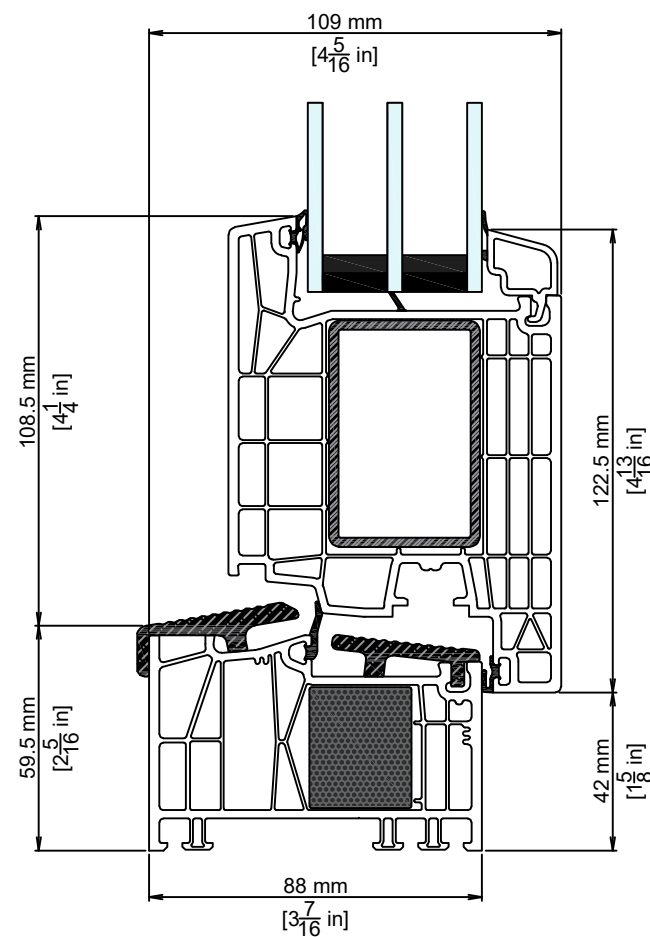
DEFENDER 88TS

DOOR CONFIGURATIONS
(AS VIEWED FROM EXTERIOR)

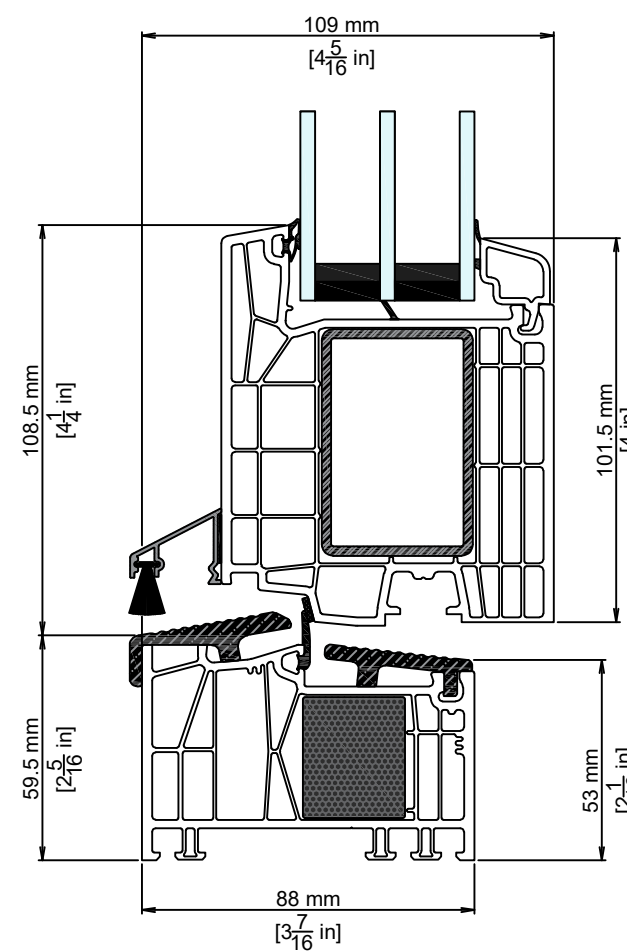


10,11

⑩ EASY ACCESS SILL AT SASH



⑪ ADA ADAPTABLE SILL AT SASH



REVISIONS

NO.	DATE	DESCRIPTION
6.0	9/27/2022	CLEAR OPENING DRAWING ADDITION
7.0	10/31/2023	DIMENSION ADDITIONS
8.0	8/29/2024	RAIN DEFLECTOR ADDED TO ADA DOOR SILL
9.0	2/14/2025	HATCHING CHANGES
10.0	8/1/2025	ZERO COUPLER & HANDLE DETAIL ADDED
11.0	5/13/2026	DIMENSIONS ADDED

DRAWING TYPE:
INSWING ENTRY DOORS

PAGE:

GLASS: TRIPLE GLAZED
SCALE: 1:2
DRAWN BY: J.IMBERY

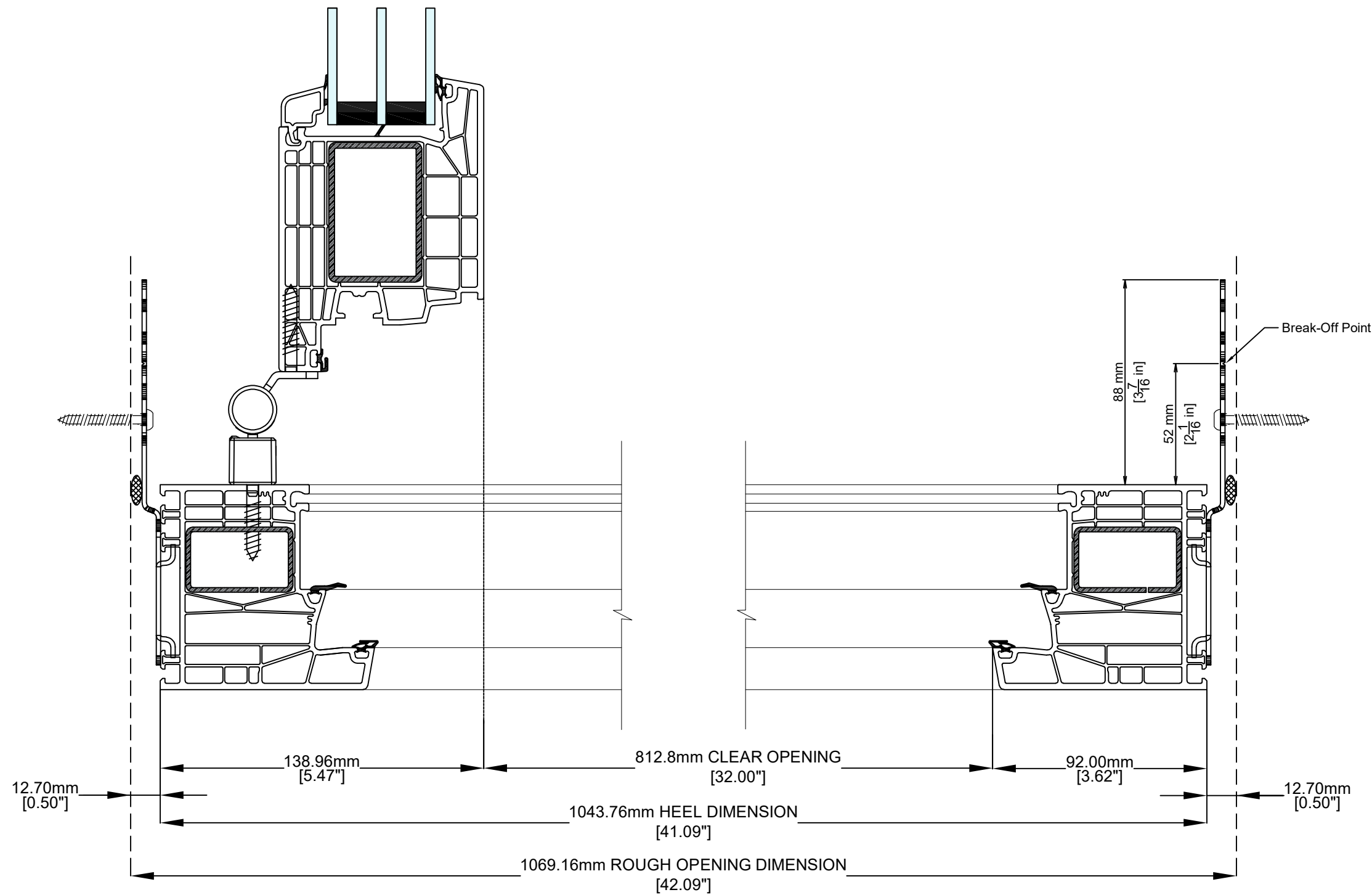
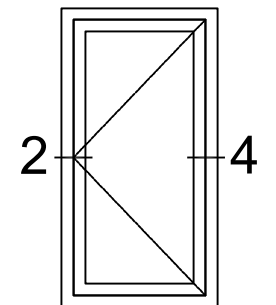
3 of 5

PRODUCT SERIES:

DEFENDER 88TS

DOOR CONFIGURATIONS
(AS VIEWED FROM EXTERIOR)

CLEAR OPENING



② HINGE JAMB AT SASH

④ HANDLE JAMB AT SASH

REVISIONS

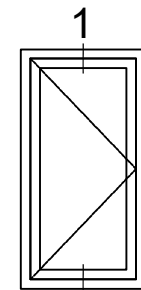
NO.	DATE	DESCRIPTION
6.0	9/27/2022	CLEAR OPENING DRAWING ADDITION
7.0	10/31/2023	DIMENSION ADDITIONS
8.0	8/29/2024	RAIN DEFLECTOR ADDED TO ADA DOOR SILL
9.0	2/14/2025	HATCHING CHANGES
10.0	8/1/2025	ZERO COUPLER & HANDLE DETAIL ADDED
11.0	5/13/2026	DIMENSIONS ADDED

PRODUCT SERIES:

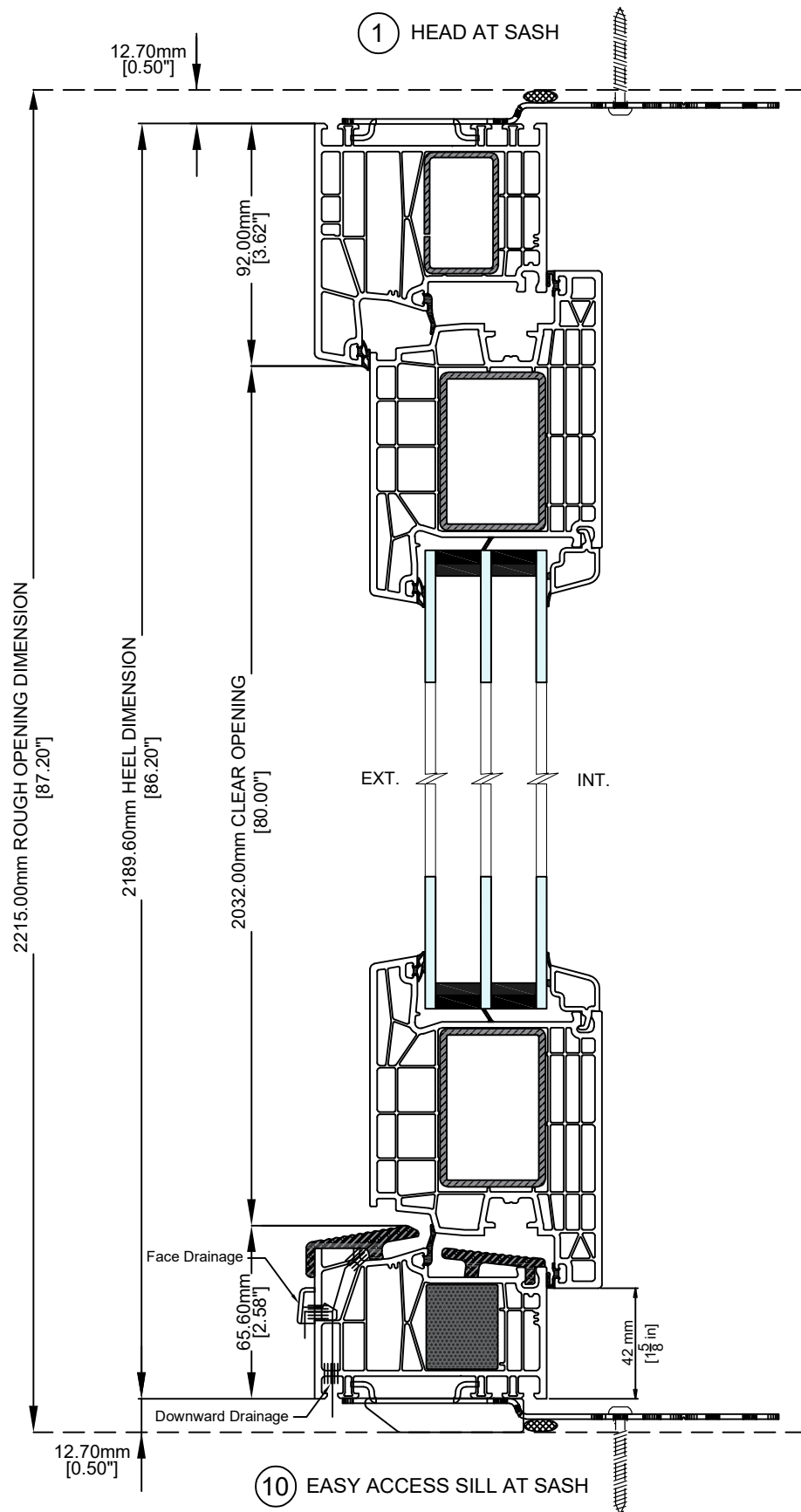
DEFENDER 88TS

DOOR CONFIGURATIONS
(AS VIEWED FROM EXTERIOR)

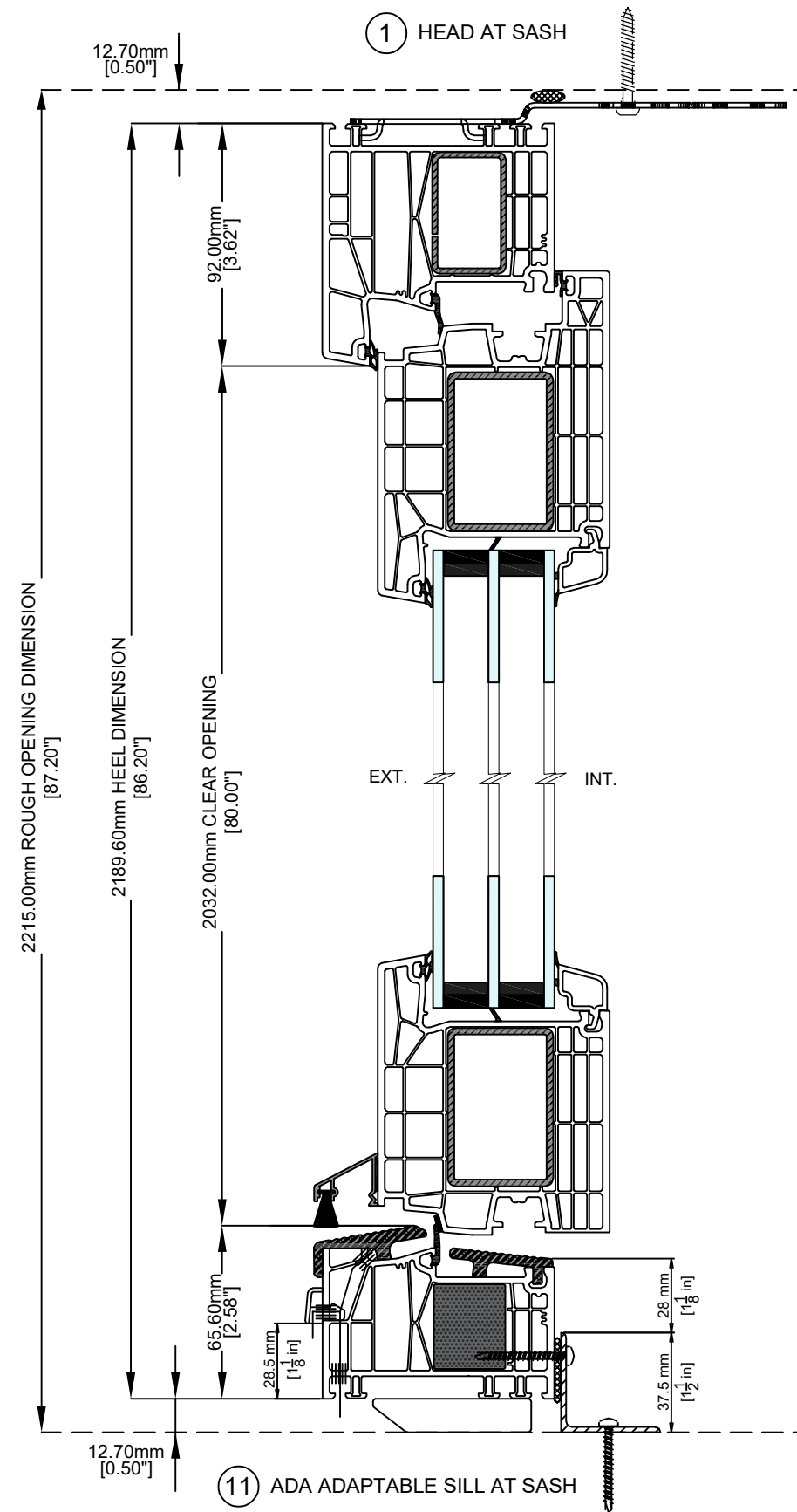
CLEAR OPENING



10,11



10 EASY ACCESS SILL AT SASH



11 ADA ADAPTABLE SILL AT SASH

REVISIONS

NO.	DATE	DESCRIPTION
6.0	9/27/2022	CLEAR OPENING DRAWING ADDITION
7.0	10/31/2023	DIMENSION ADDITIONS
8.0	8/29/2024	RAIN DEFLECTOR ADDED TO ADA DOOR SILL
9.0	2/14/2025	HATCHING CHANGES
10.0	8/1/2025	ZERO COUPLER & HANDLE DETAIL ADDED
11.0	5/13/2026	DIMENSIONS ADDED

DRAWING TYPE:
INSWING ENTRY DOORS

PAGE:

GLASS: TRIPLE GLAZED SCALE: 1:2.5 DRAWN BY: J.IMBERY

5 of 5