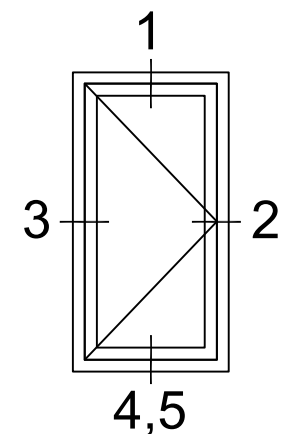


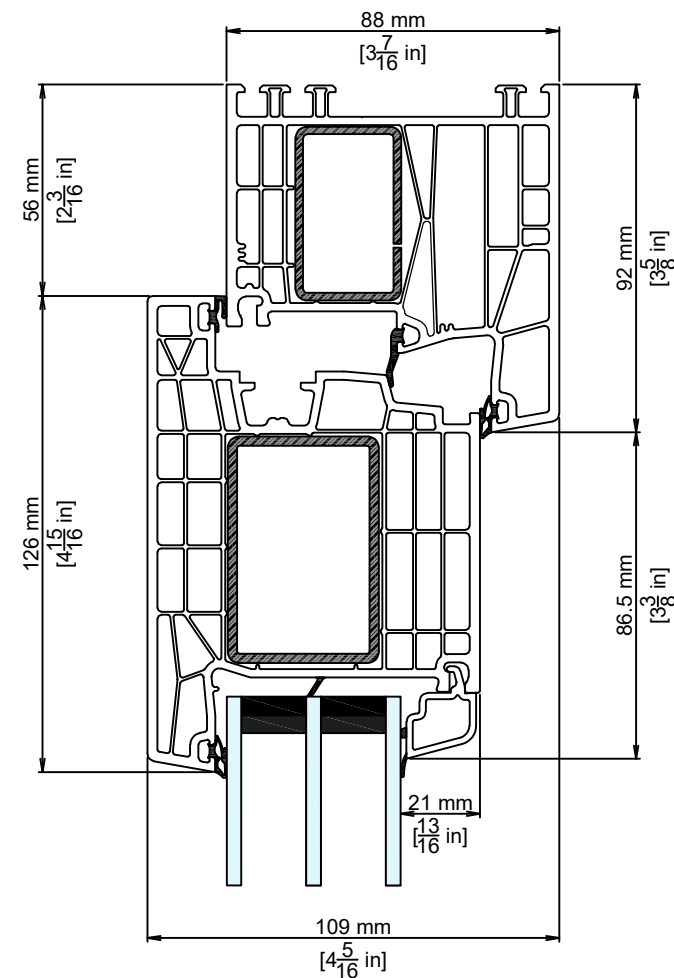
PRODUCT SERIES:

DEFENDER 88TS

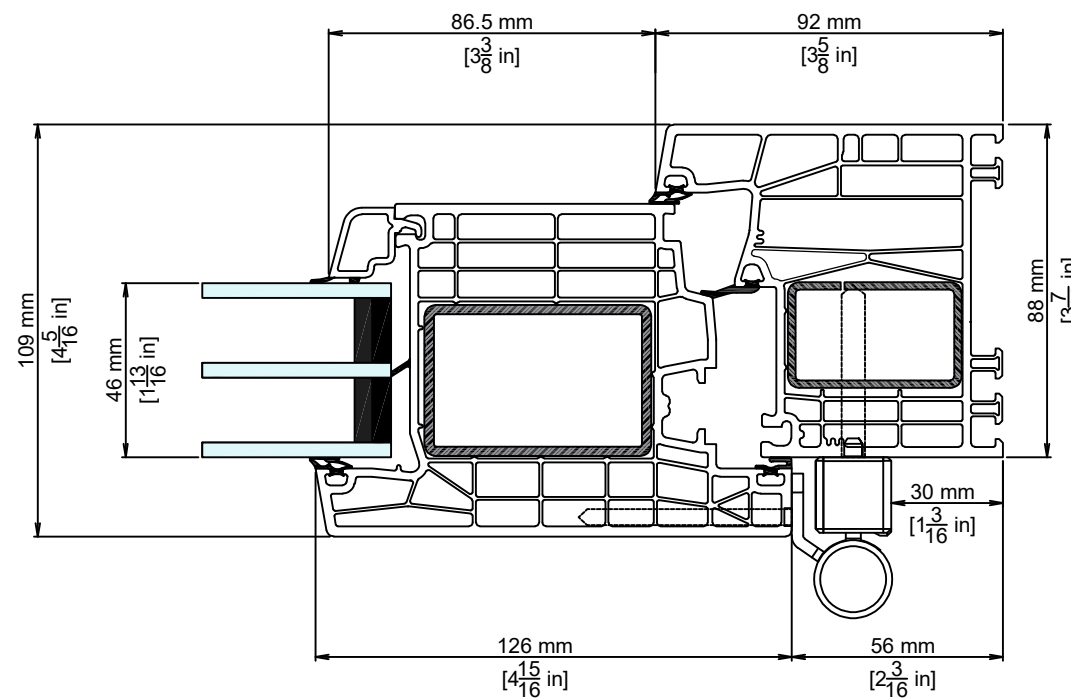
DOOR CONFIGURATIONS
(AS VIEWED FROM EXTERIOR)



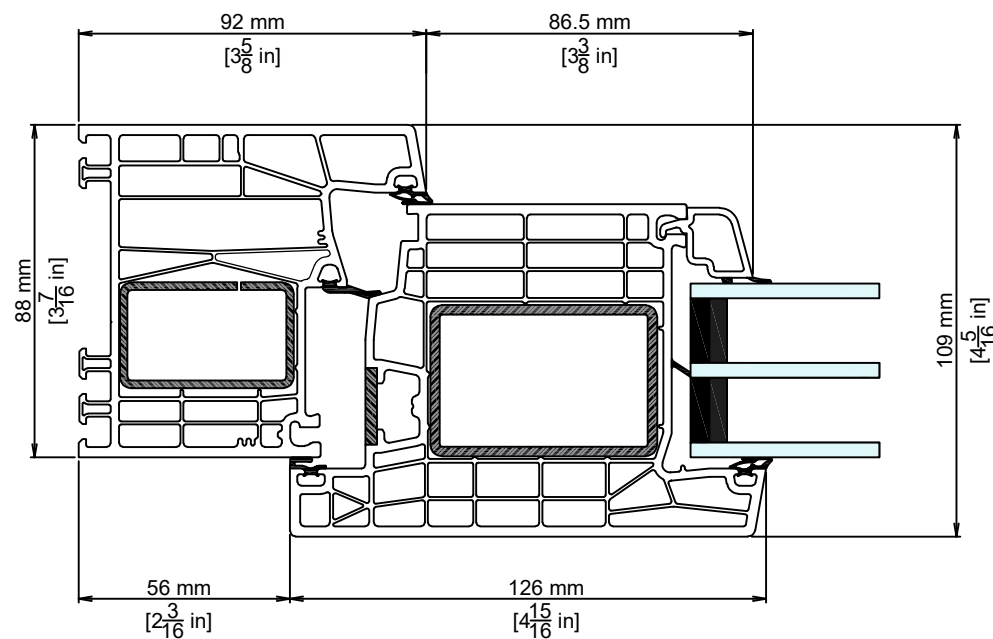
① HEAD AT SASH



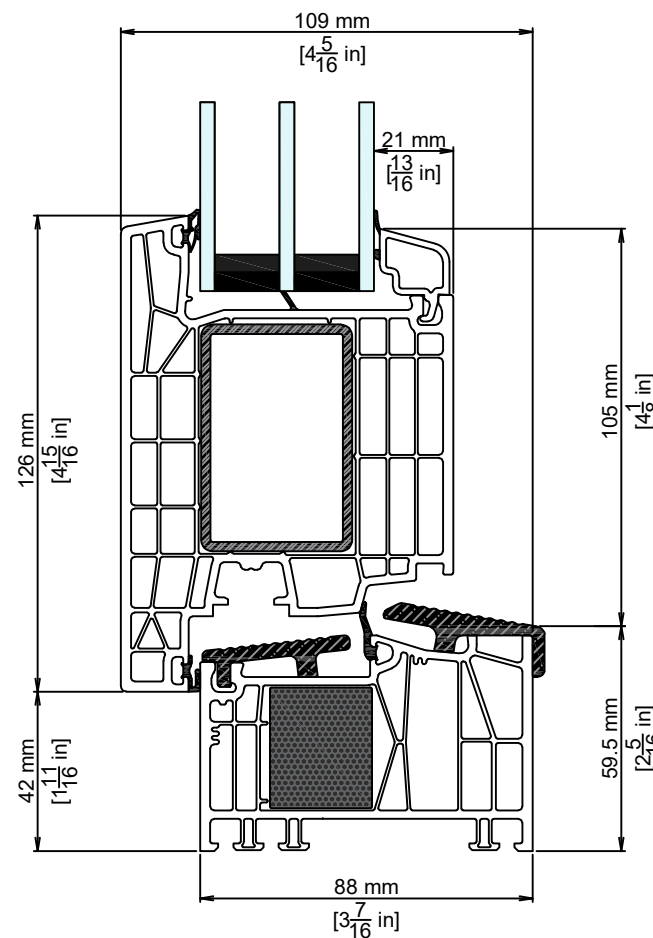
② HINGE JAMB AT SASH



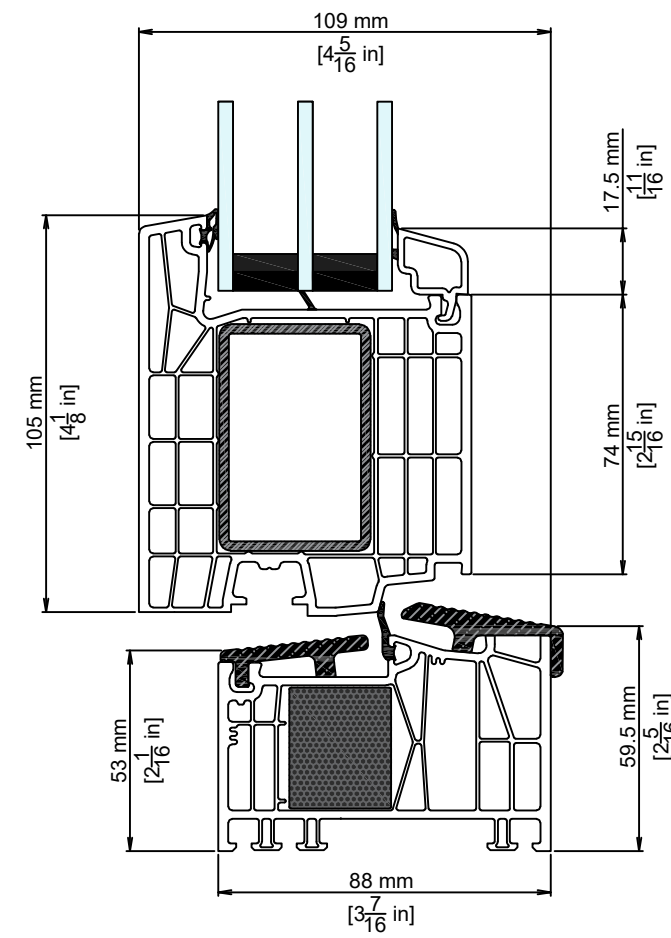
③ HANDLE JAMB AT SASH



④ EASY ACCESS SILL AT SASH



⑤ ADA ADAPTABLE SILL SASH



REVISIONS

NO.	DATE	DESCRIPTION
5.0	5/25/2022	INSULATION CHANGES
6.0	9/27/2022	CLEAR OPENING DRAWING ADDITION
7.0	10/31/2023	DIMENSION ADDITIONS
8.0	2/14/2025	HATCHING CHANGES
9.0	8/1/2025	ZERO COUPLER & HANDLE DETAIL ADDED
10.0	5/13/2026	DIMENSIONS ADDED

DRAWING TYPE:
OUTSWING ENTRY DOORS

PAGE:

GLASS:
TRIPLE GLAZED

SCALE:
1:2

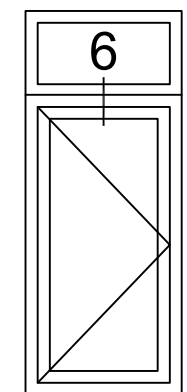
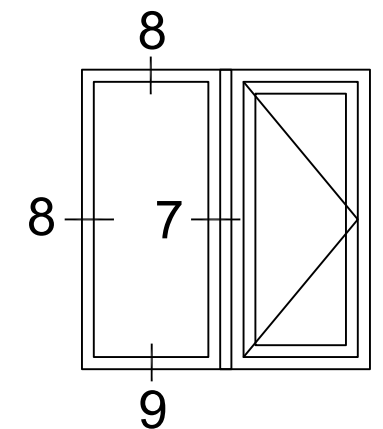
DRAWN BY:
J.IMBERY

1 of 4

PRODUCT SERIES:

DEFENDER 88TS

DOOR CONFIGURATIONS
(AS VIEWED FROM EXTERIOR)



REVISIONS

NO.	DATE	DESCRIPTION
5.0	5/25/2022	INSULATION CHANGES
6.0	9/27/2022	CLEAR OPENING DRAWING ADDITION
7.0	10/31/2023	DIMENSION ADDITIONS
8.0	2/14/2025	HATCHING CHANGES
9.0	8/1/2025	ZERO COUPLER & HANDLE DETAIL ADDED
10.0	5/13/2026	DIMENSIONS ADDED

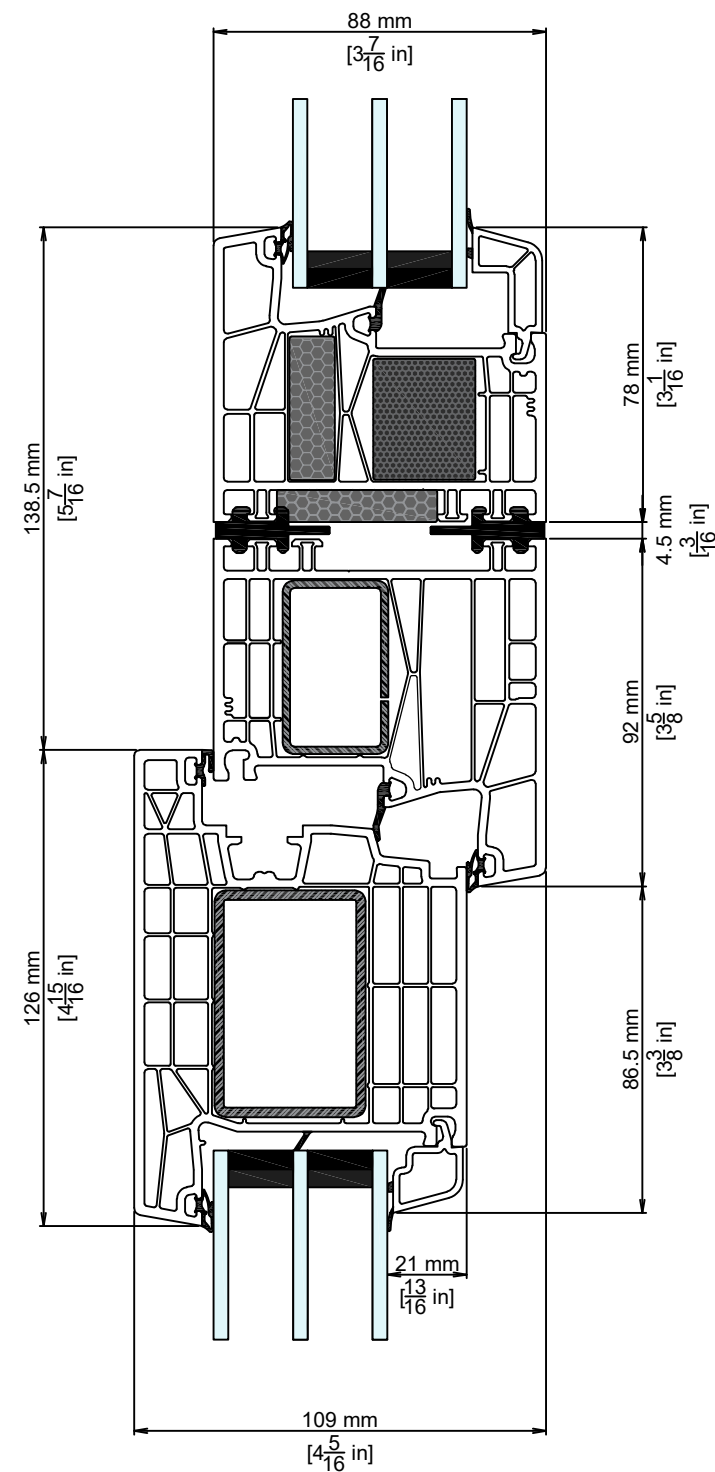
DRAWING TYPE:
OUTSWING ENTRY DOORS

PAGE:

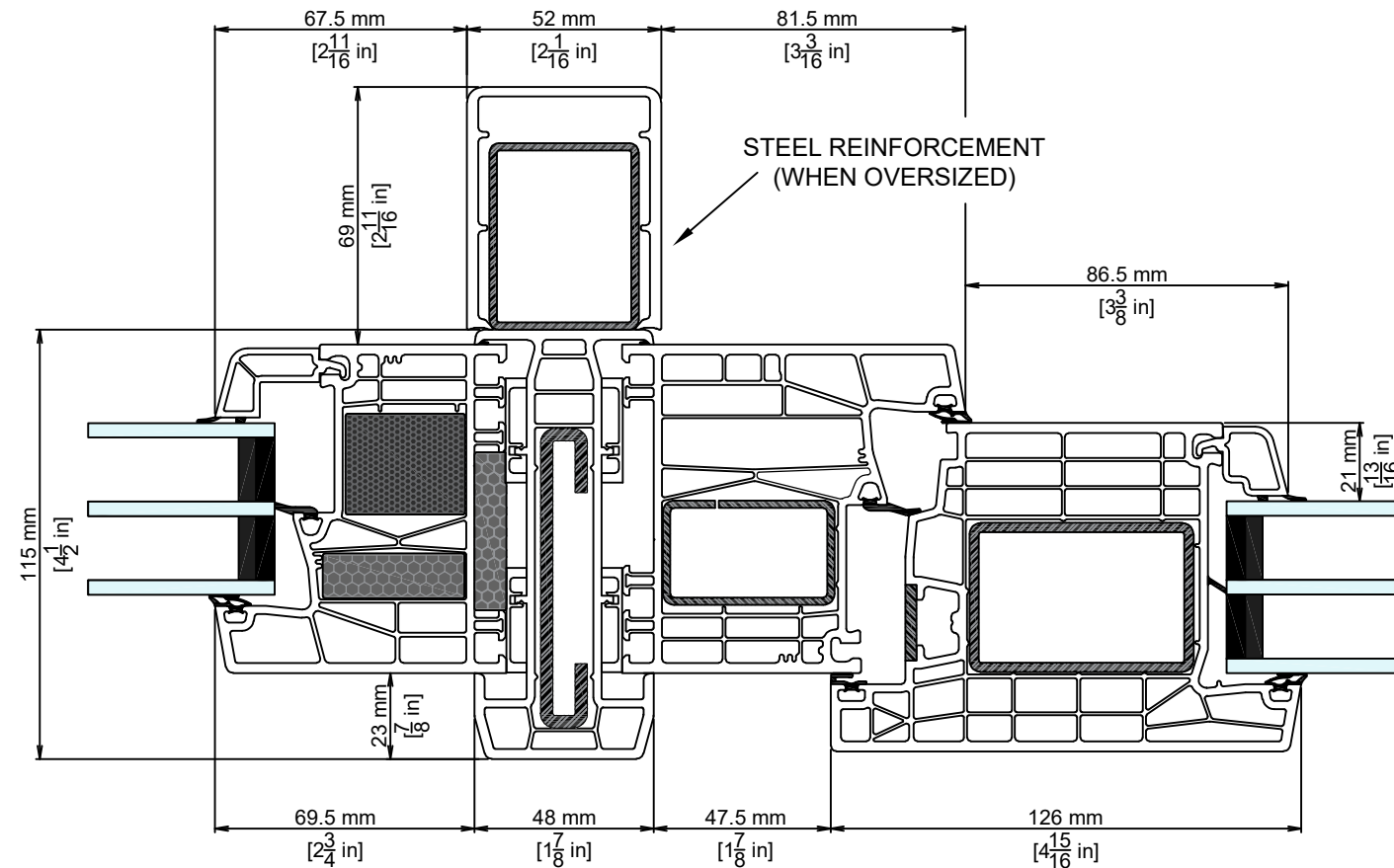
GLASS: TRIPLE GLAZED
SCALE: 1:2
DRAWN BY: J.IMBERY

2 of 4

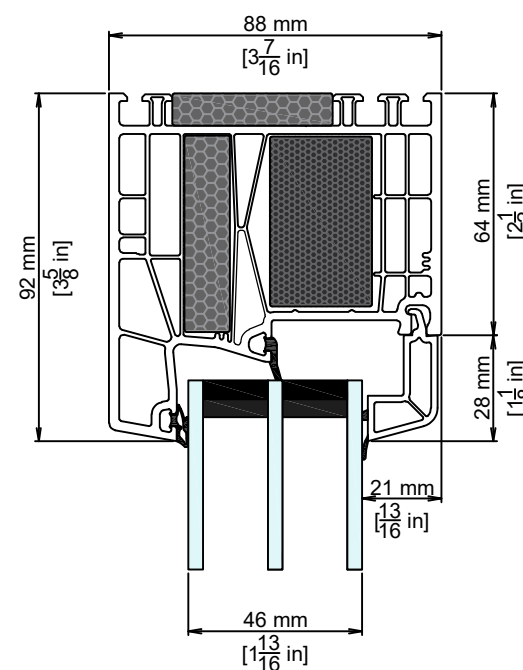
6 ZERO COUPLER AT SASH



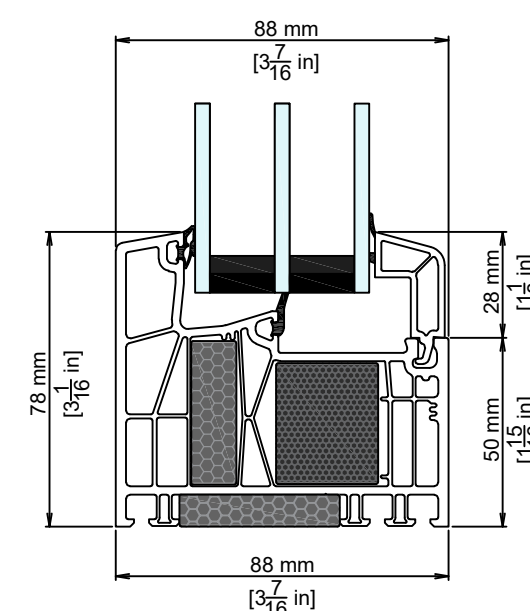
7 H-COUPLER AT FIXED/SASH



8 HEAD & JAMB AT FIXED



9 SILL AT FIXED

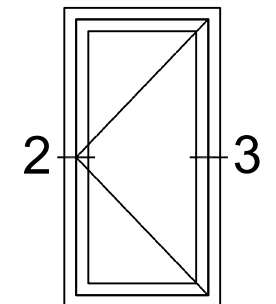


PRODUCT SERIES:

DEFENDER 88TS

DOOR CONFIGURATIONS
(AS VIEWED FROM EXTERIOR)

CLEAR OPENING



REVISIONS

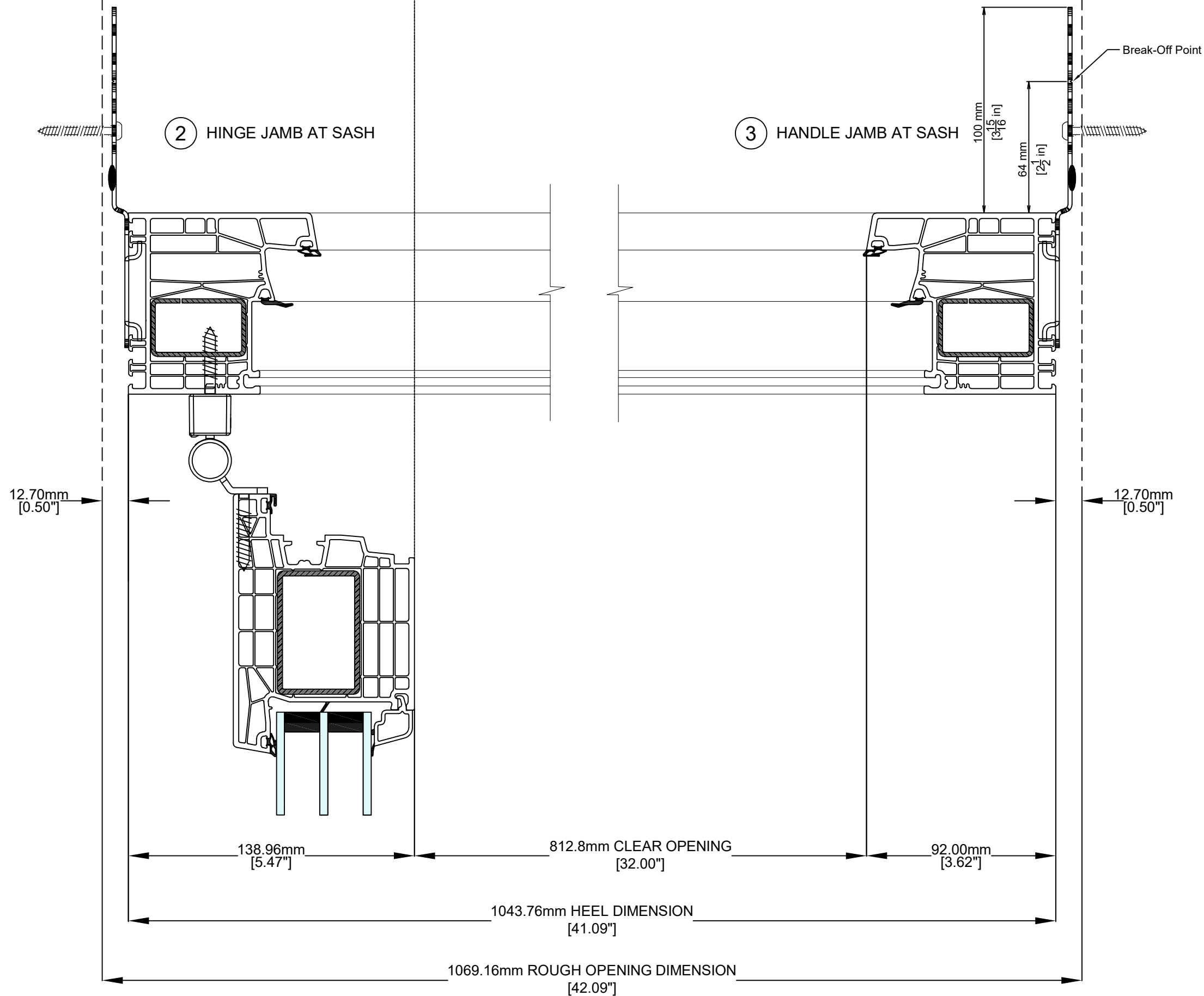
NO.	DATE	DESCRIPTION
5.0	5/25/2022	INSULATION CHANGES
6.0	9/27/2022	CLEAR OPENING DRAWING ADDITION
7.0	10/31/2023	DIMENSION ADDITIONS
8.0	2/14/2025	HATCHING CHANGES
9.0	8/1/2025	ZERO COUPLER & HANDLE DETAIL ADDED
10.0	5/13/2026	DIMENSIONS ADDED

DRAWING TYPE:
OUTSWING ENTRY DOORS

PAGE:

GLASS: TRIPLE GLAZED SCALE: 1:2 DRAWN BY: J.IMBERY

3 of 4

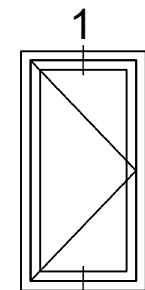


PRODUCT SERIES:

DEFENDER 88TS

DOOR CONFIGURATIONS
(AS VIEWED FROM EXTERIOR)

CLEAR OPENING



10,11

REVISIONS

NO.	DATE	DESCRIPTION
5.0	5/25/2022	INSULATION CHANGES
6.0	9/27/2022	CLEAR OPENING DRAWING ADDITION
7.0	10/31/2023	DIMENSION ADDITIONS
8.0	2/14/2025	HATCHING CHANGES
9.0	8/1/2025	ZERO COUPLER & HANDLE DETAIL ADDED
10.0	5/13/2026	DIMENSIONS ADDED

DRAWING TYPE:
OUTSWING ENTRY DOORS

PAGE:

GLASS: TRIPLE GLAZED SCALE: 1:2.5 DRAWN BY: J.IMBERY

4 of 4

